



Dimension and Specification Handbook



Important Safety Instructions-All Models



© 2017 Jacuzzi Hot Tubs. Jacuzzi may make product modifications and enhancements. Therefore, specifications may change without notice. Dimensions are approximate and for reference only.



CAUTION: ALWAYS MEASURE EACH SPA FOR EXACT DIMENSIONS BEFORE DESIGNING ITS FOUNDATIONAL SUPPORT AND/OR DECKING.



When designing a foundational support, always account for the following load factors:

1. Filled spa weight, plus (+)
2. Combined occupant weight at the maximum seating capacity, plus (+)
3. Weight of the support decking, when applicable.



The technical data given in this publication is for reference only. It implies no warranty of kind.



Dimensions/Specifications subject to change without notice. Spa operation subject to change without notice.

Table of Contents

Jacuzzi J-500 Collection Hot Tubs	7
<i>J-575 Specifications</i>	<i>7</i>
<i>J-575 Operations</i>	<i>8</i>
<i>J-575 Dimensions</i>	<i>9</i>
<i>J-585 Specifications</i>	<i>10</i>
<i>J-585 Operations</i>	<i>11</i>
<i>J-585 Dimensions</i>	<i>12</i>
Jacuzzi J-400 Collection Hot Tubs	13
<i>J-495 Specifications</i>	<i>13</i>
<i>J-495 Operations</i>	<i>14</i>
<i>J-495 Dimensions</i>	<i>15</i>
<i>J-480 Specifications</i>	<i>16</i>
<i>J-480 Operations</i>	<i>17</i>
<i>J-480 dimensions</i>	<i>18</i>
<i>J-470 Specifications</i>	<i>19</i>
<i>J-470 Operations</i>	<i>20</i>
<i>J-470 Dimensions</i>	<i>21</i>
<i>J-465 Specifications</i>	<i>22</i>
<i>J-465 Operations</i>	<i>23</i>
<i>J-465 Dimensions</i>	<i>24</i>
<i>J-425 Specifications</i>	<i>25</i>
<i>J-425 Operations</i>	<i>26</i>
<i>J-425 Dimensions</i>	<i>27</i>
<i>J-415 Specifications</i>	<i>28</i>
<i>J-415 Operations</i>	<i>29</i>
<i>J415 Dimensions</i>	<i>30</i>
Jacuzzi J-LX Collection Hot Tubs	31
<i>J-LXL Specifications</i>	<i>31</i>
<i>J-LXL Operations</i>	<i>32</i>
<i>J-LXL Dimensions</i>	<i>33</i>

Table of Contents

J-LX Specifications	34
J-LX Operations.....	35
J-LX Dimensions	36
Jacuzzi J-300 Collection Hot Tubs.....	37
J-385 Specifications	37
J-385 Operations	38
J-385 Dimensions.....	39
J-375 Specifications	40
J-375 Operations	41
J-375 Dimensions.....	42
J-365 Specifications	43
J-365 Operations	44
J-365 Dimensions.....	45
J-355 Specifications	46
J-355 Operations	47
J-355 Operations	48
J-345 Specifications	49
J-345 Operations	50
J-345 Dimensions.....	51
J-335 Specifications	52
J-335 Operations	53
J-335 Dimensions.....	54
J-325 Specifications	55
J-325 Operations	56
J-325 Dimensions.....	57
J-315 Specifications	58
J-315 Operations	59
J-315 Dimensions.....	60

Table of Contents

Jacuzzi J-200 Collection Hot Tubs.....	61
J-280 Specifications	61
J-280 Operations	62
J-280 Dimensions.....	63
J-275 Specifications	64
J-275 Operations	65
J-275 Dimensions.....	66
J-245 Specifications	67
J-245 Operations	68
J-245 Dimensions.....	69
J-235 Specifications	70
J-235 Operations	71
J-235 Dimensions.....	72
J-225 Specifications	73
J-225 Operations	74
J-225 Dimensions.....	75
J-215 Specifications	76
J-215 Operations	77
J-215 Dimensions.....	78
J-210 Specifications	79
J-210 Operations	80
J-210 Dimensions.....	81
Jacuzzi J-100 Collection Hot Tubs.....	82
J-145 Specifications	82
J-145 Operations	83
J-145 Dimensions.....	84
J-135 Specifications	85
J-135 Operations	86
J-135 Dimensions.....	87

J-125 Specifications 88
 J-125 Operations 89
 J-125 Dimensions..... 90

J-115 Specifications 91
 J-115 Operations 92
 J-115 Dimensions..... 93

Complete Dimensions-All J500 Collection Models 94

Complete Dimensions-All J400 Collection Models 95

Complete Dimensions-All J-LX Collection Models 97

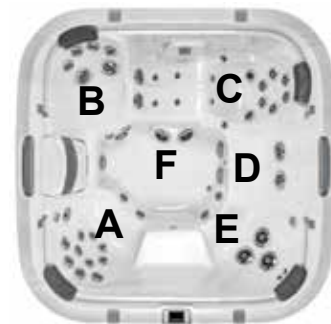
Complete Dimensions-All J300 Collection Models 98

Complete Dimensions-All J200 Collection Models 99

Complete Dimensions-All J100 Collection Models 100

Jacuzzi J-575

Seating Capacity	5-6 Adults
Dimensions	91" x 91" x 37.5" Front/42" Side, (231.0 cm x 231.0 cm x 92 cm Front/107.0 cm Side); For complete dimensions, See page 94
Dry Weight	898 lbs (407 kg)
Filled Weight (Spa Volume)	5,446 lbs (2,470 kg)
Filled Weight (Average Fill)	4,612 lbs (2,092 kg)
Water Capacity (Spa Volume)	545 US gallons (2,063 Liters)
Water Capacity (Average Fill)	445 US gallons (1,685 Liters)
Electronic Controls	ProTouch™ Glass user interface. Touch-screen LCD displays temperature, time, cycles and jet control. Offers customizing of filtration cycles, CLEARRAY on demand, cleaning cycles and water temperature setting.
Pump 1	North America (60 Hz): 1-Speed, 5.1 HP break, 2.5 HP continuous, 56 Frame Export (50 Hz):1-Speed, 2.0 HP continuous
Pump 2	North America (60 Hz): 1-Speed, 5.1 HP break, 2.5 HP continuous, 56 Frame Export (50 Hz):1-Speed, 2.0 HP continuous
Circulation Pump	Yes, 8-Hour
Total PowerPro Jets	49
Seat A Jets	6 PowerPro FX Rotational, 6 PowerPro FX
Seat B Jets	6 PowerPro FX Rotational, 2 PowerPro FX Large Rotational
Seat C Jets	6 PowerPro RX, 2 PowerPro HX, 8 PowerPro PX, 2 PowerPro FX Large Rotational
Seat D Jets	2 PowerPro FX Large Rotational
Seat E Jets	3 PowerPro MX2, 2 PowerPro NX2, 2 PowerPro FX Rotational
Footwell (F)	2 PowerPro MX2
Massage Selectors	2
Air Controls	4
Water Management System	One ProClarity 40 ft ² filter cartridge and 1 ProClarity depth load filter on 8-hour circulation pump; one ProCatch bag with ProClear 60 ft ² filter; Floating Weir; Factory installed CLEARRAY® Water Purification System Export (50 Hz):Factory installed CLEARRAY® Water Purification System
LED Lighting	Exterior corners lights, ProEdge™ interior lighting, two waterfall lights, one footwell light
Synthetic Cabinet Colors	Silverwood, Roasted Chestnut
Acrylic Colors	Platinum, Silver Pearl (Gypsum), Desert Sand, Monaco, Opal, Midnight, Sahara, Sandstone, Porcelain
Headrests	4
Waterfalls	Two with independent flow rate (on or off) adjustment; powered by 8-hour circulation pump
Electrical Requirements:	North America (60 Hz): 240 VAC@40A, 50A, or 60A Export (50 Hz): 230-240 VAC@2x16A or suitably rated circuit breaker to comply with local electrical codes. Certain countries may require dual power inputs; two GFCI RCD breakers are required for this configuration.
Warranty*	North America (60 Hz): 10 Years Shell, 7 Years Shell Surface, 5 Years Plumbing Component Leaks, 5 Years Equipment and Controls, 5 Years Cabinet, 2 Years Jets, 2 Years Lights, 1 Year Stereo; Export (50 Hz): 10 Years Shell, 7 Years Shell Surface, 2 Years Plumbing Component Leaks, 2 Years Equipment and Controls, 2 Years Cabinet, 2 Years Jets, 2 Years Lights, 1 Year Stereo
Special Features	Factory installed ProLink™ remote monitoring system
Audio System (Optional)	BLUEWAVE® 2.0 Wireless Spa Stereo System with Aux 3.5 mm jack port and Bluetooth capability; 4 single driver speakers and a powered subwoofer



*(See Warranty Document for Specific Details)

Dimensions/Specifications are Subject to Change Without Notice

Jacuzzi J-575

Massage Selector/Air Control Diagram

- Jets C are powered at all times when pump 1 is running

Massage Selector 2:
Directs Jets Pump 2 output between jets D or E

Air Control 2:
Opens/Closes air inlet to jets D

Air Control 3:
Opens/Closes air inlet to jets E

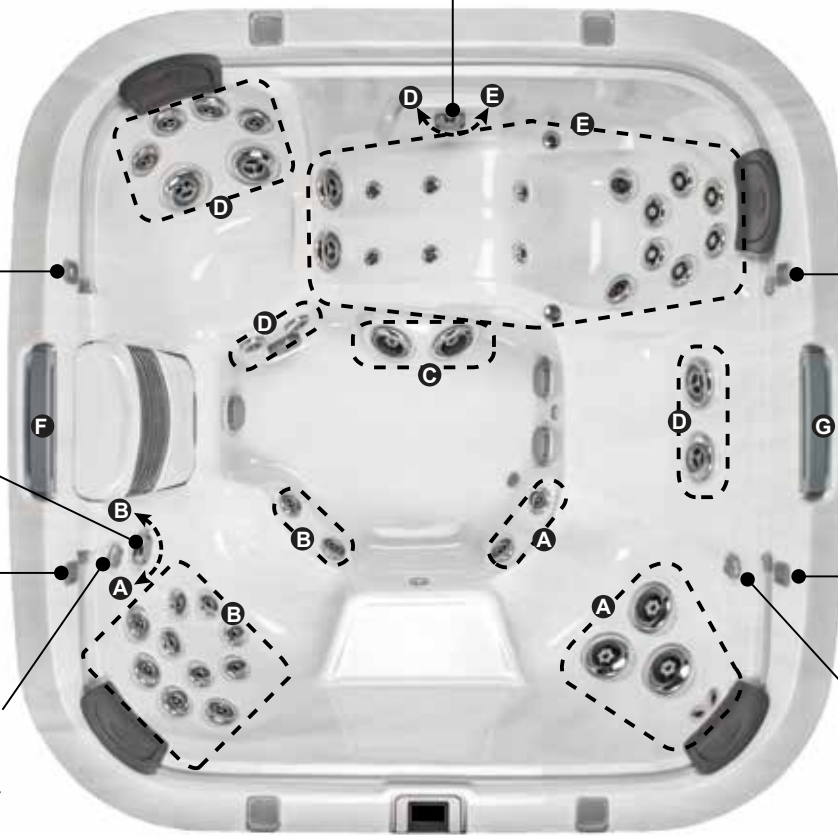
Massage Selector 1:
Directs Jets Pump 1 output between jets A or B

Air Control 1:
Opens/Closes air inlet to jets B

Air Control 4:
Opens/Closes air inlet to jets A and C

Waterfall Control:
Controls 8-Hour circulation pump output to waterfall F

Waterfall Control:
Controls 8-Hour circulation pump output to waterfall G



49 Total Jets



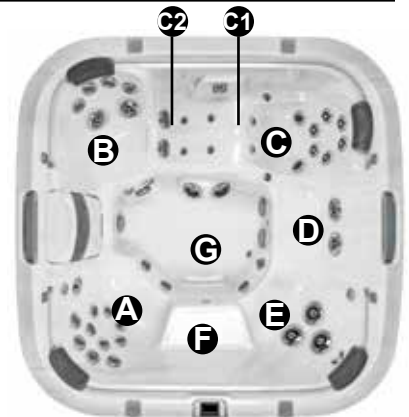
Spa Operation Subject to Change without Notice

Seat Depths

- A = 27.50" (69.85 cm)**
- B = 23.50" (59.69 cm)**
- C = 27.00" (68.58 cm)**
- D = 21.50" (54.61 cm)**
- E = 24.75" (62.87 cm)**
- F = 18.25" (46.36 cm)**

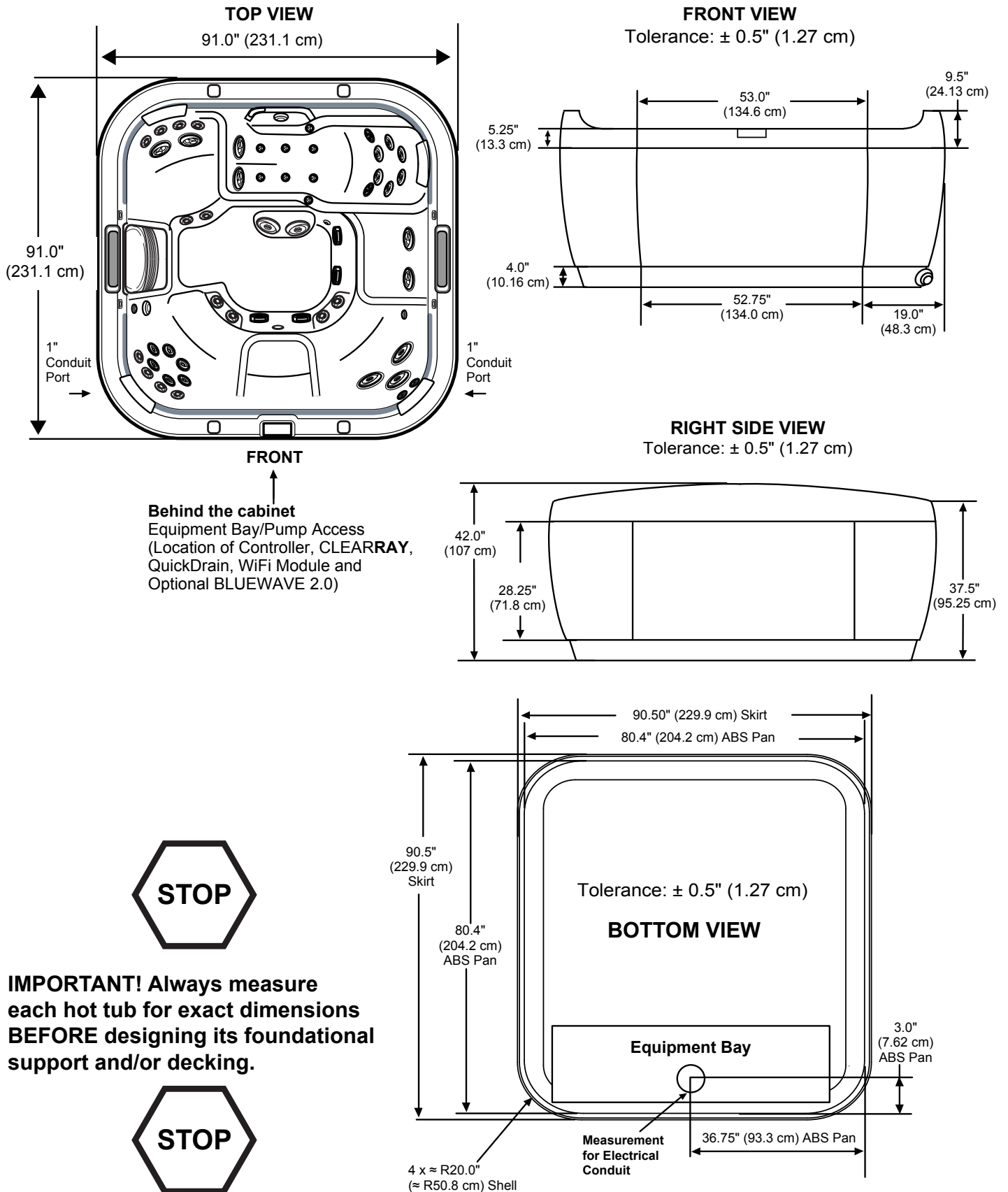
- G = 33.25" (84.46 cm)**
- C1 = 17.75" (45.09 cm)**
- C2 = 24.75" (62.87 cm)**

Listed dimensions represent distance from top of acrylic to lowest point in seat. **Tolerance ± 0.5" (1.27 cm).**



Dimensions/Specifications are Subject to Change Without Notice

Jacuzzi J-575

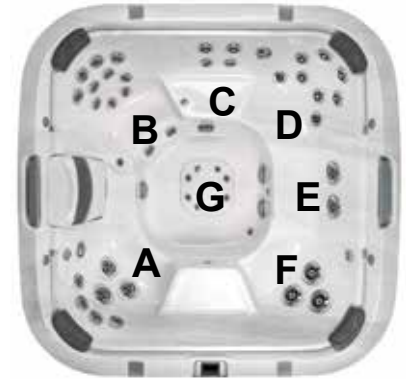


IMPORTANT! Always measure each hot tub for exact dimensions BEFORE designing its foundational support and/or decking.



Jacuzzi J-585

Seating Capacity	6-7 Adults
Dimensions	91" x 91" x 37.5" Front/42" Side, (231.0 cm x 231.0 cm x 92 cm Front/107.0 cm Side); For complete dimensions, See page 94
Dry Weight	897 lbs (407 kg)
Filled Weight (Spa Volume)	5,403 lbs (2,451 kg)
Filled Weight (Average Fill)	4,569 lbs (2,072 kg)
Water Capacity (Spa Volume)	540 US gallons (2,044 Liters)
Water Capacity (Average Fill)	440 US gallons (1,666 Liters)
Electronic Controls	ProTouch™ Glass user interface. Touch-screen LCD displays temperature, time, cycles and jet control. Offers customizing of filtration cycles, CLEARRAY on demand, cleaning cycles and water temperature setting.
Pump 1	North America (60 Hz): 1-Speed, 5.1 HP break, 2.5 HP continuous, 56 Frame Export (50 Hz):1-Speed, 2.0 HP continuous
Pump 2	North America (60 Hz): 1-Speed, 5.1 HP break, 2.5 HP continuous, 56 Frame Export (50 Hz):1-Speed, 2.0 HP continuous
Circulation Pump	Yes, 8-Hour
Total PowerPro Jets	46
Seat A Jets	4 PowerPro FX Rotational, 3 PowerPro FX Large Rotational
Seat B Jets	6 PowerPro FX Rotational, 6 PowerPro FX, 2 PowerPro PX
Seat C Jets	2 PowerPro RX, 2 PowerPro FX
Seat D Jets	6 PowerPro RX, 2 PowerPro FX Directional
Seat E Jets	2 PowerPro FX Large Rotational
Seat F Jets	3 PowerPro MX2
Footwell (G)	8 PowerPro FX Small
Massage Selectors	2
Air Controls	4
Water Management System	One ProClarity 40 ft ² filter cartridge and 1 ProClarity depth load filter on 8-hour circulation pump; one ProCatch bag with ProClear 60 ft ² filter; Floating Weir; Factory installed CLEARRAY® Water Purification System Export (50 Hz):Factory installed CLEARRAY® Water Purification System
LED Lighting	Exterior corner lights, ProEdge™ interior lighting, two waterfall lights, one footwell light
Synthetic Cabinet Colors	Silverwood, Roasted Chestnut
Acrylic Colors	Platinum, Silver Pearl (Gypsum), Desert Sand, Monaco, Opal, Midnight, Sahara, Sandstone, Porcelain
Headrests	4
Waterfalls	Two with independent flow rate (on or off) adjustment; powered by 8-hour circulation pump
Electrical Requirements:	North America (60 Hz): 240 VAC@40A, 50A, or 60A Export (50 Hz): 230-240 VAC@2x16A or suitably rated circuit breaker to comply with local electrical codes. Certain countries may require dual power inputs; two GFCI RCD breakers are required for this configuration.
Warranty*	North America (60 Hz): 10 Years Shell, 7 Years Shell Surface, 5 Years Plumbing Component Leaks, 5 Years Equipment and Controls, 5 Years Cabinet, 2 Years Jets, 2 Years Lights, 1 Year Stereo; Export (50 Hz): 10 Years Shell, 7 Years Shell Surface, 2 Years Plumbing Component Leaks, 2 Years Equipment and Controls, 2 Years Cabinet, 2 Years Jets, 2 Years Lights, 1 Year Stereo
Special Features	Factory installed ProLink™ remote monitoring system
Audio System (Optional)	BLUEWAVE® 2.0 Wireless Spa Stereo System with Aux 3.5 mm jack port and Bluetooth capability; 4 single driver speakers and a powered subwoofer



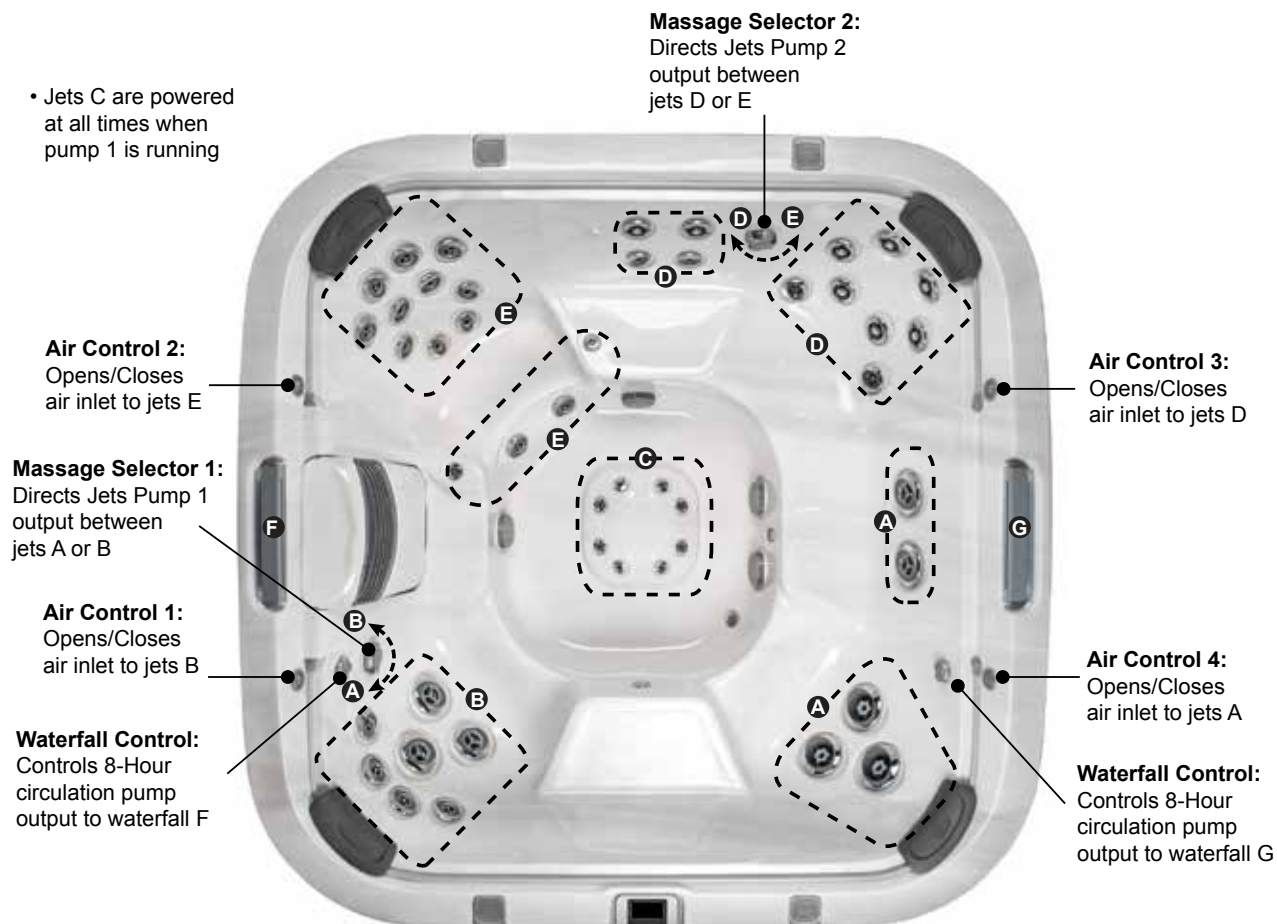
*(See Warranty Document for Specific Details)

Dimensions/Specifications are Subject to Change Without Notice

Jacuzzi J-585

Massage Selector/Air Control Diagram

- Jets C are powered at all times when pump 1 is running



46 Total Jets



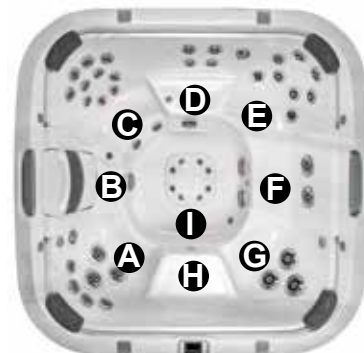
Spa Operation Subject to Change without Notice

Seat Depths

A = 26.63" (67.64 cm)
B = 21.00" (53.34 cm)
C = 27.00" (68.58 cm)
D = 20.00" (50.80 cm)
E = 23.00" (58.42 cm)
F = 21.38" (54.31 cm)

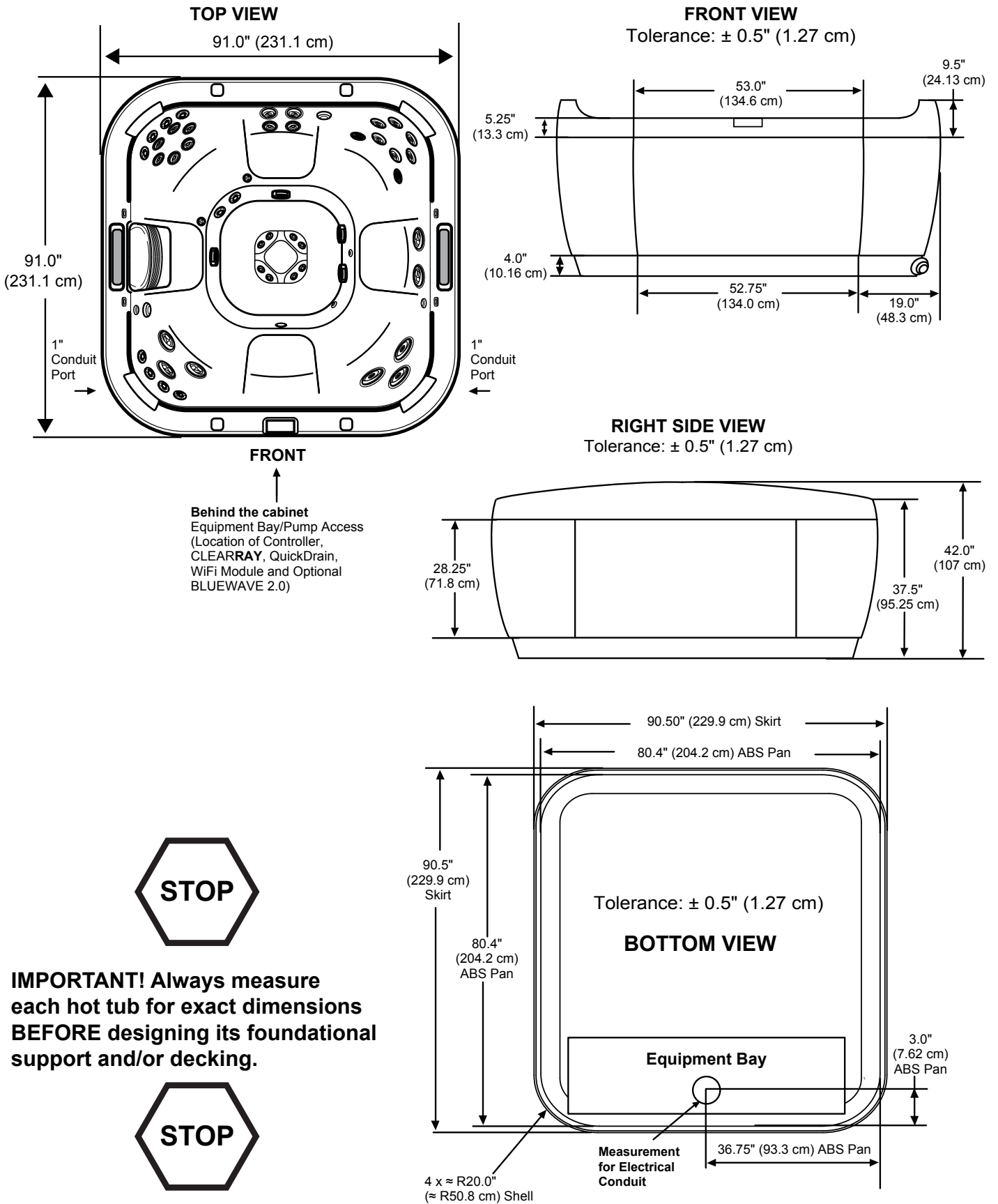
G = 24.50" (62.23 cm)
H = 20.13" (51.13 cm)
I = 33.00" (83.82 cm)

Listed dimensions represent distance from top of acrylic to lowest point in seat. **Tolerance ± 0.5" (1.27 cm).**



Dimensions/Specifications are Subject to Change Without Notice


Jacuzzi J-585



IMPORTANT! Always measure each hot tub for exact dimensions BEFORE designing its foundational support and/or decking.



Jacuzzi J-495

Seating Capacity	8-9 Adults	
Dimensions	90" x 110" x 41" Front/46" Back, (228.6 cm x 279.4 cm x 104.14 cm Front/116 cm Back); For complete dimensions, See page 95	
Dry Weight	1,139 lbs (517 kg)	
Filled Weight (Spa Volume)	6,310 lbs (2,862 kg)	
Filled Weight (Average Fill)	5,476 lbs (2,484 kg)	
Water Capacity (Spa Volume)	620 US gallons (2,347 Liters)	
Water Capacity (Average Fill)	520 US gallons (1,968 Liters)	
Electronic Controls	Touch LCD control panel, user interface displays temperature, time, cycles and fingertip jet control. Offers customizing of preprogrammed filtration cycles, heating modes and water temperature setting.	
Pump 1	North America (60 Hz): 1-Speed, 5.1 HP break, 2.5 HP continuous, 56 Frame	
Export (50 Hz):	1-Speed, 2.0 HP continuous	
Pump 2	North America (60 Hz): 1-Speed, 5.1 HP break, 2.5 HP continuous, 56 Frame	
Export (50 Hz):	1-Speed, 2.0 HP continuous	
Pump 3	North America (60 Hz): 1-Speed, 5.1 HP break, 2.5 HP continuous, 56 Frame	
Export (50 Hz):	1-Speed, 2.0 HP continuous	
Circulation Pump	Yes, 8-Hour	
Total PowerPro Jets	62	
Seat A Jets	4 PowerPro NX2, 4 PowerPro FX, 7 PowerPro RX	
Seat B Jets	4 PowerPro FX	
Seat C Jets	4 PowerPro RX	
Seat D Jets	2 PowerPro NX2, 2 PowerPro FX, 3 PowerPro MX2	
Seat E Jets	2 PowerPro FX Large Rotational	
Seat F Jets	2 PowerPro NX2, 6 PowerPro FX, 6 PowerPro FX Rotational	
Seat G Jet	1 PowerPro FX Large	
Seat H Jets	2 PowerPro NX2, 2 PowerPro FX, 2 PowerPro FX Large Rotational	
Footwell (I)	8 PowerPro FX Small	
Center Footwell (J)	1 PowerPro IX, with independent valve control and multi-colored LED light illumination	
Massage Selectors	2	
Air Controls	5	
Water Management System	One ProClarity 40 ft ² filter cartridge and 1 ProClarity depth load filter on 8-hour circulation pump; one ProCatch bag with ProClear 60 ft ² filter; Floating Weir; Factory installed CLEARARRAY® Water Purification System	
Export (50 Hz):	Factory installed CLEARARRAY® Water Purification System	
LED Lighting	One IX footwell jet, two waterfall lights, cupholders, pillows, and indicator light	
Synthetic Cabinet Colors	Silverwood, Roasted Chestnut, and Brazilian Teak	
Acrylic Colors	Platinum, Silver Pearl (Gypsum), Sahara, Desert Sand, Monaco	
Headrests	4	
Waterfalls	Two with independent flow rate (on or off) adjustment; powered by 8-hour circulation pump	
Electrical Requirements:	North America (60 Hz): 240 VAC@40A, 50A, or 60A Export (50 Hz): 230-240 VAC@ 1x40A, 1x32A/1x16A, 1x16A/1x16A/1x16A or suitably rated circuit breaker to comply with local electrical codes. Certain countries may require dual power inputs; two GFCI RCD breakers are required for this configuration.	
Warranty*	North America (60 Hz): 10 Years Shell, 7 Years Shell Surface, 5 Years Plumbing Component Leaks, 5 Years Equipment and Controls, 5 Years Cabinet, 2 Years Jets, 2 Years Lights, 1 Year Stereo; Export (50 Hz): 10 Years Shell, 7 Years Shell Surface, 2 Years Plumbing Component Leaks, 2 Years Equipment and Controls, 2 Years Cabinet, 2 Years Jets, 2 Years Lights, 1 Year Stereo	
Special Features (Optional)	ProLink™ remote monitoring system	
Audio System (Optional)	BLUEWAVE® 2.0 Spa Stereo System with Bluetooth capability and Aux 3.5 mm headphone jack port; 4 premium speakers, a powered subwoofer	

*(See Warranty Document for Specific Details)

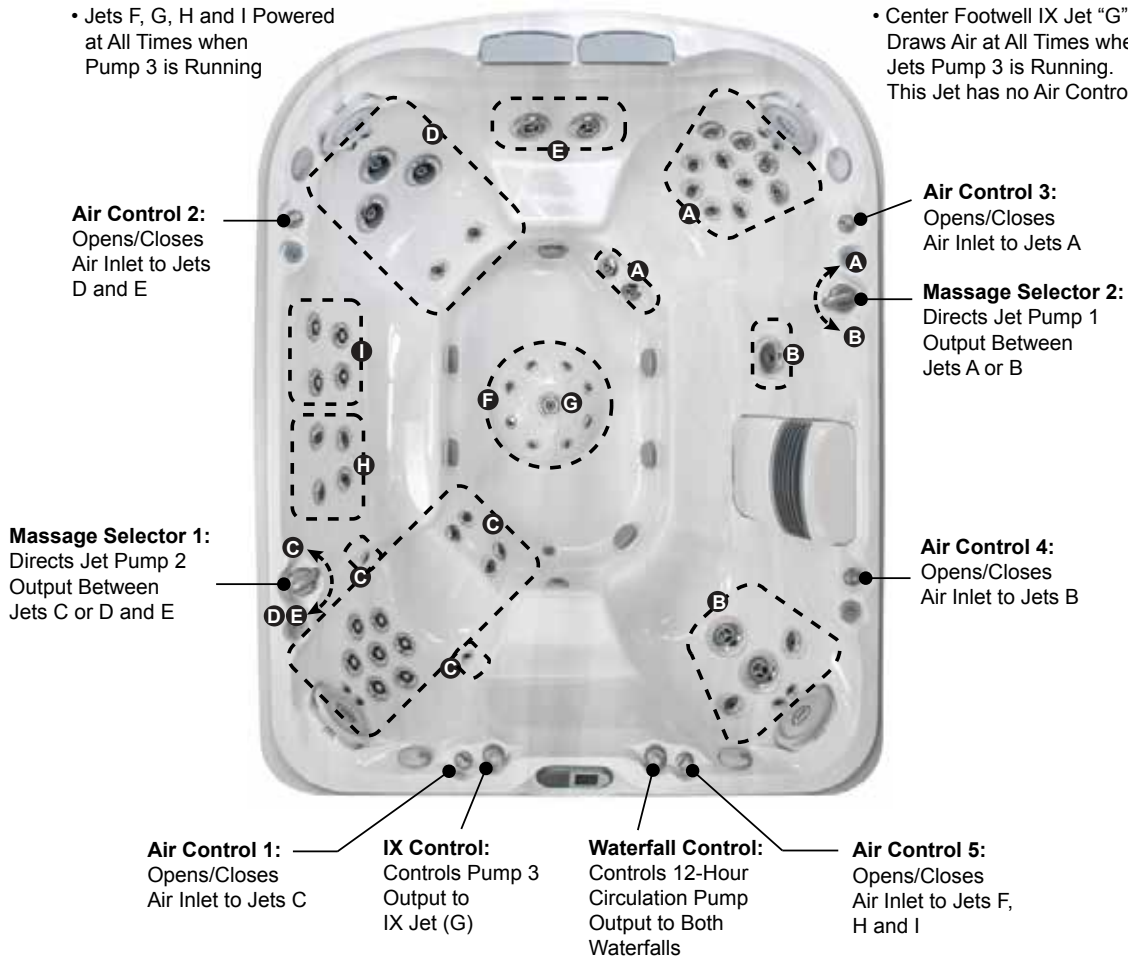
Dimensions/Specifications are Subject to Change Without Notice

Jacuzzi J-495

Massage Selector/Air Control Diagram

• Jets F, G, H and I Powered at All Times when Pump 3 is Running

• Center Footwell IX Jet "G" Draws Air at All Times when Jets Pump 3 is Running. This Jet has no Air Control



62 Total Jets

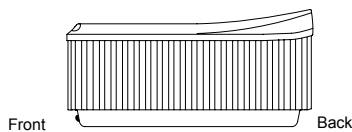


Spa Operation Subject to Change without Notice

Seat Depths

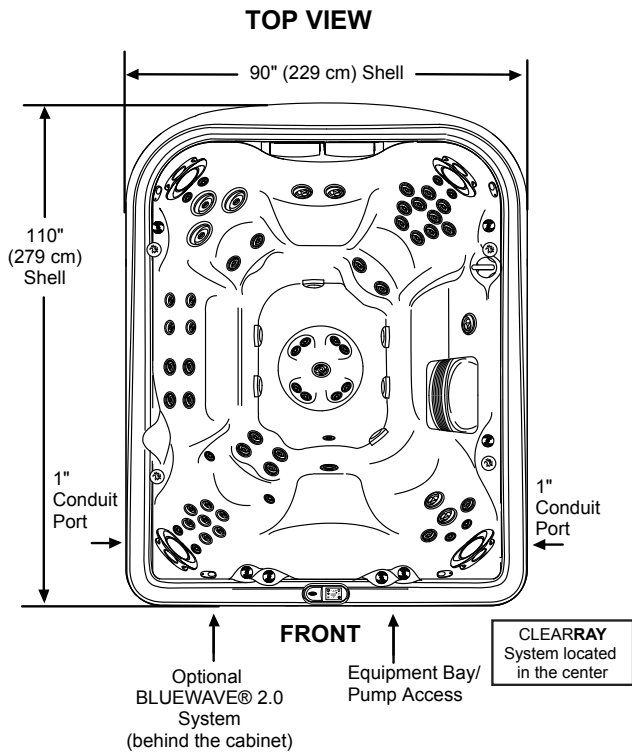
- A = 25.63" (65.10 cm)**
- B = 21.50" (54.61 cm)**
- C = 21.50" (54.61cm)**
- D = 28.75" (73.03 cm)**
- E = 23.25" (59.06 cm)**
- F = 29.50" (74.93 cm)**
- G = 22.88" (58.12 cm)**
- H = 26.38" (67.00 cm)**
- I = 17.38" (44.15 cm)**
- J = 34.00" (86.36 cm)**

Listed dimensions represent distance from top of acrylic to lowest point in seat. **Tolerance $\pm 0.5"$ (1.27 cm).**

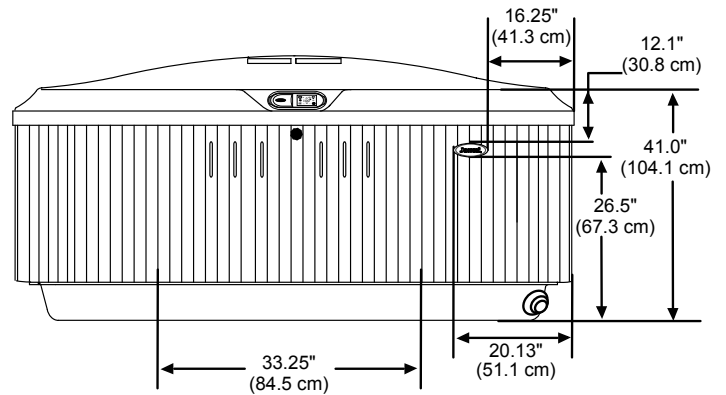


Dimensions/Specifications are Subject to Change Without Notice

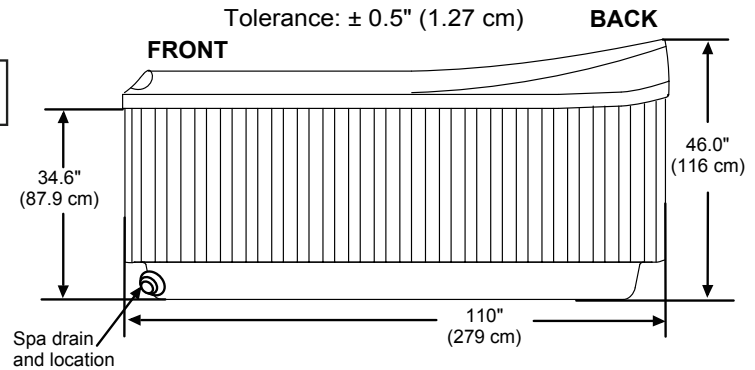
Jacuzzi J-495



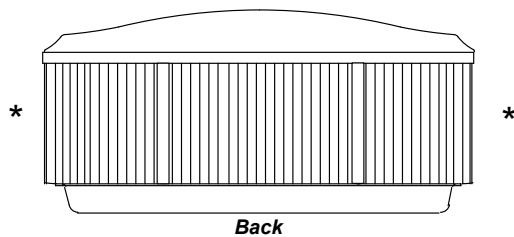
FRONT VIEW
(Front view of stereo option shown)
Tolerance: $\pm 0.5"$ (1.27 cm)



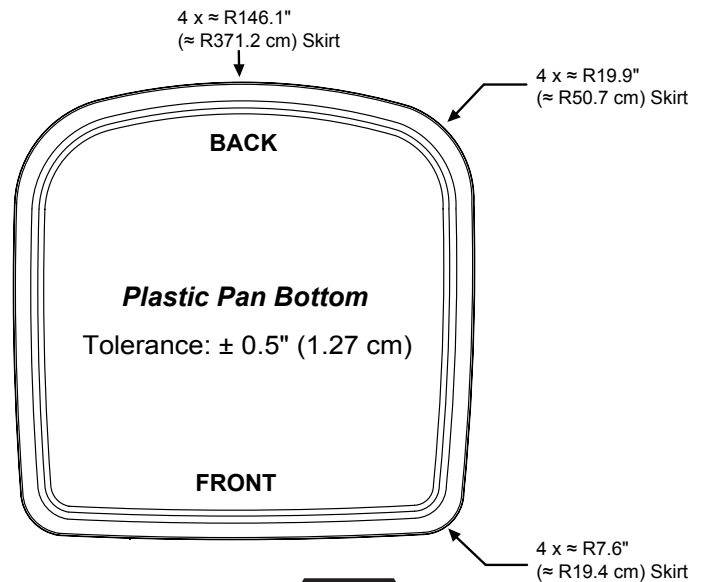
RIGHT SIDE VIEW
Tolerance: $\pm 0.5"$ (1.27 cm)



Important Panel Access Details



***Note:** Side panels utilize a wrap-around design which meets at the back of the spa. For serviceability, always allow for full side and back panel access.




IMPORTANT! Always measure each hot tub for exact dimensions **BEFORE** designing its foundational support and/or decking.



Dimensions/specifications subject to change without notice. Tolerance: $\pm 0.5"$ (1.27 cm)

Jacuzzi J-480

Seating Capacity	6 Adults	
Dimensions	94" x 94" x 39" Front/44" Back, (239 cm x 239 cm x 99 cm Front/112 cm Back); For complete dimensions, See page 95	
Dry Weight	1,001 lbs (454 kg)	
Filled Weight (Spa Volume)	6,005 lbs (2,724 kg)	
Filled Weight (Average Fill)	5,004 lbs (2,270 kg)	
Water Capacity (Spa Volume)	600 US gallons (2,271 Liters)	
Water Capacity (Average Fill)	480 US gallons (1,817 Liters)	
Electronic Controls	Touch LCD control panel, user interface displays temperature, time, cycles and fingertip jet control. Offers customizing of preprogrammed filtration cycles, heating modes and water temperature setting.	
Pump 1	North America (60 Hz): 1-Speed, 5.1 HP break, 2.5 HP continuous, 56 Frame Export (50 Hz): 1-Speed, 2.0 HP continuous	
Pump 2	North America (60 Hz): 1-Speed, 5.1 HP break, 2.5 HP continuous, 56 Frame Export (50 Hz): 1-Speed, 2.0 HP continuous	
Circulation Pump	Yes, 8-Hour	
Total PowerPro Jets	52	
Seat A Jets	6 PowerPro FX, 2 PowerPro FX Large Rotational	
Seat B Jets	2 PowerPro NX2, 3 PowerPro MX2	
Seat C Jets	2 PowerPro FX Large Rotational	
Seat D Jets	2 PowerPro NX2, 6 PowerPro FX, 6 PowerPro FX Rotational	
Seat E Jets	6 PowerPro RX, 6 PowerPro PX, 2 PowerPro FX Large Rotational	
Footwell (F)	8 PowerPro FX Small	
Center Footwell (G)	1 PowerPro IX, with independent valve control and multi-colored LED light illumination	
Massage Selectors	2	
Air Controls	4	
Water Management System	One ProClarity 40 ft ² filter cartridge and 1 ProClarity depth load filter on 8-hour circulation pump; one ProCatch bag with ProClear 60 ft ² filter; Floating Weir; Factory installed CLEARRAY® Water Purification System Export (50 Hz): Factory installed CLEARRAY® Water Purification System	
LED Lighting	One IX footwell jet, two waterfall lights, cupholders, pillows and indicator light	
Synthetic Cabinet Colors	Silverwood, Roasted Chestnut, and Brazilian Teak	
Acrylic Colors	Platinum, Silver Pearl (Gypsum), Desert Sand, Monaco, Opal, Midnight, Sahara, Sandstone, Porcelain	
Headrests	4	
Waterfalls	Two with independent flow rate (on or off) adjustment; powered by 8-hour circulation pump	
Electrical Requirements:	North America (60 Hz): 240 VAC@40A, 50A, or 60A Export (50 Hz): 230-240 VAC@ 1x40A, 1x32A/1x16A, 1x16A/1x16A/1x16A or suitably rated circuit breaker to comply with local electrical codes. Certain countries may require dual power inputs; two GFCI RCD breakers are required for this configuration.	
Warranty*	North America (60 Hz): 10 Years Shell, 7 Years Shell Surface, 5 Years Plumbing Component Leaks, 5 Years Equipment and Controls, 5 Years Cabinet, 2 Years Venetian Stone Cabinet, 2 Years Jets, 2 Years Lights, 1 Year Stereo; Export (50 Hz): 10 Years Shell, 7 Years Shell Surface, 2 Years Plumbing Component Leaks, 2 Years Equipment and Controls, 2 Years Cabinet, 2 Years Jets, 2 Years Lights, 1 Year Stereo	
Special Features (Optional)	ProLink™ remote monitoring system	
Audio System (Optional)	BLUEWAVE® 2.0 Spa Stereo System with Bluetooth capability and Aux 3.5 mm headphone jack port; 4 premium speakers, a powered subwoofer	

*(See Warranty Document for Specific Details)

Dimensions/Specifications are Subject to Change Without Notice

Jacuzzi J-480

Massage Selector/Air Control Diagram

• Jets E and F Powered at All Times when Pump 1 is Running

• Center Footwell IX Jet "G"
Draws Air at All Times when Jets Pump 2 is Running.
This Jet has no Air Control



52 Total Jets

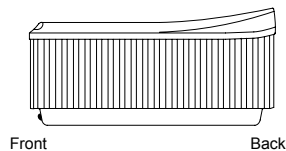


Spa Operation Subject to Change without Notice

Seat Depths

- A = 29.00" (73.66 cm)**
- B = 26.00" (66.04 cm)**
- C = 30.00" (76.20 cm)**
- D = 28.25" (71.76 cm)**
- E = 26.33" (66.88 cm)**
- F = 17.75" (45.09 cm)**

- G = 26.25" (66.68 cm)**
- H = 32.50" (82.55 cm)**



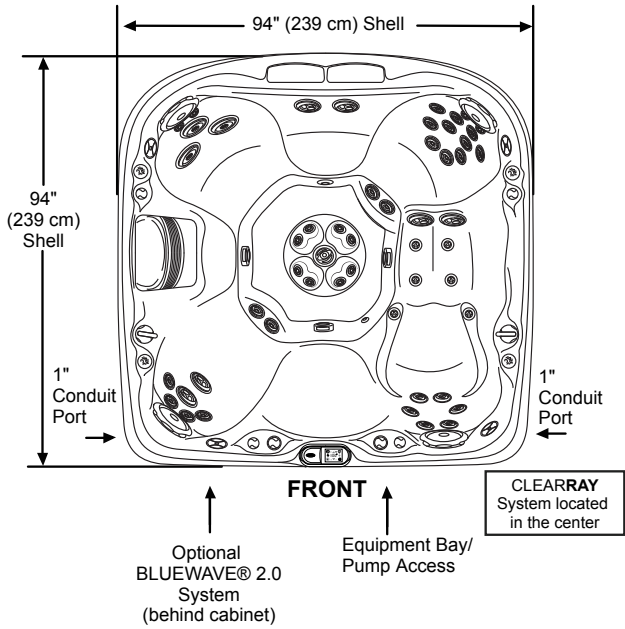
Listed dimensions represent distance from top of acrylic to lowest point in seat.
Tolerance ± 0.5" (1.27 cm).



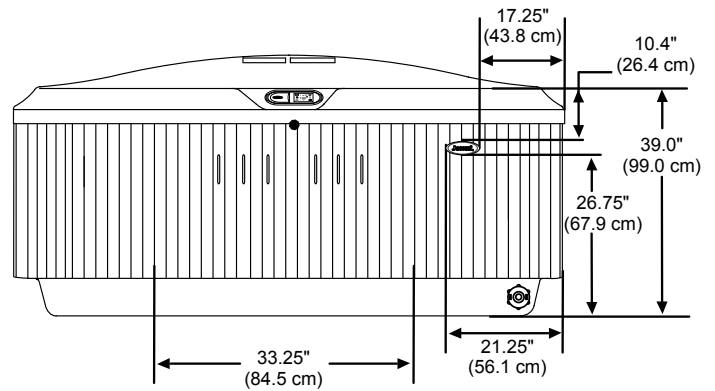
Dimensions/Specifications are Subject to Change Without Notice

Jacuzzi J-480

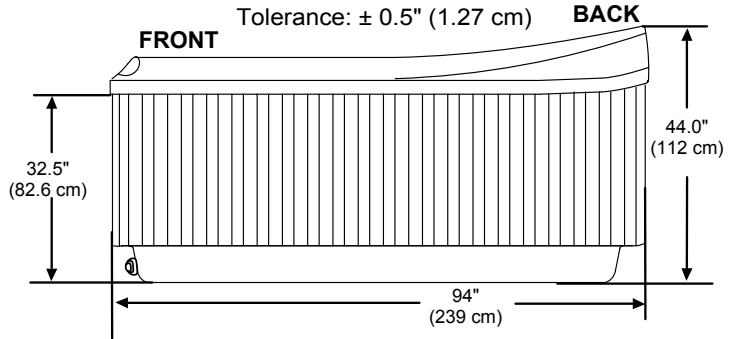
TOP VIEW



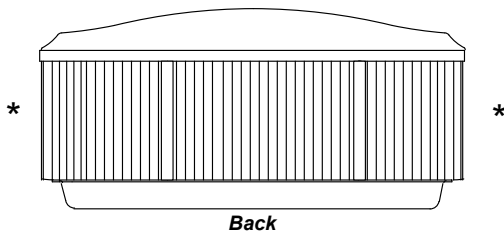
FRONT VIEW
(Front view of stereo option shown)
Tolerance: $\pm 0.5"$ (1.27 cm)



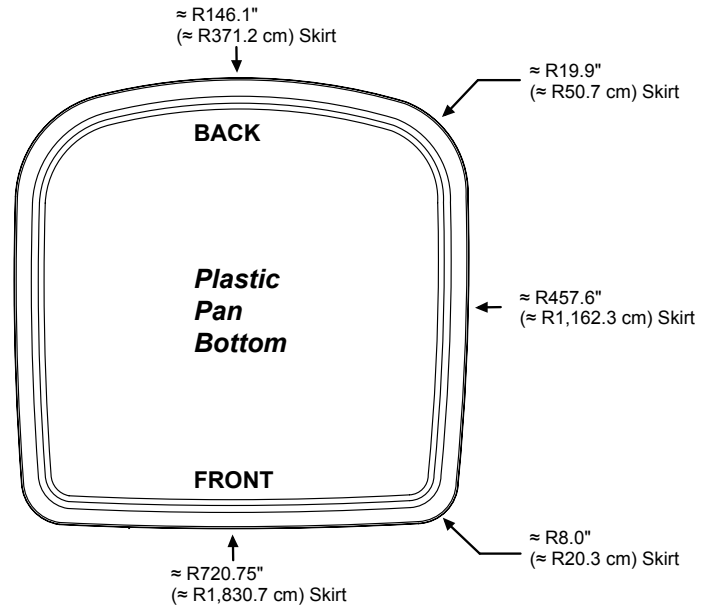
RIGHT SIDE VIEW
Tolerance: $\pm 0.5"$ (1.27 cm)



Important Panel Access Details



***Note:** Side panels utilize a wrap-around design which meets at the back of the spa. For serviceability, always allow for full side and back panel access.



IMPORTANT! Always measure each hot tub for exact dimensions **BEFORE** designing its foundational support and/or decking.



Dimensions/specifications subject to change without notice. Tolerance: $\pm 0.5"$ (1.27 cm)

Jacuzzi J-470

Seating Capacity	6-7 Adults
Dimensions	91" x 91" x 39" Front/44" Back, (231 cm x 231 cm x 99 cm Front/112 cm Back); For Complete Dimensions, See page 95
Dry Weight	950 lbs (431 kg)
Filled Weight (Spa Volume)	5,620 lbs (2,549 kg)
Filled Weight (Average Fill)	4,703 lbs (2,133 kg)
Water Capacity (Spa Volume)	560 US gallons (2,120 Liters)
Water Capacity (Average Fill)	450 US gallons (1,703 Liters)
Electronic Controls	Touch LCD control panel, user interface displays temperature, time, cycles and fingertip jet control. Offers customizing of preprogrammed filtration cycles, heating modes and water temperature setting.
Pump 1	North America (60 Hz): 1-Speed, 5.1 HP break, 2.5 HP continuous, 56 Frame
Export (50 Hz):	1-Speed, 2.0 HP continuous
Pump 2	North America (60 Hz): 1-Speed, 5.1 HP break, 2.5 HP continuous, 56 Frame
Export (50 Hz):	1-Speed, 2.0 HP continuous
Circulation Pump	Yes, 8-Hour
Total PowerPro Jets	43
Seat A Jets	6 PowerPro RX
Seat B Jets	2 PowerPro NX2, 3 PowerPro MX2
Seat C Jets	2 PowerPro FX Large Rotational
Seat D Jets	2 PowerPro NX2, 6 PowerPro FX, 6 PowerPro FX Rotational
Seat E Jet	1 PowerPro FX Large
Seat F Jets	4 PowerPro FX, 2 PowerPro FX Large Rotational
Footwell (G)	8 PowerPro FX Small
Center Footwell (H)	1 PowerPro IX, with independent valve control and multi-colored LED light illumination
Massage Selectors	2
Air Controls	4
Water Management System	One ProClarity 40 ft ² filter cartridge and 1 ProClarity depth load filter on 8-hour circulation pump; one ProCatch bag with ProClear 60 ft ² filter; Floating Weir; Factory installed CLEARARRAY® Water Purification System
Export (50 Hz):	Factory installed CLEARARRAY® Water Purification System
LED Lighting	One IX footwell jet, two waterfall lights, cupholders, pillows and indicator light
Synthetic Cabinet Colors	Silverwood, Roasted Chestnut, Brazilian Teak
Acrylic Colors	latinum, Silver Pearl (Gypsum), Desert Sand, Monaco, Opal, Midnight, Sahara, Sandstone, Porcelain
Headrests	4
Waterfalls	Two with independent flow rate (on or off) adjustment; powered by 8-hour circulation pump
Electrical Requirements:	North America (60 Hz): 240 VAC@40A, 50A, or 60A
	Export (50 Hz): 230-240 VAC@ 1x40A, 1x32A/1x16A, 1x16A/1x16A/1x16A or suitably rated circuit breaker to comply with local electrical codes. Certain countries may require dual power inputs; two GFCI RCD breakers are required for this configuration.
Warranty*	North America (60 Hz): 10 Years Shell, 7 Years Shell Surface, 5 Years Plumbing Component Leaks, 5 Years Equipment and Controls, 5 Years Cabinet, 2 Years Venetian Stone Cabinet, 2 Years Jets, 2 Years Lights, 1 Year Stereo;
	Export (50 Hz): 10 Years Shell, 7 Years Shell Surface, 2 Years Plumbing Component Leaks, 2 Years Equipment and Controls, 2 Years Cabinet, 2 Years Jets, 2 Years Lights, 1 Year Stereo
Special Features (Optional)	ProLink™ remote monitoring system
Audio System (Optional)	BLUEWAVE® 2.0 Spa Stereo System with Bluetooth capability and Aux 3.5 mm headphone jack port; 4 premium speakers, a powered subwoofer

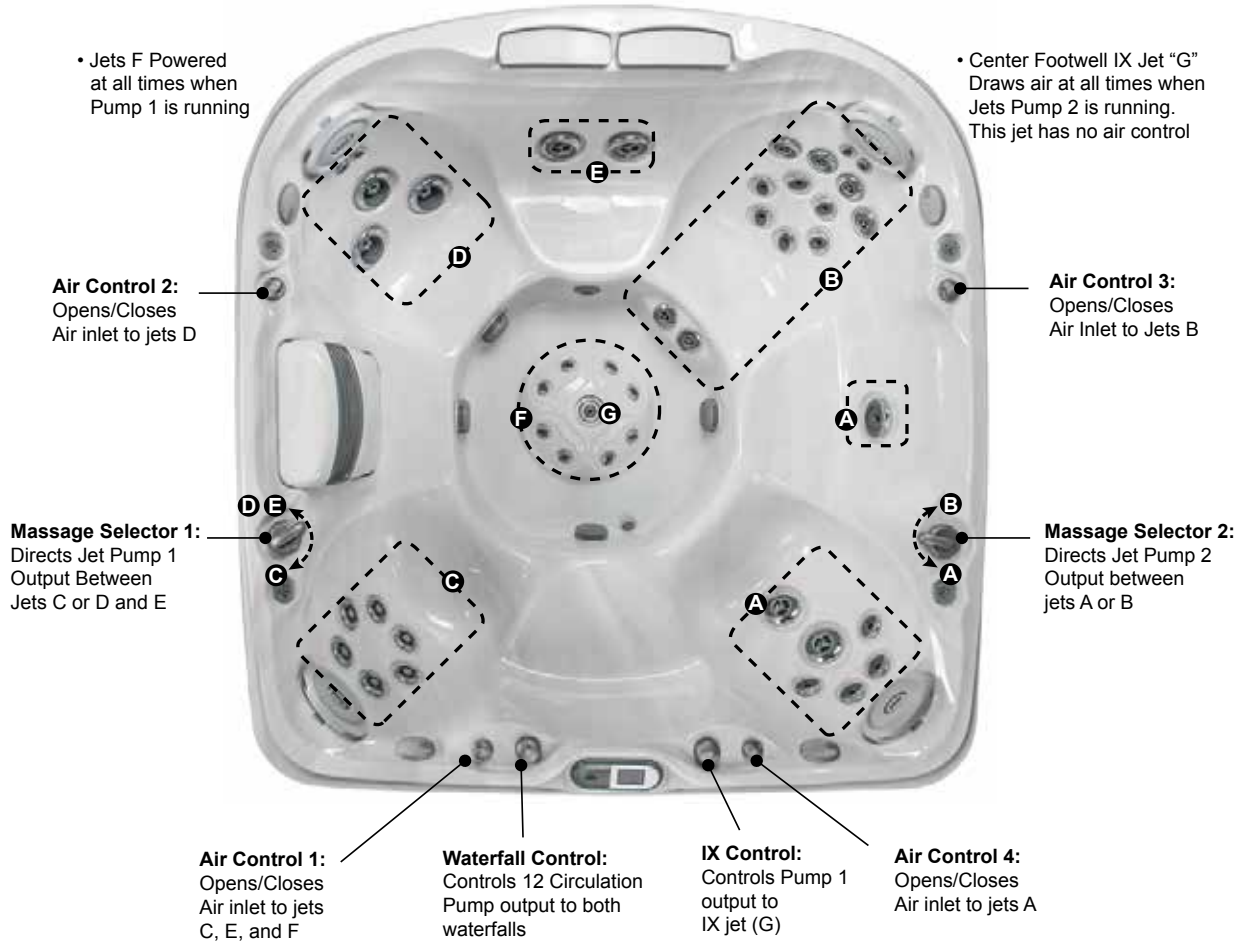


*(See Warranty Document for Specific Details)

Dimensions/Specifications are Subject to Change Without Notice

Jacuzzi J-470

Massage Selector/Air Control Diagram



43 Total Jets

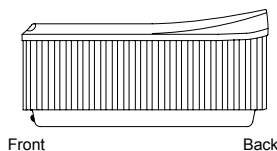


Spa Operation Subject to Change without Notice

Seat Depths

- A = 29.00" (73.66 cm)**
- B = 26.50" (67.31 cm)**
- C = 30.50" (77.47 cm)**
- D = 21.00" (53.34 cm)**
- E = 27.25" (69.22 cm)**
- F = 17.00" (43.18 cm)**

- G = 25.00" (63.50 cm)**
- H = 32.50" (82.55 cm)**



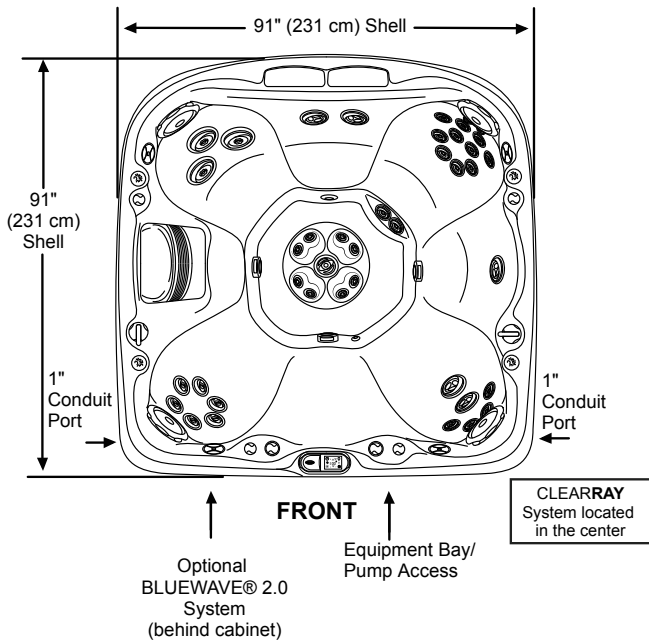
Listed dimensions represent distance from top of acrylic to lowest point in seat.
Tolerance ± 0.5" (1.27 cm).



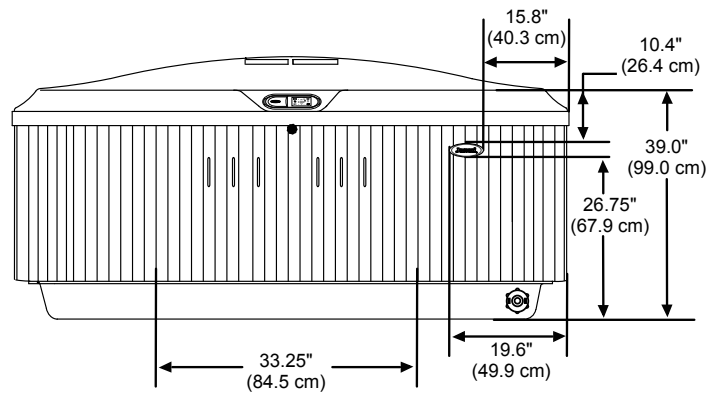
Dimensions/Specifications are Subject to Change Without Notice

Jacuzzi J-470

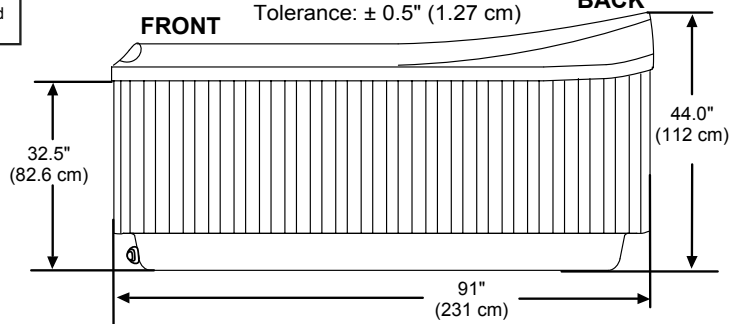
TOP VIEW



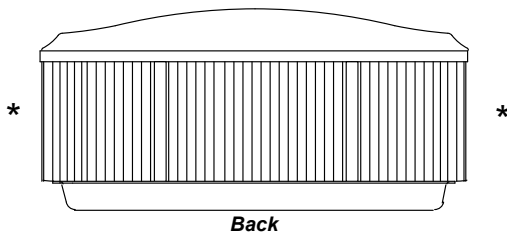
FRONT VIEW
(Front view of stereo option shown)
Tolerance: $\pm 0.5"$ (1.27 cm)



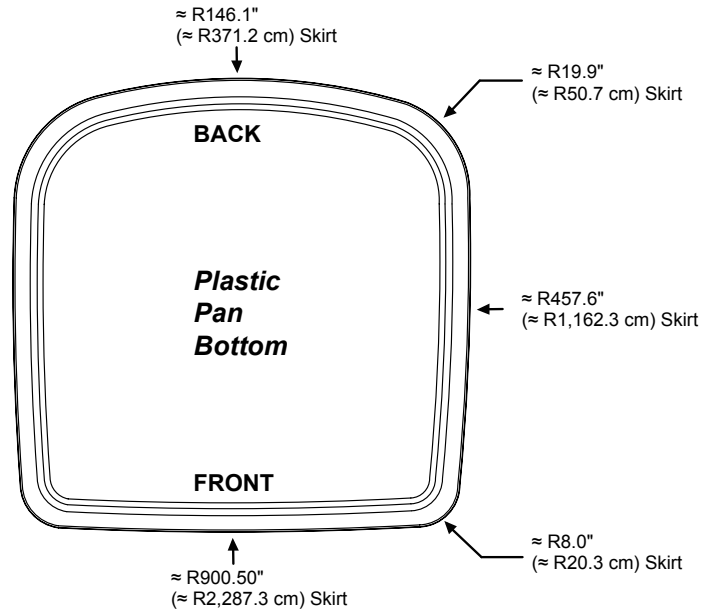
RIGHT SIDE VIEW



Important Panel Access Details



***Note:** Side panels utilize a wrap-around design which meets at the back of the spa. For serviceability, always allow for full side and back panel access.



IMPORTANT! Always measure each hot tub for exact dimensions **BEFORE** designing its foundational support and/or decking.



Dimensions/specifications subject to change without notice. Tolerance: $\pm 0.5"$ (1.27 cm)

Jacuzzi J-465

Seating Capacity	4-5 Adults
Dimensions	88" x 88" x 39" Front/43" Back, (223.5 cm x 223.5 cm x 99 cm Front/109 cm Back); For Complete Dimensions, See page 95
Dry Weight	906 lbs (411 kg)
Filled Weight (Spa Volume)	5,159 lbs (2,340 kg)
Filled Weight (Average Fill)	4,325 lbs (1,962 kg)
Water Capacity (Spa Volume)	510 US gallons (1,931 Liters)
Water Capacity (Average Fill)	410 US gallons (1,552 Liters)
Electronic Controls	Touch LCD control panel, user interface displays temperature, time, cycles and fingertip jet control. Offers customizing of preprogrammed filtration cycles, heating modes and water temperature setting.
Pump 1	North America (60 Hz): 1-Speed, 5.1 HP break, 2.5 HP continuous, 56 Frame
Export (50 Hz):	1-Speed, 2.0 HP continuous
Pump 2	North America (60 Hz): 1-Speed, 5.1 HP break, 2.5 HP continuous, 56 Frame
Export (50 Hz):	1-Speed, 2.0 HP continuous
Circulation Pump	Yes, 8-hour
Total PowerPro Jets	39
Seat A Jets	1 PowerPro FX Large
Seat B Jets	2 PowerPro NX2, 3 PowerPro MX2
Seat C Jets	2 PowerPro FX Large Rotational
Seat D Jets	2 PowerPro NX2, 6 PowerPro FX, 6 PowerPro FX Rotational
Seat E Jets	2 PowerPro FX Large Rotational
Seat F Jets	6 PowerPro RX, 4 PowerPro PX, 2 PowerPro FX Large Rotational
Footwell (G)	2 PowerPro MX2
Center Footwell (H)	1 PowerPro IX, with independent valve control and multi-colored LED light illumination
Massage Selectors	2
Air Controls	3
Water Management System	One ProClarity 40 ft ² filter cartridge and 1 ProClarity depth load filter on 8-hour circulation pump; one ProCatch bag with ProClear 60 ft ² filter; Floating Weir; Factory installed CLEARARRAY® Water Purification System
Export (50 Hz):	Factory installed CLEARARRAY® Water Purification System
LED Lighting	One IX footwell jet, one waterfall with lights, cupholders, pillows and indicator light
Synthetic Cabinet Colors	Silverwood, Roasted Chestnut, Brazilian Teak
Acrylic Colors	latinum, Silver Pearl (Gypsum), Desert Sand, Monaco, Opal, Midnight, Caribbean Surf, Sahara, Sandstone, Porcelain
Headrests	4
Waterfalls	One with Independent flow rate (on or off) adjustment; powered by 8-hour circulation pump
Electrical Requirements:	North America (60 Hz): 240 VAC@40A, 50A, or 60A Export (50 Hz): 230-240 VAC@ 1x40A, 1x32A/1x16A, or 1x16A/1x16A/1x16A or suitably rated circuit breaker to comply with local electrical codes. Certain countries may require dual power inputs; two GFCI RCD breakers are required for this configuration.
Warranty*	North America (60 Hz): 10 Years Shell, 7 Years Shell Surface, 5 Years Plumbing Component Leaks, 5 Years Equipment and Controls, 5 Years Cabinet, 2 Years Jets, 2 Years Lights, 1 Year Stereo; Export (50 Hz): 10 Years Shell, 7 Years Shell Surface, 2 Years Plumbing Component Leaks, 2 Years Equipment and Controls, 2 Years Cabinet, 2 Years Jets, 2 Years Lights, 1 Year Stereo
Special Features (Optional)	ProLink™ remote monitoring system
Audio System (Optional)	BLUEWAVE® 2.0 Spa Stereo System with Bluetooth capability and Aux 3.5 mm headphone jack port; 4 premium speakers, a powered subwoofer

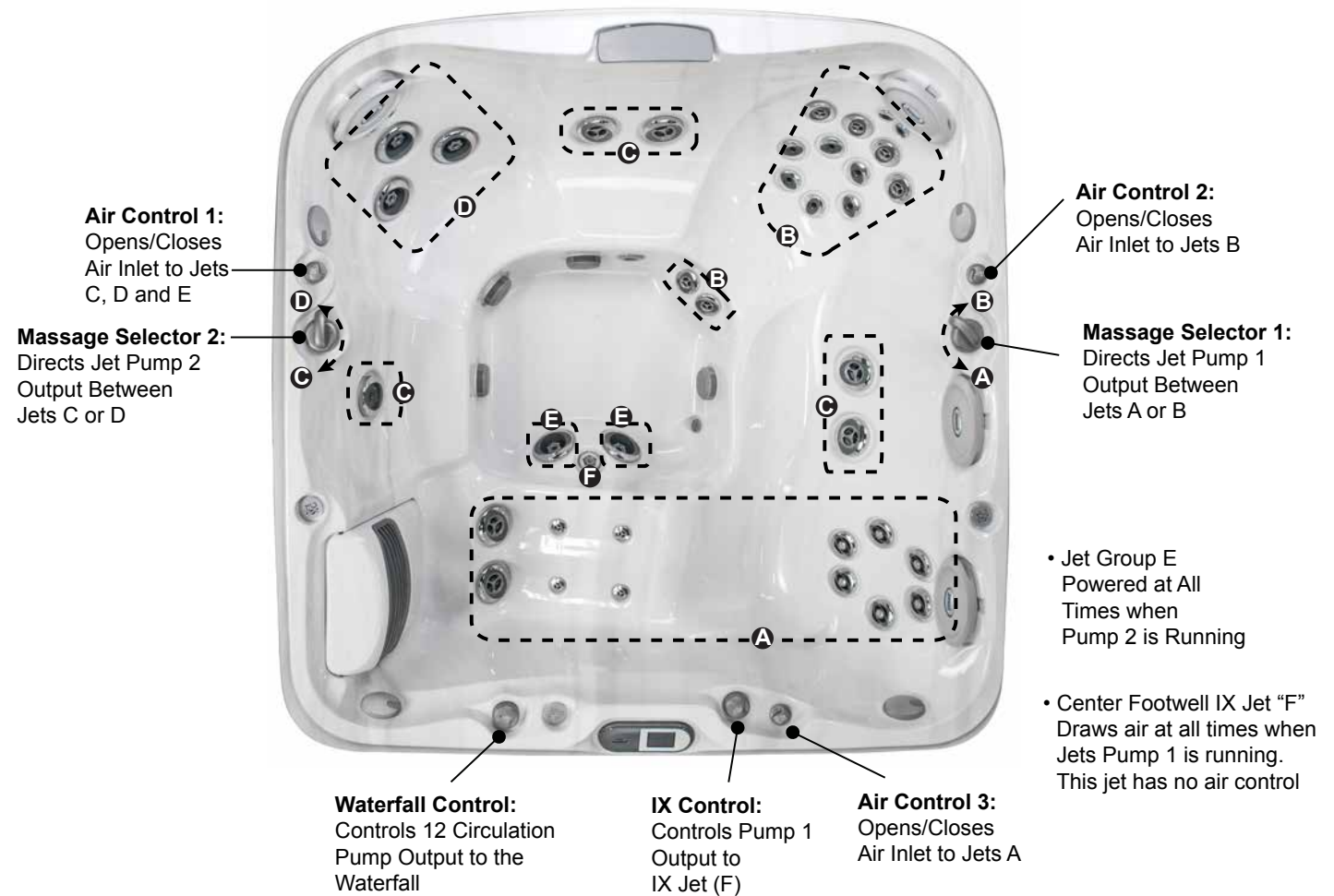


*(See Warranty Document for Specific Details)

Dimensions/Specifications are Subject to Change Without Notice

Jacuzzi J-465

Massage Selector/Air Control Diagram



39 Total Jets



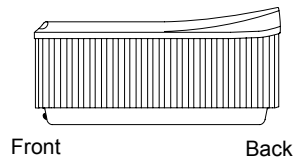
Spa Operation Subject to Change without Notice

Seat Depths

- A = 20.25" (51.44 cm)**
- B = 25.50" (64.77 cm)**
- C = 22.50" (57.15 cm)**
- D = 27.00" (68.58 cm)**
- E = 25.50" (64.77 cm)**
- F = 25.38" (64.47 cm)**

- G = 22.63" (57.48 cm)**
- H = 34.25" (87.00 cm)**

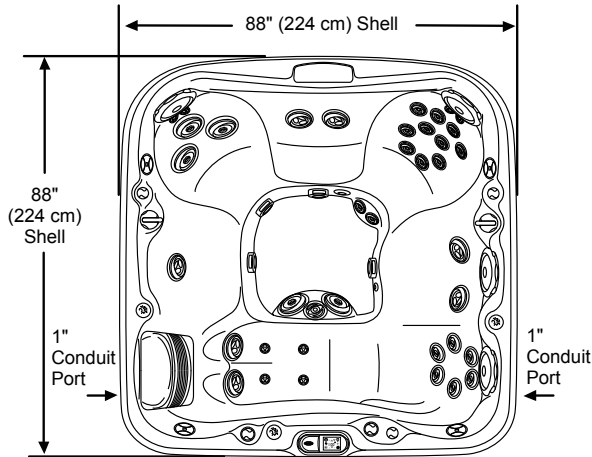
Listed dimensions represent distance from top of acrylic to lowest point in seat. **Tolerance ± 0.5" (1.27 cm).**



Dimensions/Specifications are Subject to Change Without Notice

Jacuzzi J-465

TOP VIEW



FRONT

Optional BLUEWAVE® 2.0 System (behind cabinet)

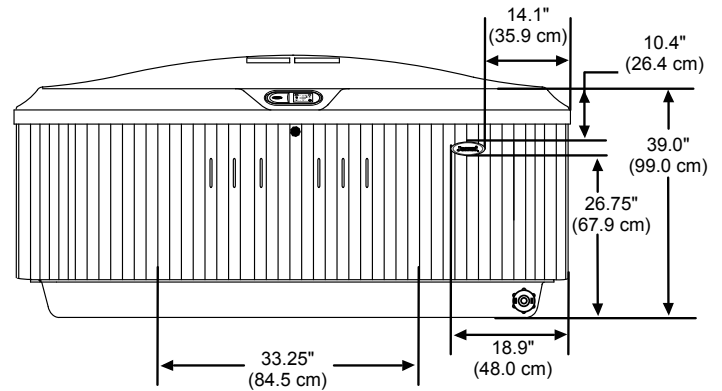
Equipment Bay/ Pump Access

CLEARRAY System located in the center

FRONT VIEW

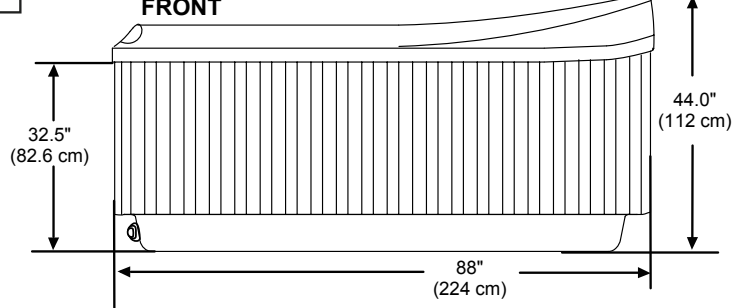
(Front view of stereo option shown)

Tolerance: $\pm 0.5"$ (1.27 cm)

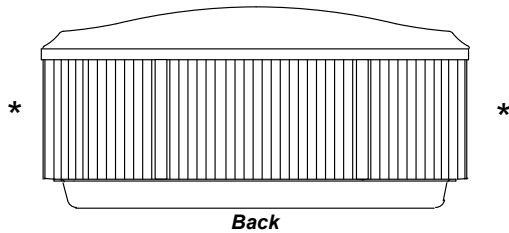


RIGHT SIDE VIEW

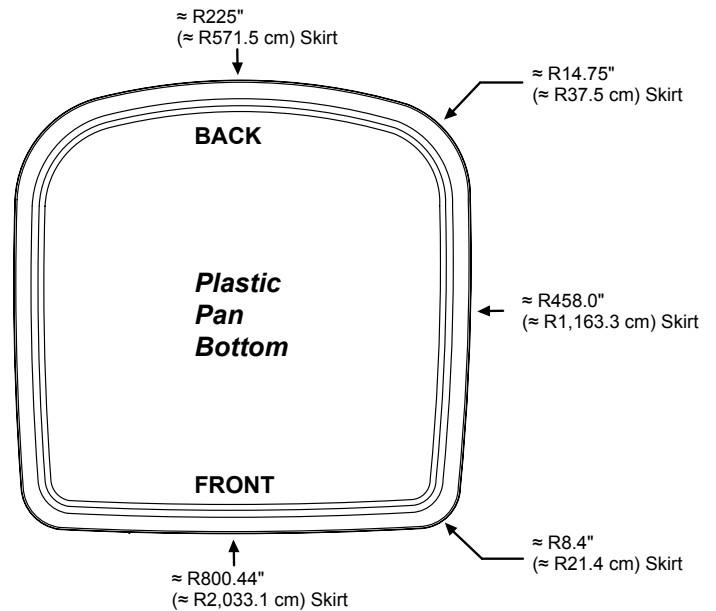
Tolerance: $\pm 0.5"$ (1.27 cm)



Important Panel Access Details



***Note:** Side panels utilize a wrap-around design which meets at the back of the spa. For serviceability, always allow for full side and back panel access.



IMPORTANT! Always measure each hot tub for exact dimensions **BEFORE** designing its foundational support and/or decking.



Dimensions/specifications subject to change without notice. Tolerance: $\pm 0.5"$ (1.27 cm)

Jacuzzi J-425

Seating Capacity	4-5 Adults
Dimensions	76" x 87" x 34" Front/39" Back, (193.04 cm x 220.98 cm x 86.36 cm Front/99.06 cm Back); For Complete Dimensions, See page 95
Dry Weight	796 lbs (361 kg)
Filled Weight (Spa Volume)	4,382 lbs (1,988 kg)
Filled Weight (Average Fill)	3,632 lbs (1,647 kg)
Water Capacity (Spa Volume)	430 US gallons (1,628 Liters)
Water Capacity (Average Fill)	340 US gallons (1,287 Liters)
Electronic Controls	Touch LCD control panel, user interface displays temperature, time, cycles and fingertip jet control. Offers customizing of preprogrammed filtration cycles, heating modes and water temperature setting.
Pump 1	North America (60 Hz): 1-Speed, 5.1 HP break, 2.5 HP continuous, 56 Frame
Export (50 Hz):	1-Speed, 2.0 HP continuous
Pump 2	North America (60 Hz): 1-Speed, 5.1 HP break, 2.5 HP continuous, 56 Frame
Export (50 Hz):	1-Speed, 2.0 HP continuous
Circulation Pump	Yes, 8-Hour
Total PowerPro Jets	27
Seat A Jets	6 PowerPro FX, 2 PowerPro RX
Seat B Jets	3 PowerPro MX2, 2 PowerPro FX
Seat C Jets	2 PowerPro NX2, 2 PowerPro FX Rotational, 1 PowerPro FX Large Rotational
Seat D Jets	2 PowerPro FX Rotational, 2 PowerPro FX Large Rotational, 2 PowerPro FX Large
Footwell (E)	2 PowerPro FX
Center Footwell (F)	1 PowerPro IX, with independent valve control and multi-colored LED light illumination
Massage Selectors	1
Air Controls	4
Water Management System	One ProClarity 40 ft ² filter cartridge and 1 ProClarity depth load filter on 8-hour circulation pump; one ProCatch bag with ProClear 60 ft ² filter; Floating Weir; Factory installed CLEARRAY® Water Purification System
Export (50 Hz):	Factory installed CLEARRAY® Water Purification System
LED Lighting	One IX footwell jet, one waterfall with lights, pillows, and indicator light
Synthetic Cabinet Colors	Silverwood, Roasted Chestnut, Brazilian Teak
Acrylic Colors	latinum, Silver Pearl (Gypsum), Desert Sand, Monaco, Opal, Midnight, Caribbean Surf, Sahara, Sandstone, Porcelain
Headrests	4
Waterfalls	One independent flow rate (on or off) adjustment; powered by 8-Hour circulation pump
Electrical Requirements:	North America (60 Hz): 240 VAC@40A, 50A, or 60A Export (50 Hz): 230-240 VAC@ 1x40A, 1x32A/1x16A, or 1x16A/1x16A/1x16A or suitably rated circuit breaker to comply with local electrical codes. Certain countries may require dual power inputs; two GFCI RCD breakers are required for this configuration.
Warranty*	North America (60 Hz): 10 Years Shell, 7 Years Shell Surface, 5 Years Plumbing Component Leaks, 5 Years Equipment and Controls, 5 Years Cabinet, 2 Years Jets, 2 Years Lights, 1 Year Stereo; Export (50 Hz): 10 Years Shell, 7 Years Shell Surface, 2 Years Plumbing Component Leaks, 2 Years Equipment and Controls, 2 Years Cabinet, 2 Years Jets, 2 Years Lights, 1 Year Stereo
Special Features (Optional)	ProLink™ remote monitoring system
Audio System (Optional)	BLUEWAVE® 2.0 Spa Stereo System with Bluetooth capability and Aux 3.5 mm headphone jack port; 4 premium speakers, a powered subwoofer

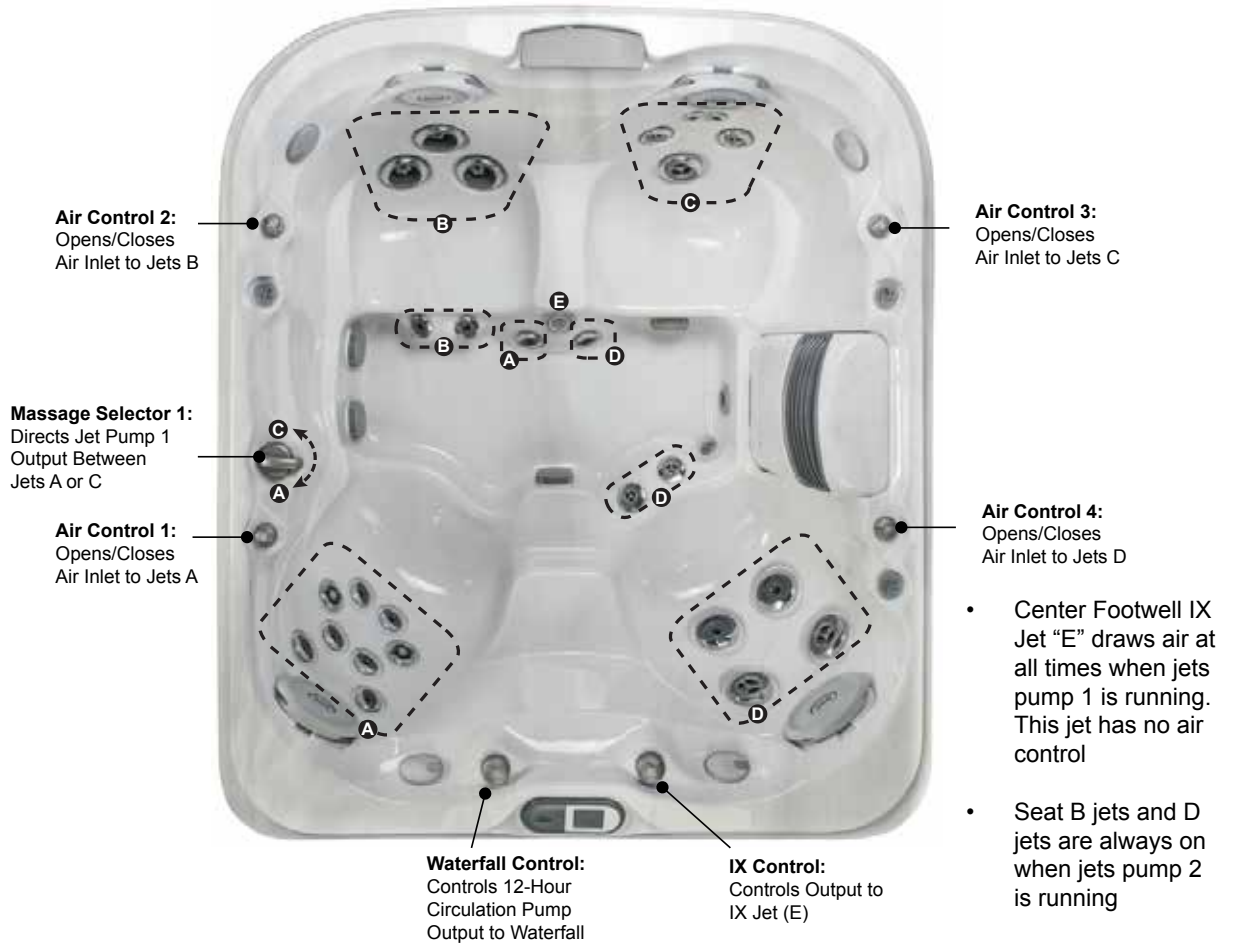


*(See Warranty Document for Specific Details)

Dimensions/Specifications are Subject to Change Without Notice

Jacuzzi J-425

Massage Selector/Air Control Diagram



27 Total Jets

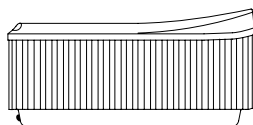


Spa Operation Subject to Change without Notice

Seat Depths

A = 27.75" (70.49 cm)
B = 28.50" (72.39 cm)
C = 28.75" (73.03 cm)
D = 26.75" (67.95 cm)
E = 16.50" (41.91 cm)

F = 23.00" (58.42 cm)
G = 31.10" (79.00 cm)



Front Back

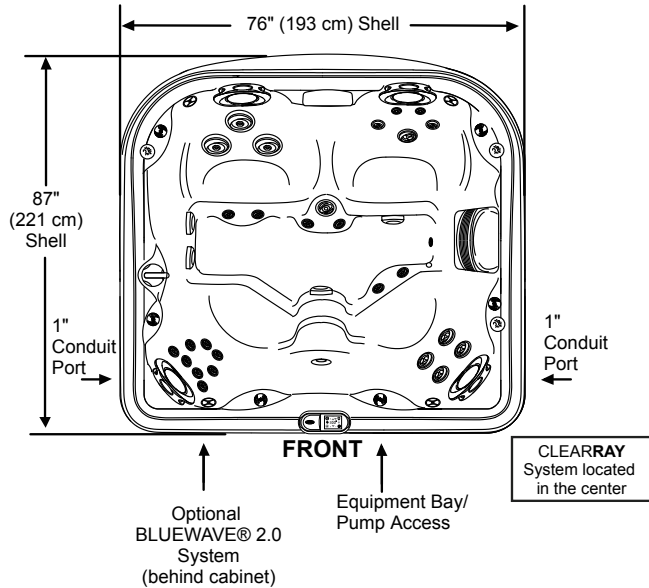
Listed dimensions represent distance from top of acrylic to lowest point in seat.
Tolerance ± 0.5" (1.27 cm).



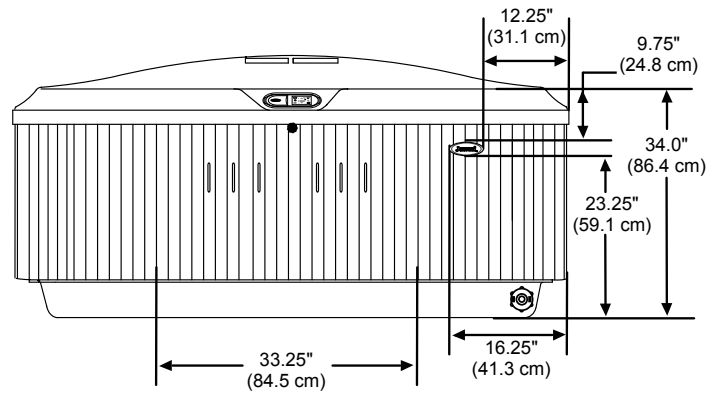
Dimensions/Specifications are Subject to Change Without Notice

Jacuzzi J-425

TOP VIEW

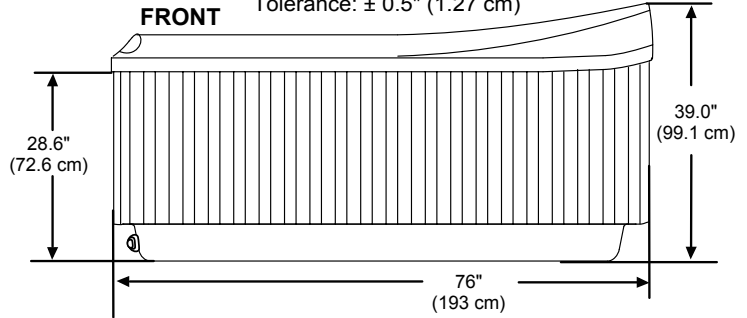


FRONT VIEW
(Front view of stereo option shown)
Tolerance: $\pm 0.5"$ (1.27 cm)

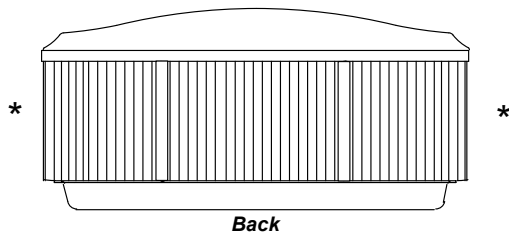


RIGHT SIDE VIEW

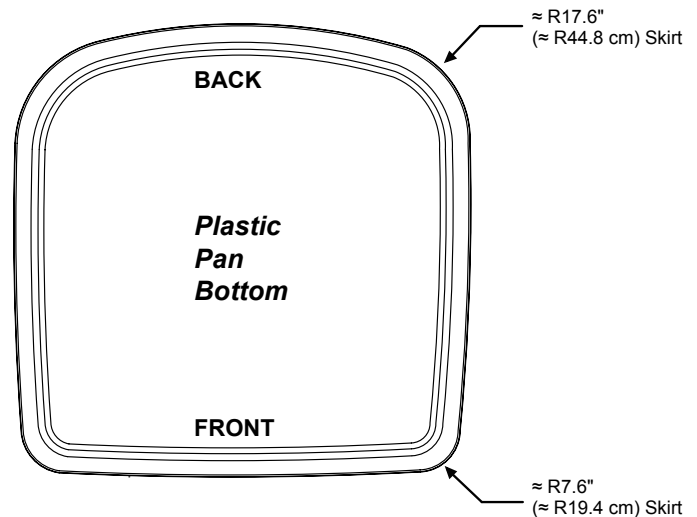
Tolerance: $\pm 0.5"$ (1.27 cm)



Important Panel Access Details



***Note:** Side panels utilize a wrap-around design which meets at the back of the spa. For serviceability, always allow for full side and back panel access.



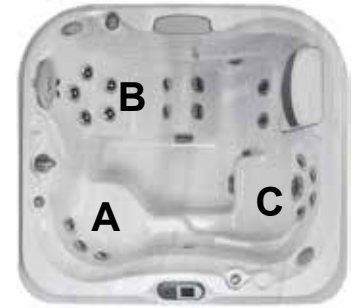
IMPORTANT! Always measure each hot tub for exact dimensions **BEFORE** designing its foundational support and/or decking.



Dimensions/specifications subject to change without notice. Tolerance: $\pm 0.5"$ (1.27 cm)

Jacuzzi J-415

Seating Capacity	2-3 Adults
Dimensions	76" x 66" x 32", (193 cm x 168 cm x 81 cm); For Complete Dimensions, See page 95
Dry Weight	585 lbs (265 kg)
Filled Weight (Spa Volume)	3,004 lbs (1,362 kg)
Filled Weight (Average Fill)	2,503 lbs (1,135 kg)
Water Capacity (Spa Volume) ...	290 US gallons (1,098 Liters)
Water Capacity (Average Fill) ...	230 US gallons (871 Liters)
Electronic Controls	Touch LCD control panel, user interface displays temperature, time, cycles and fingertip jet control. Offers customizing of preprogrammed filtration cycles, heating modes and water temperature setting.
Pump 1	North America (60 Hz): 1-Speed, 5.1 HP break, 2.5 HP continuous, 56 Frame
Export (50 Hz):	1-Speed, 2.0 HP continuous
Circulation Pump	Yes, 8-Hour
Total PowerPro Jets	21
Seat A Jets	3 PowerPro FX
Seat B Jets	2 PowerPro NX2, 5 PowerPro RX, 2 PowerPro FX, 4 PowerPro FX Rotational
Seat C Jets	4 PowerPro FX, 1 PowerPro FX Large Rotational
Massage Selectors	1
Air Controls	2
Water Management System	One ProClarity 40 ft ² filter cartridge and 1 ProClarity depth load filter on 8-hour circulation pump; one ProCatch bag with ProClear 60 ft ² filter; Floating Weir; Factory installed CLEARRAY® Water Purification System
Export (50 Hz):	Factory installed CLEARRAY® Water Purification System
LED Lighting	One waterfall with lights, pillows and indicator light
Synthetic Cabinet Colors	Silverwood, Roasted Chestnut, Brazilian Teak
Acrylic Colors	Platinum, Sahara, Opal, Desert Sand, Silver Pearl, Monaco
Headrests	1
Waterfalls	One independent flow rate (on or off) adjustment; powered by 8-hour circulation pump
Electrical Requirements:	North America (60 Hz): 240 VAC@40A or 50A Export (50 Hz): 230-240 VAC@ 1x40A, 1x16A/1x16A or suitably rated circuit breaker to comply with local electrical codes. Certain countries may require dual power inputs; two GFCI RCD breakers are required for this configuration.
Warranty*	North America (60 Hz): 10 Years Shell, 7 Years Shell Surface, 5 Years Plumbing Component Leaks, 5 Years Equipment and Controls, 5 Years Cabinet, 2 Years Jets, 2 Years Lights, 1 Year Stereo; Export (50 Hz): 10 Years Shell, 7 Years Shell Surface, 2 Years Plumbing Component Leaks, 2 Years Equipment and Controls, 2 Years Cabinet, 2 Years Jets, 2 Years Lights, 1 Year Stereo
Special Features (Optional)	ProLink™ remote monitoring system
Audio System (Optional)	BLUEWAVE® 2.0 Spa Stereo System with Bluetooth capability and Aux 3.5 mm headphone jack port; 2 premium speakers, a powered subwoofer

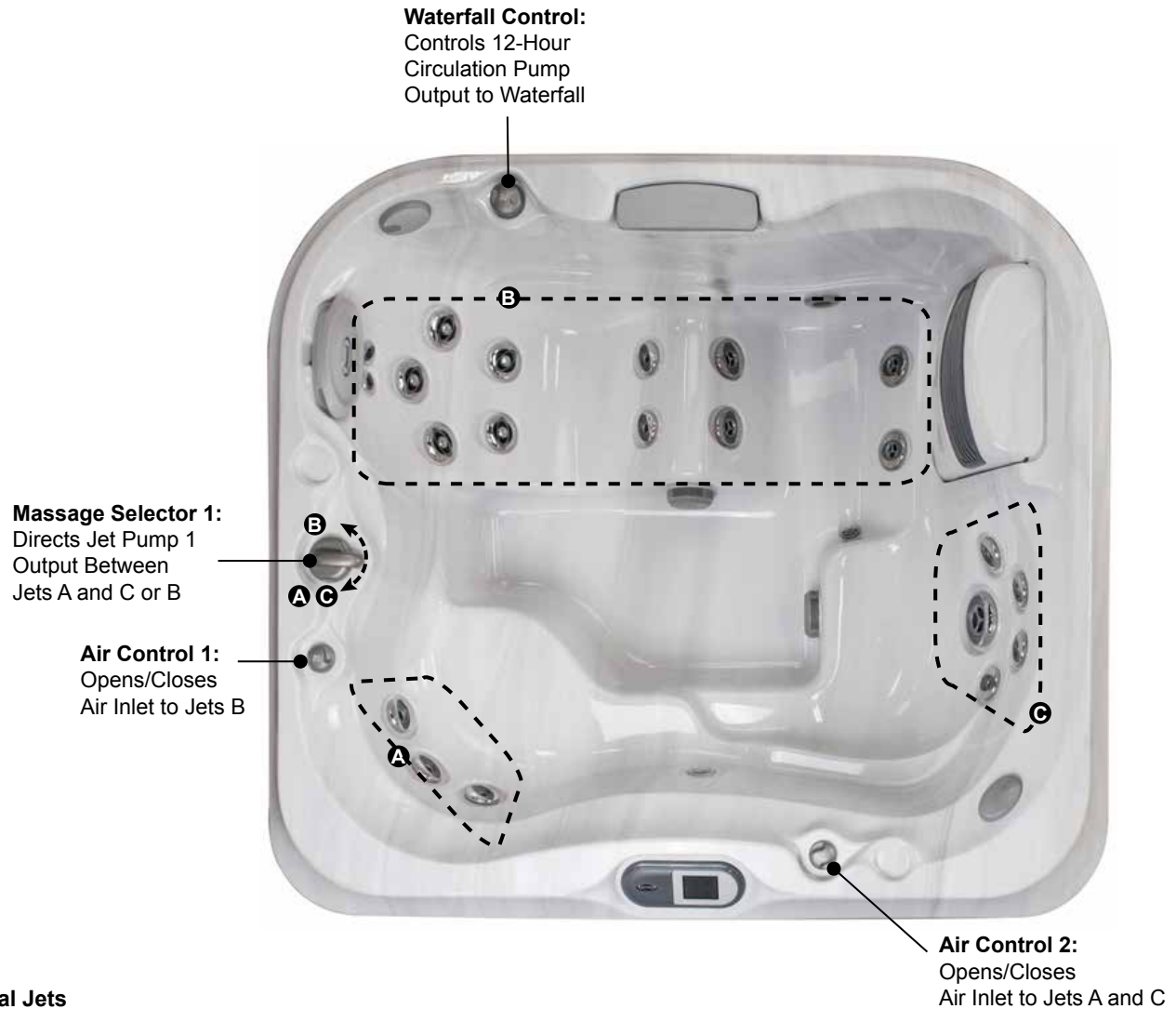


*(See Warranty Document for Specific Details)

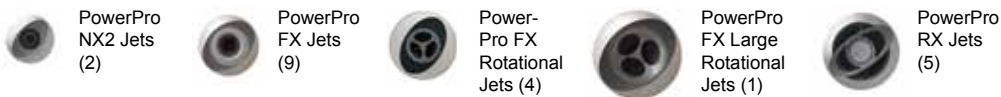
Dimensions/Specifications are Subject to Change Without Notice

Jacuzzi J-415

Massage Selector/Air Control Diagram



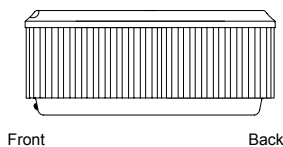
21 Total Jets



Spa Operation Subject to Change without Notice

Seat Depths

- A = 16.75" (42.55 cm)**
- B = 26.50" (67.31 cm)**
- C = 28.13" (71.45 cm)**
- D = 23.50" (59.70 cm)**
- E = 31.00" (78.74 cm)**



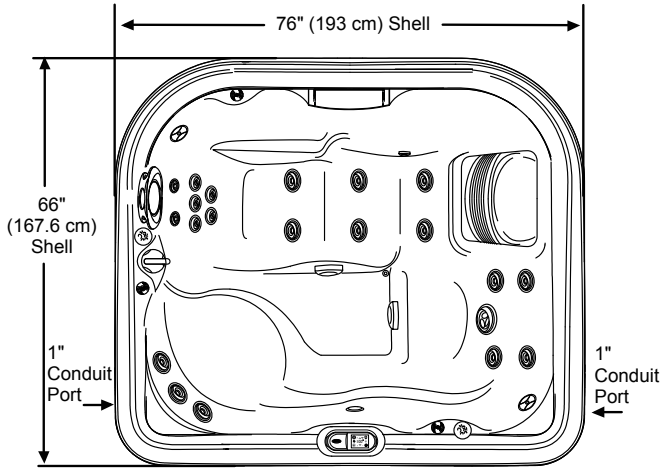
Listed dimensions represent distance from top of acrylic to lowest point in seat.
Tolerance ± 0.5" (1.27 cm).



Dimensions/Specifications are Subject to Change Without Notice

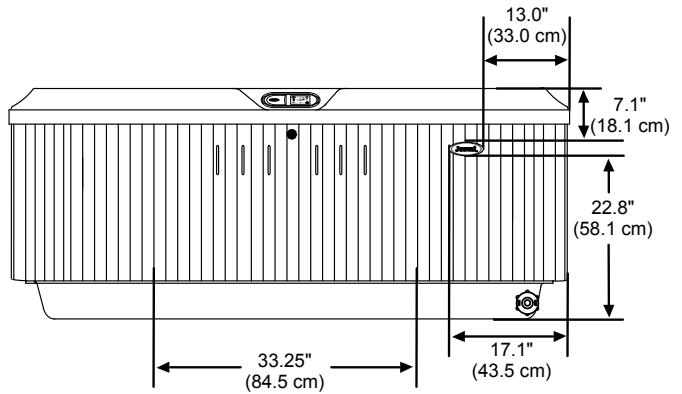
Jacuzzi J-415

TOP VIEW

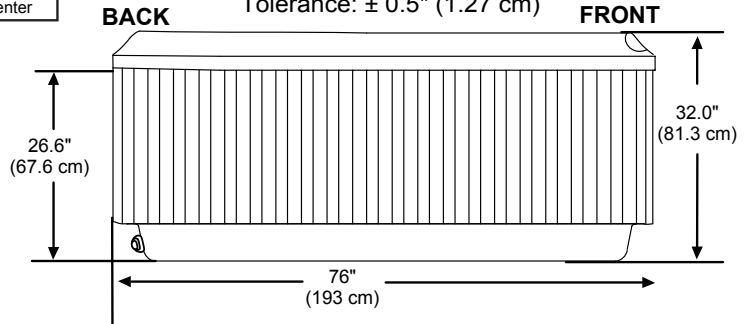


Optional BLUEWAVE® 2.0 System (behind cabinet)
 Equipment Bay/ Pump Access
 CLEARRAY System located in the center

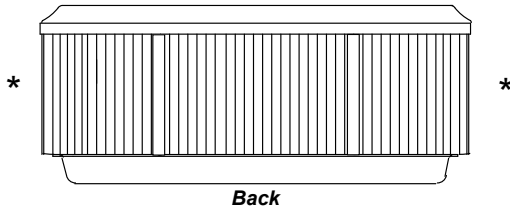
FRONT VIEW
 (Front view of stereo option shown)
 Tolerance: $\pm 0.5"$ (1.27 cm)



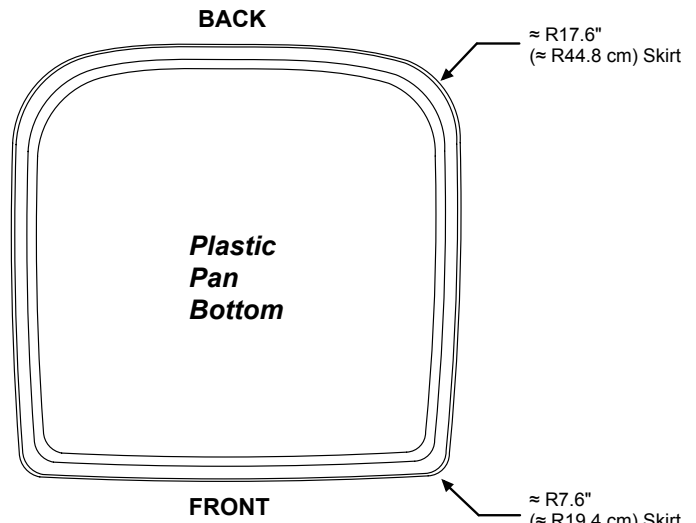
LEFT SIDE VIEW
 Tolerance: $\pm 0.5"$ (1.27 cm)



Important Panel Access Details



***Note:** Side panels utilize a wrap-around design which meets at the back of the spa. For serviceability, always allow for full side and back panel access.



IMPORTANT! Always measure each hot tub for exact dimensions **BEFORE** designing its foundational support and/or decking.



Dimensions/specifications subject to change without notice. Tolerance: $\pm 0.5"$ (1.27 cm)

Jacuzzi J-LXL

Seating Capacity	5-6
Dimensions	84" x 84" x 36" (213.5 cm x 213.5 cm x 91.5 cm); For complete dimensions, see page 97
Dry Weight	896 lbs (406 kg)
Filled Weight (Spa Volume)	5,066 (2,298 kg)
Filled Weight (Average Fill)	4,149 lbs (1,882 kg)
Water Capacity (Spa Volume) ...	500 US gallons (1,893 Liters)
Water Capacity (Average Fill) ...	390 US gallons (1,476 Liters)
Electronic Controls	Solid state electronic controls with LED readout, programmable temperature, filtration, and heat cycles
Pump 1	North America (60 Hz): 2-Speed, 4.5 HP brake, 2.5 HP continuous, 56 Frame Export (50 Hz): 2-Speed, 2.0 HP continuous
Pump 2	North America (60 Hz): 1-Speed, 4.8 HP brake, 2.5 HP continuous, 56 Frame Export (50 Hz): 1-Speed, 2.0 HP continuous
Circulation Pump	Yes, 8-hour
Total PowerPro Jets	38
Seat A Jets	2 PowerPro NX2, 9 PowerPro FX
Seat B Jets	2 PowerPro FX
Seat C Jets	2 PowerPro NX2, 2 PowerPro RX, 1 PowerPro FX Large Rotational, 2 PowerPro FX
Seat D Jets	2 PowerPro FX
Seat E Jets	2 PowerPro NX2, 2 PowerPro RX, 2 PowerPro FX Large Rotational, 8 PowerPro FX
Footwell (F)	2 PowerPro MX2
Massage Selector	1
Air Controls	3, On/Off rocker switch air controller
Water Management System	Two 60 ft ² Filter cartridges; filter 1 on 8-hour circulation pump; filter 2 on jets pump 1; Factory installed CLEARRAY® Water Purification System Export (50 Hz): Factory installed CLEARRAY® Water Purification System
LED Lighting	One underwater light with 4 color modes, one colored waterfall lights, eight dome lights
Cabinet	Roasted Chestnut, Brazilian Teak
Acrylic Colors	Platinum, Silver Pearl, Sahara, Opal, Desert Sand, Monaco, Midnight, Caribbean Surf, Sandstone, Porcelain
Headrests	3
Waterfalls	One; Independent flow rate (on or off) adjustment powered by pump 1
Electrical Requirements:	North America (60 Hz): 240 VAC@40A, 50A, or 60A Export (50 Hz): 230-240 VAC@20A, 30A, or 40A, or suitably rated circuit breaker to comply with local electrical codes. Certain countries may require dual power inputs; two GFCI RCD breakers are required for this configuration.
Warranty*	North America (60 Hz): 10 Years Shell, 7 Years Shell Surface, 5 Years Plumbing Component Leaks, 5 Years Equipment and Controls, 5 Years Cabinet, 2 Years Jets, 2 Years Lights, 1 Year Stereo; Export (50 Hz): 10 Years Shell, 7 Years Shell Surface, 2 Years Plumbing Component Leaks, 2 Years Equipment and Controls, 2 Years Cabinet, 2 Years Jets, 2 Years Lights, 1 Year Stereo
Audio System (Optional)	BLUEWAVE® Spa Stereo System (MP3/iPod®/FM/Bluetooth/Aux compatible) with four speakers, auxiliary headphone jack, USB port connections and standard wireless RF remote

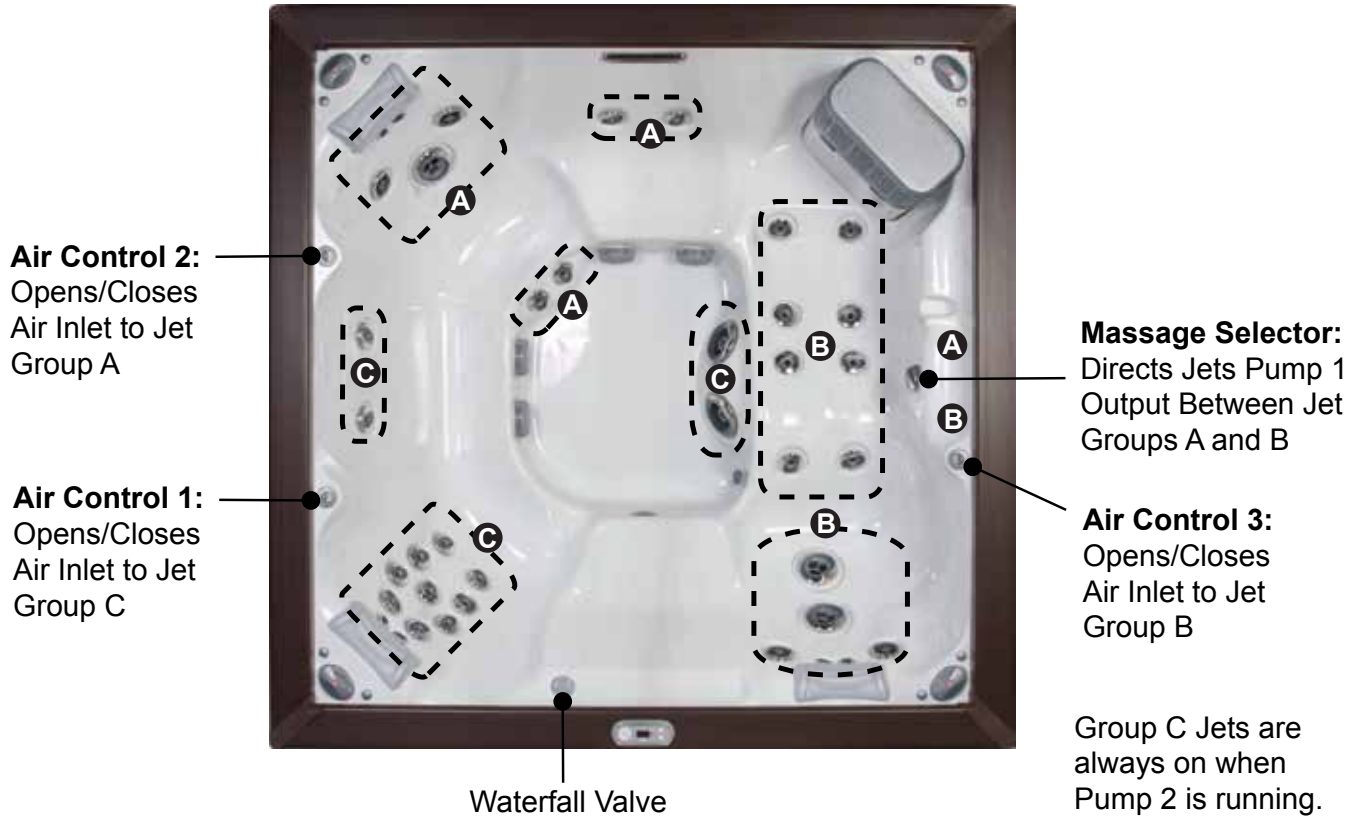


*(See Warranty Document for Specific Details)

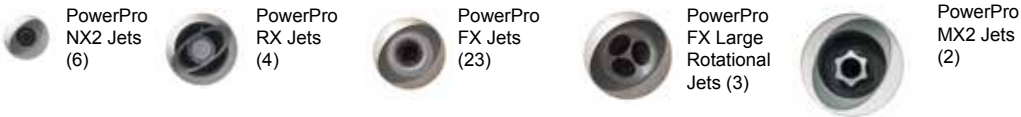
Dimensions/Specifications are Subject to Change Without Notice

Jacuzzi J-LXL

Massage Selector/Air Control Diagram



38 Total Jets



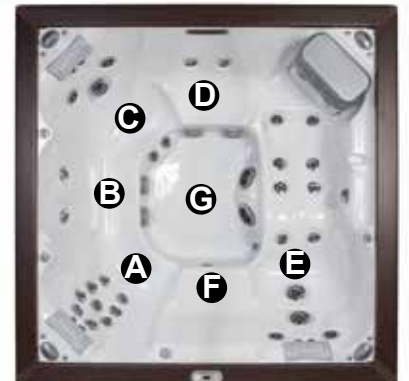
Spa Operation Subject to Change without Notice

Seat Depths

A = 29.75" (75.57 cm)
B = 27.75" (70.49 cm)
C = 29.25" (74.29 cm)
D = 23.25" (59.06 cm)
E = 27.75" (70.49 cm)

F = 21.00" (53.34 cm)
G = 33.25" (84.46 cm)

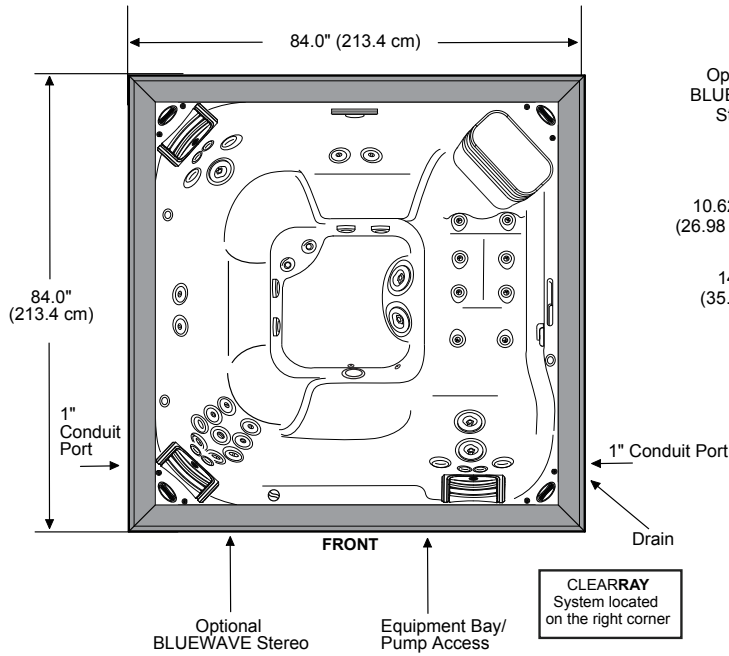
Listed dimensions
represent distance
from top of the deck
to lowest point in
seat. Tolerance $\pm 0.5"$
(1.27 cm).



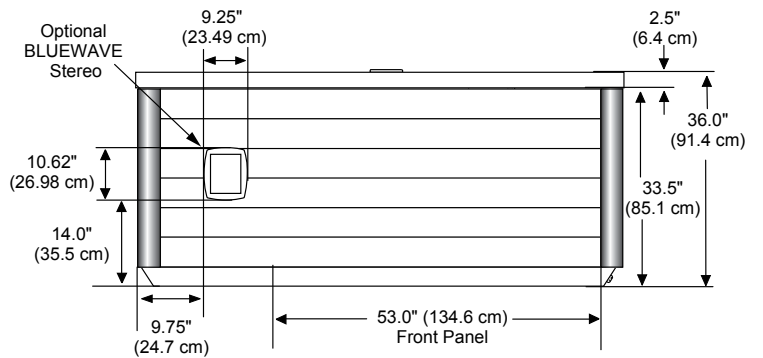
Dimensions/Specifications are Subject to Change Without Notice

Jacuzzi J-LXL

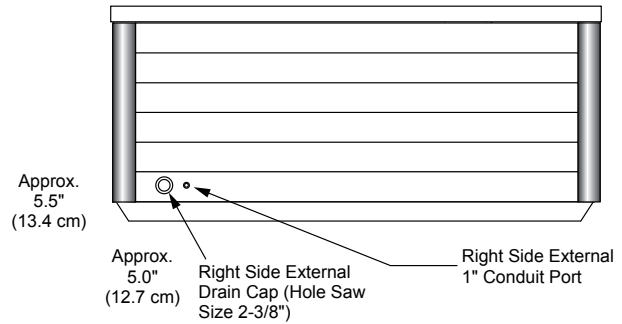
TOP VIEW



**FRONT/BACK SIDE VIEW
(Front view of stereo option shown)**



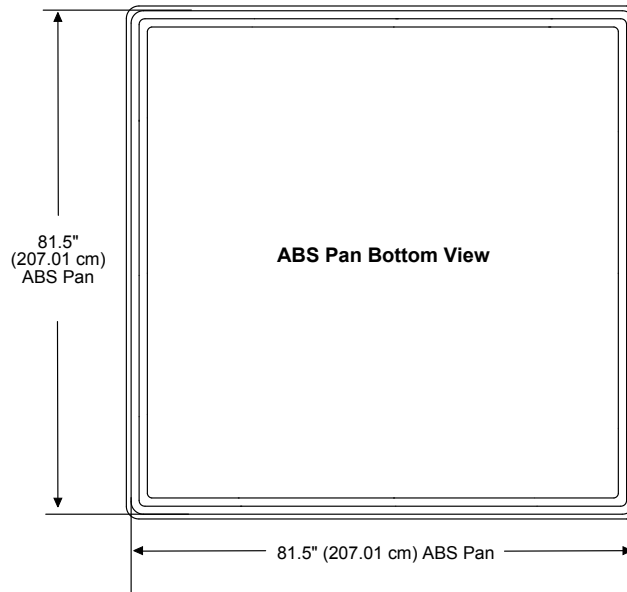
RIGHT SIDE VIEW



STOP

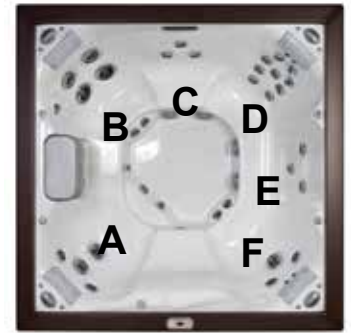
IMPORTANT! Always measure each hot tub for exact dimensions BEFORE designing its foundational support and/or decking.

STOP



Jacuzzi J-LX

Seating Capacity.....	6-7
Dimensions	84" x 84" x 36" (213.5 cm x 213.5 cm x 91.5 cm); For complete dimensions, see page 97
Dry Weight.....	876 lbs (397 kg)
Filled Weight (Spa Volume)	5,046 lbs (2,289 kg)
Filled Weight (Average Fill).....	4,129 lbs (1,873 kg)
Water Capacity (Spa Volume) ...	500 US gallons (1,893 Liters)
Water Capacity (Average Fill) ...	390 US gallons (1,476 Liters)
Electronic Controls	Solid state electronic controls with LED readout, programmable temperature, filtration, and heat cycles
Pump 1.....	North America (60 Hz): 2-Speed, 4.5 HP brake, 2.5 HP continuous, 56 Frame Export (50 Hz): 2-Speed, 2.0 HP continuous
Pump 2.....	North America (60 Hz): 1-Speed, 4.8 HP brake, 2.5 HP continuous, 56 Frame Export (50 Hz): 1-Speed, 2.0 HP continuous
Circulation Pump.....	Yes, 8-hour
Total PowerPro Jets	36
Seat A Jets	2 PowerPro RX, 2 PowerPro FX Large Rotational
Seat B Jets	2 PowerPro FX Large Rotational, 2 PowerPro MX2, 2 PowerPro FX
Seat C Jets	3 PowerPro FX
Seat D Jets	2 PowerPro NX2, 9 PowerPro FX
Seat E Jets	3 PowerPro FX
Seat F Jets.....	2 PowerPro NX2, 2 PowerPro RX, 1 PowerPro FX Large Rotational, 2 PowerPro FX
Massage Selector	1
Air Controls.....	4, On/Off rocker switch air controller
Water Management System	Two 60 ft ² Filter cartridges; filter 1 on 8-hour circulation pump; filter 2 on jets pump 1; Factory installed CLEARRAY® Water Purification System Export (50 Hz): Factory installed CLEARRAY® Water Purification System
LED Lighting	One underwater light with 4 color modes, one colored waterfall lights, eight dome lights
Cabinet	Roasted Chestnut, Brazilian Teak
Acrylic Colors	Platinum, Silver Pearl, Sahara, Opal, Desert Sand, Monaco, Midnight, Caribbean Surf, Sandstone, Porcelain
Headrests	4
Waterfalls	One; Independent flow rate (on or off) adjustment powered by pump 1
Electrical Requirements:	North America (60 Hz): 240 VAC@40A, 50A, or 60A Export (50 Hz): 230-240 VAC@20A, 30A, or 40A, or suitably rated circuit breaker to comply with local electrical codes. Certain countries may require dual power inputs; two GFCI RCD breakers are required for this configuration.
Warranty*.....	North America (60 Hz): 10 Years Shell, 7 Years Shell Surface, 5 Years for Plumbing Component Leaks, 5 Years Equipment and Controls, 5 Years Cabinet, 2 Years Jets, 2 Years Lights, 1 Year Stereo; Export (50 Hz): 10 Years Shell, 7 Years Shell Surface, 2 Years Plumbing Component Leaks, 2 Years Equipment and Controls, 2 Years Cabinet, 2 Years Jets, 2 Years Lights, 1 Year Stereo
Audio System (Optional).....	BLUEWAVE® Spa Stereo System (MP3/iPod®/FM/Bluetooth/Aux compatible) with four speakers, auxiliary headphone jack, USB port connections and standard wireless RF remote

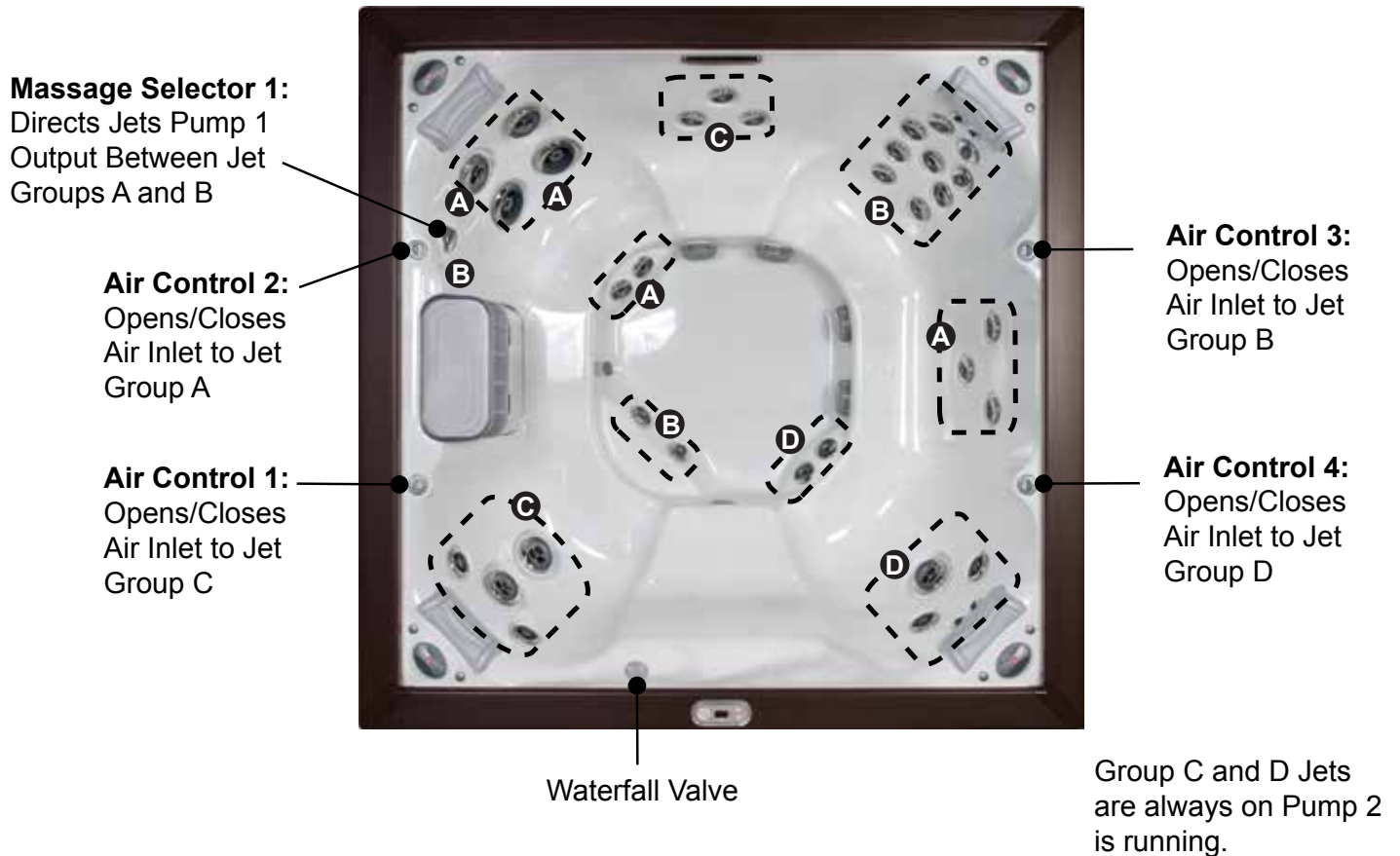


*(See Warranty Document for Specific Details)

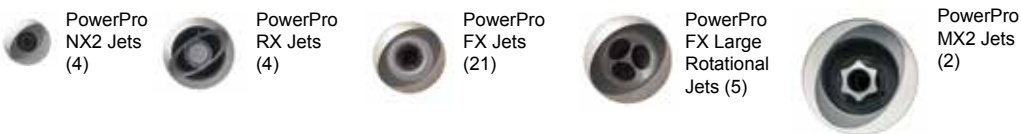
Dimensions/Specifications are Subject to Change Without Notice

Jacuzzi J-LX

Massage Selector/Air Control Diagram



36 Total Jets



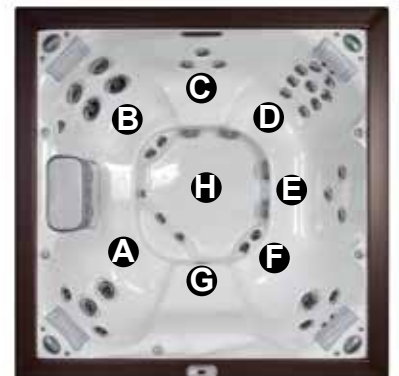
Spa Operation Subject to Change without Notice

Seat Depths

A = 28.50" (72.39 cm)
B = 28.50" (72.39 cm)
C = 23.50" (59.69 cm)
D = 29.50" (74.93 cm)
E = 28.00" (71.12 cm)

F = 29.25" (74.29 cm)
G = 20.50" (52.07 cm)
H = 33.25" (84.45 cm)

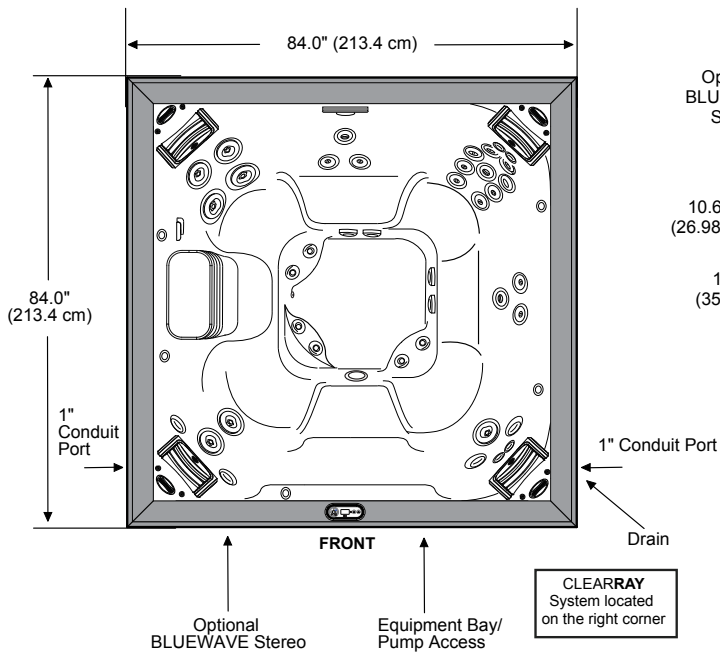
Listed dimensions represent distance from top of the deck to lowest point in seat.
 Tolerance $\pm 0.5"$ (1.27 cm).



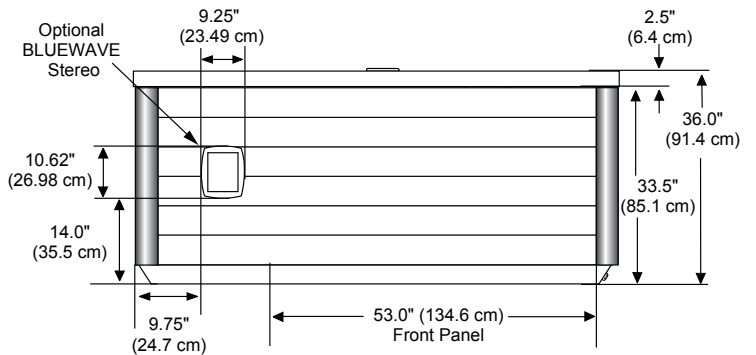
Dimensions/Specifications are Subject to Change Without Notice

Jacuzzi J-LX

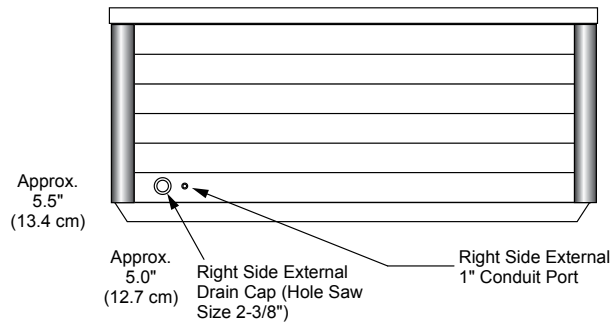
TOP VIEW



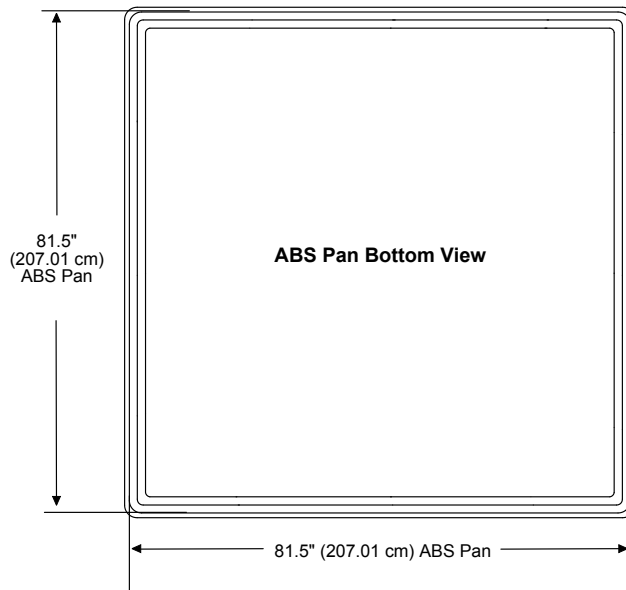
**FRONT/BACK SIDE VIEW
(Front view of stereo option shown)**




RIGHT SIDE VIEW



IMPORTANT! Always measure each hot tub for exact dimensions BEFORE designing its foundational support and/or decking.



Jacuzzi J-385

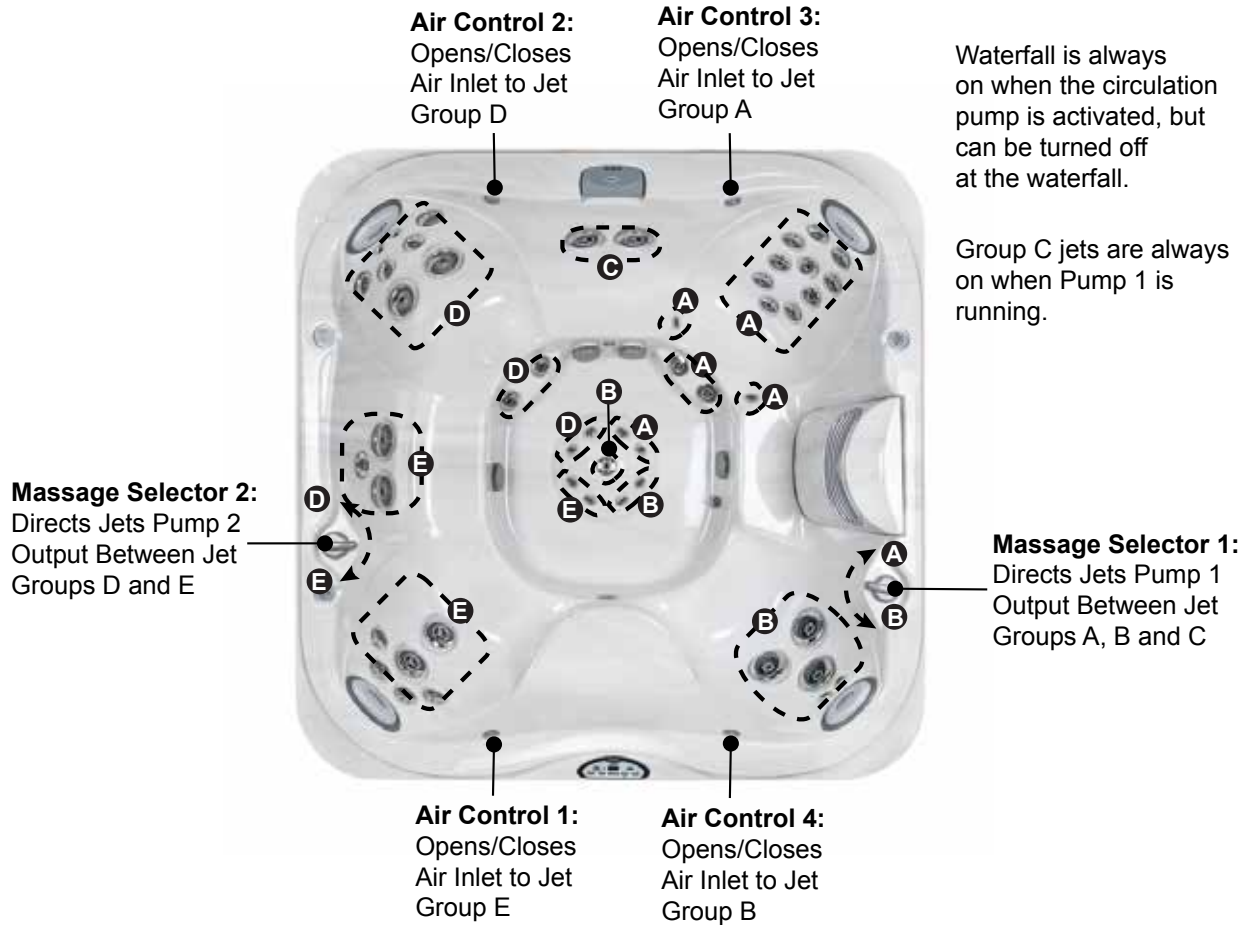
Seating Capacity.....	6-7	
Dimensions	91" x 91" x 38" (231 cm x 231 cm x 96.5 cm); For complete dimensions, see page 98	
Dry Weight.....	916 lbs (415 kg)	
Filled Weight (Spa Volume)	5,753 lbs (2,610 kg)	
Filled Weight (Average Fill).....	5,086 lbs (2,307 kg)	
Water Capacity (Spa Volume).....	580 US gallons (2,196 Liters)	
Water Capacity (Average Fill).....	500 US gallons (1,893 Liters)	
Electronic Controls	Solid state electronic controls with LCD readout, programmable temperature, filtration, and heat cycles	
Pump 1.....	North America (60 Hz): 1-Speed, 4.8 HP brake, 2.5 HP continuous, 56 Frame	
Export (50 Hz):.....	1-Speed, 2.0 HP continuous	
Pump 2.....	North America (60 Hz): 1-Speed, 4.8 HP brake, 2.5 HP continuous, 56 Frame	
Export (50 Hz):.....	1-Speed, 2.0 HP continuous	
Circulation Pump.....	Yes, 8-hour	
Heater	North America (60 Hz): 5.5kW High Flow	
Export (50 Hz).....	2.7kW High Flow	
Total PowerPro Jets	49	
Seat A Jets	4 PowerPro FX, 2 PowerPro FX Large Rotational	
Seat B Jets	1 PowerPro FX Rotational, 2 PowerPro FX Large	
Seat C Jets	2 PowerPro NX2, 2 PowerPro FX Rotational, 4 PowerPro FX, 2 PowerPro FX Large	
Seat D Jets	2 PowerPro FX Large Rotational	
Seat E Jets	10 PowerPro FX, 2 PowerPro FX Rotational, 2 PowerPro BX	
Seat F Jets.....	2 PowerPro NX2, 3 PowerPro MX2	
Footwell (F)	8 PowerPro FX Small, 1 PowerPro FX	
Massage Selectors	2	
Air Controls.....	4, On/Off rocker switch air controller	
Water Management System.....	Two 60 ft ² Filter cartridges; filter 1 on 8-hour circulation pump; filter 2 on jets pump 1; Factory installed CLEARRAY® Water Purification System	
Export (50 Hz):.....	Factory installed CLEARRAY® Water Purification System	
LED Lighting	One underwater prolite with 4 color modes, one colored waterfall lights, cup holders, and backlit pillow insert with logo	
Cabinet	Roasted Chestnut, Silverwood, Brazilian Teak	
Acrylic Colors	Platinum, Silver Pearl, Sahara, Opal, Desert, Monaco, Midnight, Caribbean Surf, Sandstone, Porcelain	
Headrests	4	
Waterfalls	One independent flow rate (on or off) adjustment; powered by the circulation pump	
Electrical Requirements:	North America (60 Hz): 240 VAC@40A, 50A, or 60A Export (50 Hz): 230-240 VAC@20A, 30A, or 40A, or suitably rated circuit breaker to comply with local electrical codes. Certain countries may require dual power inputs; two GFCI RCD breakers are required for this configuration.	
Warranty*.....	North America (60 Hz): 10 Years Shell, 7 Years Shell Surface, 5 Years for Plumbing Component Leaks, 5 Years Equipment and Controls, 5 Years Cabinet, 2 Years Jets, 2 Years Lights, 1 Year Stereo; Export (50 Hz): 10 Years Shell, 7 Years Shell Surface, 2 Years Plumbing Component Leaks, 2 Years Equipment and Controls, 2 Years Cabinet, 2 Years Jets, 2 Years Lights, 1 Year Stereo	
Special Features (Optional).....	ProLink™ remote monitoring system	
Audio System (Optional).....	BLUEWAVE® Spa Stereo System (MP3/iPod®/FM/Bluetooth/Aux compatible) with four speakers and a subwoofer, auxiliary headphone jack, USB port connections and standard wireless RF remote	

*(See Warranty Document for Specific Details)

Dimensions/Specifications are Subject to Change Without Notice

Jacuzzi J-385

Massage Selector/Air Control Diagram



49 Total Jets



Spa Operation Subject to Change without Notice

Seat Depths

A = 26.50" (67.31 cm)
B = 25.00" (63.50 cm)
C = 26.75" (67.95 cm)
D = 23.25" (59.06 cm)
E = 28.25" (71.76 cm)

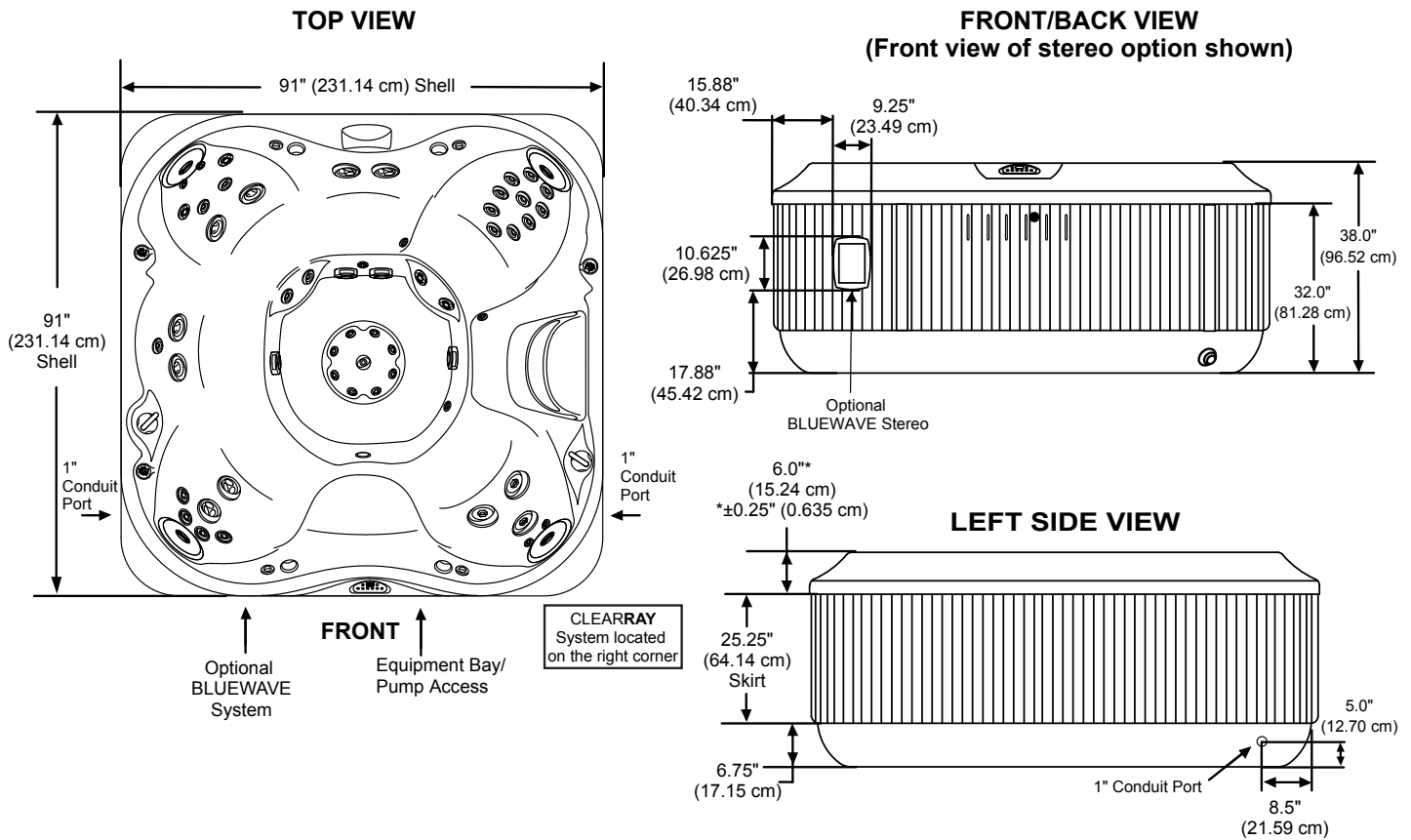
F = 27.13" (68.90 cm)
G = 17.00" (43.18 cm)
H = 33.25" (84.46 cm)

Listed dimensions represent distance from top of acrylic to lowest point in seat. Tolerance $\pm 0.5"$ (1.27 cm).

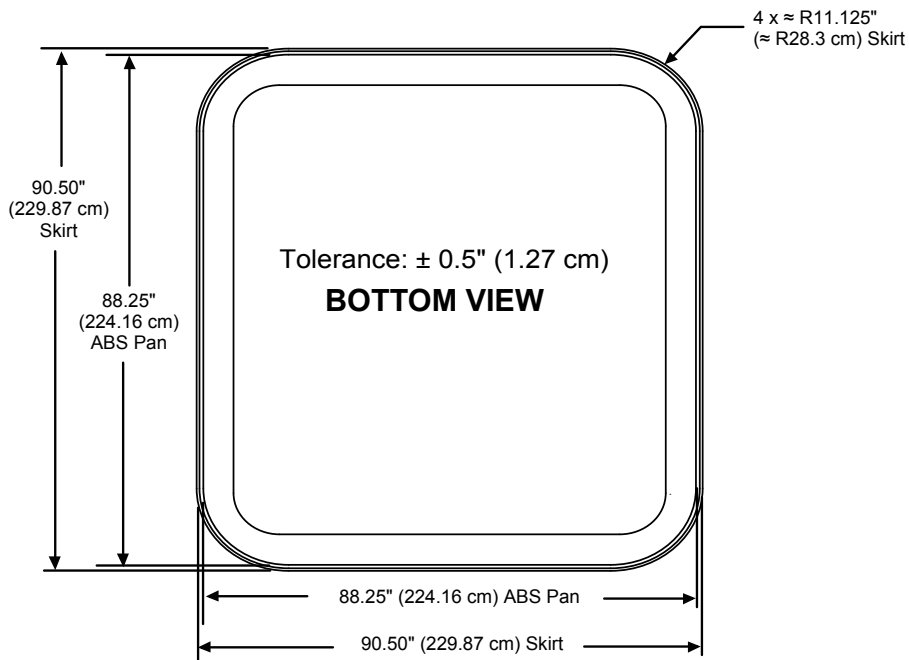


Dimensions/Specifications are Subject to Change Without Notice

Jacuzzi J-385



STOP **IMPORTANT! Always measure each hot tub for exact dimensions BEFORE designing its foundational support and/or decking.** **STOP**



Dimensions/specifications subject to change without notice. Tolerance: ± 0.5" (1.27 cm)

Jacuzzi J-375

Seating Capacity.....	6
Dimensions	91" x 91" x 38" (231 cm x 231 cm x 96.5 cm); For complete dimensions, see page 98
Dry Weight.....	897 lbs (407 kg)
Filled Weight (Spa Volume)	5,734 lbs (2,601 kg)
Filled Weight (Average Fill)	4,817 lbs (2,185 kg)
Water Capacity (Spa Volume).....	580 US gallons (2,196 Liters)
Water Capacity (Average Fill).....	470 US gallons (1,779 Liters)
Electronic Controls	Solid state electronic controls with LCD readout, programmable temperature, filtration, and heat cycles
Pump 1.....	North America (60 Hz): 1-Speed, 4.8 HP brake, 2.5 HP continuous, 56 Frame Export (50 Hz):.....1-Speed, 2.0 HP continuous
Pump 2.....	North America (60 Hz): 1-Speed, 4.8 HP brake, 2.5 HP continuous, 56 Frame Export (50 Hz):.....1-Speed, 2.0 HP continuous
Circulation Pump.....	Yes, 8-hour
Heater	North America (60 Hz): 5.5kW High Flow Export (50 Hz).....2.7kW High Flow
Total PowerPro Jets	50
Seat A Jets	2 PowerPro NX2, 2 PowerPro FX Large, 2 PowerPro FX Rotational, 2 PowerPro FX
Seat B Jets	4 PowerPro FX, 2 PowerPro FX Large Rotational, 12 PowerPro BX, 2 PowerPro FX Rotational
Seat C Jets	1 PowerPro FX Large Rotational
Seat D Jets	10 PowerPro FX, 2 PowerPro FX Rotational
Seat E Jets	2 PowerPro NX2, 3 PowerPro MX2, 2 PowerPro FX
Footwell (F)	2 PowerPro MX2
Massage Selectors	2
Air Controls.....	4, On/Off rocker switch air controller
Water Management System.....	Two 60 ft ² Filter cartridges; filter 1 on 8-hour circulation pump; filter 2 on jets pump 1; Factory installed CLEARRAY® Water Purification System Export (50 Hz):.....Factory installed CLEARRAY® Water Purification System
LED Lighting	One underwater prolite with 4 color modes, one colored waterfall lights, cup holders, and backlit pillow insert with logo
Cabinet	Roasted Chestnut, Silverwood, Brazilian Teak
Acrylic Colors	Platinum, Silver Pearl, Sahara, Opal, Desert Sand, Monaco, Midnight, Caribbean Surf, Sandstone, Porcelain
Headrests	4
Waterfalls	One independent flow rate (on or off) adjustment; powered by the circulation pump
Electrical Requirements:	North America (60 Hz): 240 VAC@40A, 50A, or 60A Export (50 Hz): 230-240 VAC@20A, 30A, or 40A, or suitably rated circuit breaker to comply with local electrical codes. Certain countries may require dual power inputs; two GFCI RCD breakers are required for this configuration.
Warranty*.....	North America (60 Hz): 10 Years Shell, 7 Years Shell Surface, 5 Years for Plumbing Component Leaks, 5 Years Equipment and Controls, 5 Years Cabinet, 2 Years Jets, 2 Years Lights, 1 Year Stereo; Export (50 Hz): 10 Years Shell, 7 Years Shell Surface, 2 Years Plumbing Component Leaks, 2 Years Equipment and Controls, 2 Years Cabinet, 2 Years Jets, 2 Years Lights, 1 Year Stereo
Special Features (Optional).....	ProLink™ remote monitoring system
Audio System (Optional).....	BLUEWAVE® Spa Stereo System (MP3/iPod®/FM/Bluetooth/Aux compatible) with four speakers and subwoofer, auxiliary headphone jack, USB port connections and standard wireless RF remote

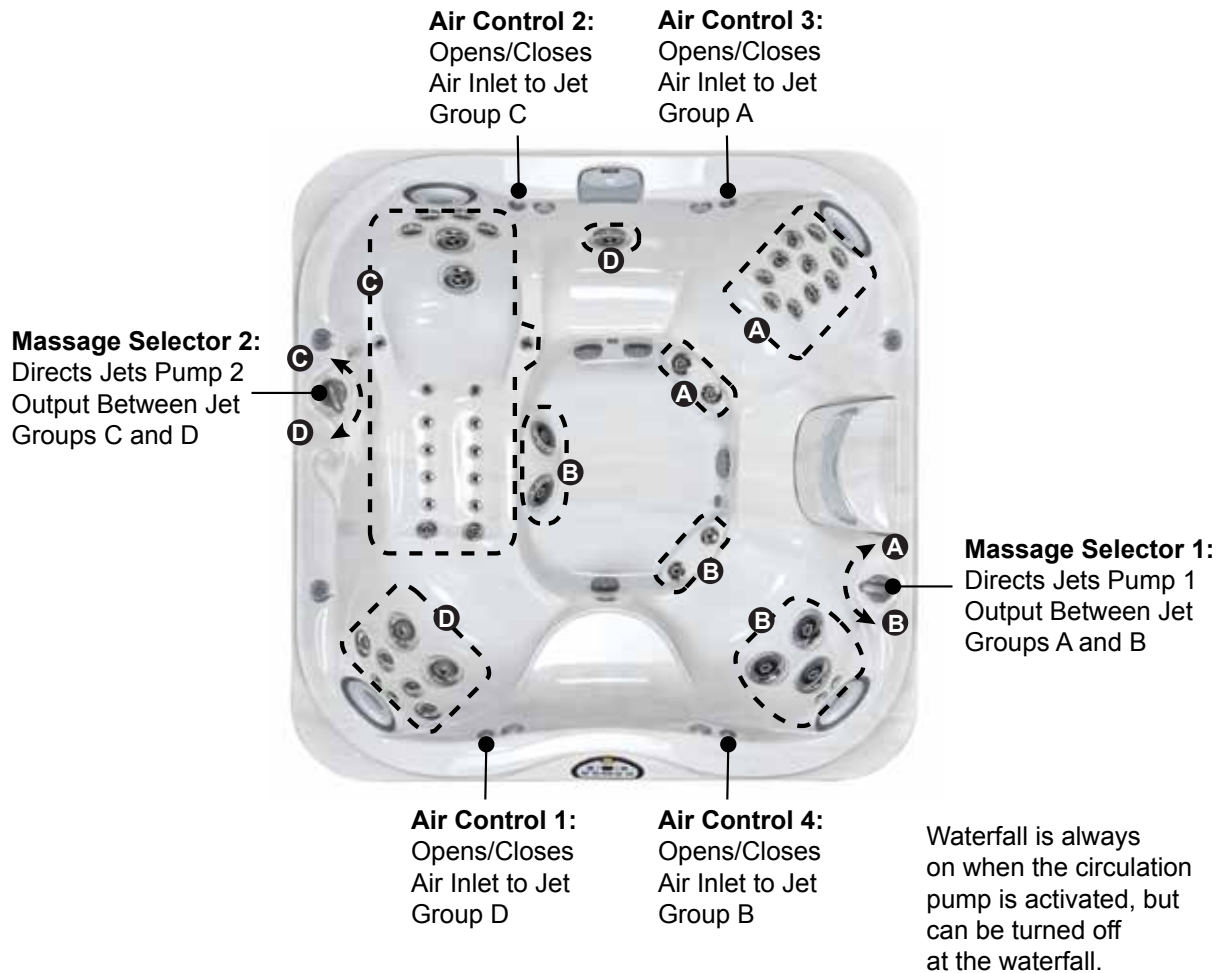


*(See Warranty Document for Specific Details)

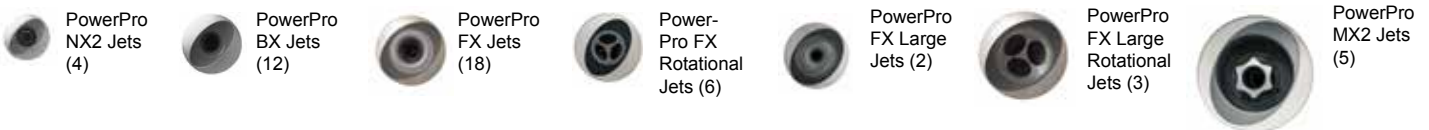
Dimensions/Specifications are Subject to Change Without Notice

Jacuzzi J-375

Massage Selector/Air Control Diagram



50 Total Jets



Spa Operation Subject to Change without Notice

Seat Depths

A = 26.50" (67.31 cm)
B = 27.50" (69.85 cm)
C = 23.50" (59.69 cm)
D = 28.25" (71.76 cm)
E = 27.25" (69.22 cm)

F = 17.00" (43.18 cm)
G = 34.00" (86.36 cm)

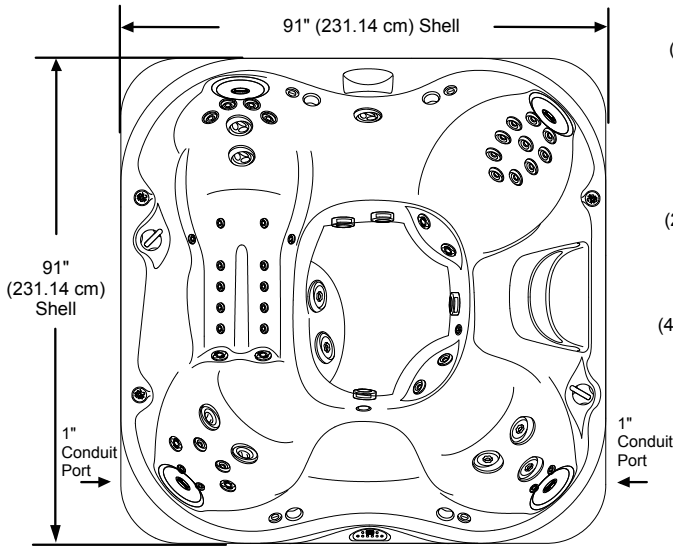
Listed dimensions represent distance from top of acrylic to lowest point in seat. Tolerance $\pm 0.5"$ (1.27 cm).



Dimensions/Specifications are Subject to Change Without Notice

Jacuzzi J-375

TOP VIEW



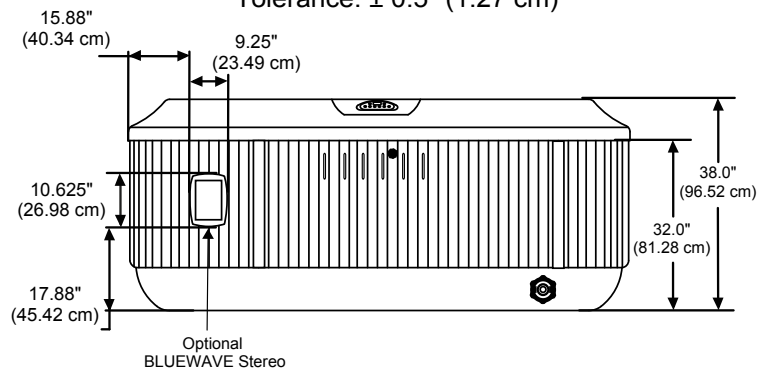
FRONT

Optional BLUEWAVE System

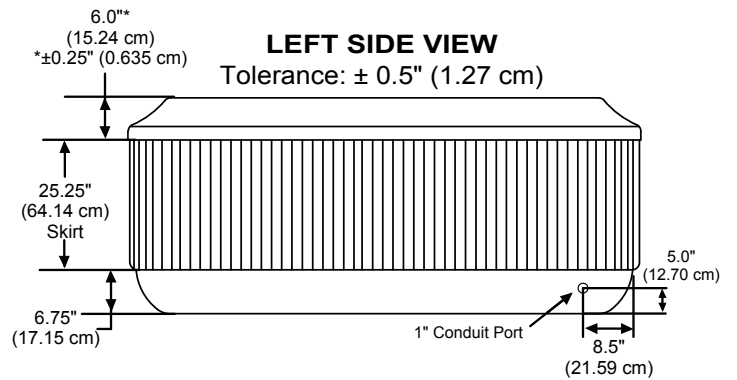
Equipment Bay/ Pump Access

CLEARRAY System located on the right corner

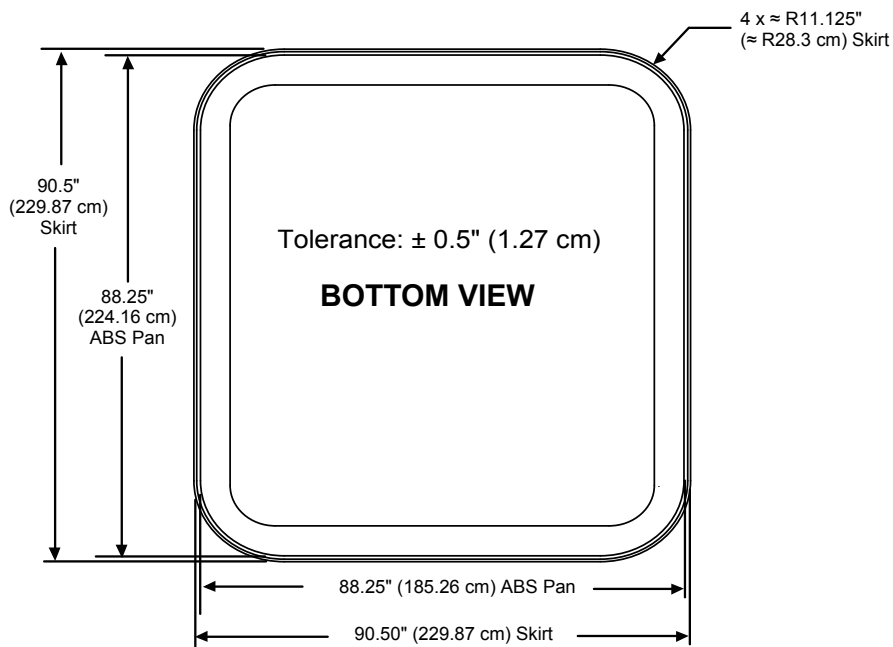
FRONT/BACK VIEW
(Front view of stereo option shown)
Tolerance: $\pm 0.5"$ (1.27 cm)



LEFT SIDE VIEW
Tolerance: $\pm 0.5"$ (1.27 cm)



IMPORTANT! Always measure each hot tub for exact dimensions BEFORE designing its foundational support and/or decking.



Dimensions/specifications subject to change without notice. Tolerance: $\pm 0.5"$ (1.27 cm)

Jacuzzi J-365

Seating Capacity	6-7 Adults
Dimensions	84" x 91" x 38" (213.5 cm x 231 cm x 96.5 cm);
	For Complete Dimensions, See page 98
Dry Weight	868 lbs (394 kg)
Filled Weight (Spa Volume)	5,038 lbs (2,285 kg)
Filled Weight (Average Fill)	4,538 lbs (2,058 kg)
Water Capacity (Spa Volume)	500 US gallons (1,893 Liters)
Water Capacity (Average Fill)	440 US gallons (1,666 Liters)
Electronic Controls	Solid state electronic controls with LCD readout, programmable temperature, filtration, and heat cycles
Pump 1	North America (60 Hz): 1-Speed, 4.8 HP brake, 2.5 HP continuous, 56 Frame
Export (50 Hz):	1-Speed, 2.0 HP continuous
Pump 2	North America (60 Hz): 1-Speed, 4.8 HP brake, 2.5 HP continuous, 56 Frame
Export (50 Hz):	1-Speed, 2.0 HP continuous
Circulation Pump	Yes, 8-Hour
Heater	North America (60 Hz): 5.5kW High Flow
Export (50 Hz)	2.7kW High Flow
Total PowerPro Jets	44
Seat A Jets	4 PowerPro FX, 2 PowerPro FX Large Rotational
Seat B Jets	1 PowerPro FX Large
Seat C Jets	2 PowerPro NX2, 2 PowerPro FX, 3 PowerPro MX2
Seat D Jets	1 PowerPro FX Large Rotational
Seat E Jets	10 PowerPro FX, 2 PowerPro FX Rotational
Seat F Jets	2 PowerPro NX2, 2 PowerPro FX Rotational, 2 PowerPro FX, 2 PowerPro FX Large
Footwell (G)	8 PowerPro FX Small, 1 PowerPro FX
Massage Selectors	2
Air Controls	4, On/Off rocker style
Water Management System	Two 60 ft ² filter cartridges; filter 1 on 8-hour circulation pump; filter 2 on jets pump 1; Factory installed CLEARRAY® Water Purification System
Export (50 Hz):	Factory installed CLEARRAY® Water Purification System
LED Lighting	One underwater light with 4 color modes, one colored waterfall lights, cup holders and backlit pillow insert with logo
Synthetic Cabinet Colors	Silverwood, Roasted Chestnut, Brazilian Teak
Acrylic Colors	Platinum, Silver Pearl, Sahara, Opal, Desert Sand, Monaco, Midnight, Caribbean Surf, Sandstone, Porcelain
Headrests	4
Waterfalls	One independent flow rate (on or off) adjustment; powered by the circulation pump
Electrical Requirements:	North America (60 Hz): 240 VAC@40A, 50A, or 60A
	Export (50 Hz): 230-240 VAC@20A, 30A, or 40A, or suitably rated circuit breaker to comply with local electrical codes. Certain countries may require dual power inputs; two GFCI RCD Breakers are required for this configuration.
Warranty*	North America (60 Hz): 10 Years Shell, 7 Years Shell Surface, 5 Years Plumbing Component Leaks, 5 Years Equipment and Controls, 5 Years Cabinet, 2 Years Jets, 2 Years Lights, 1 Year Stereo;
	Export (50 Hz): 10 Years Shell, 7 Years Shell Surface, 2 Years Plumbing Component Leaks, 2 Years Equipment and Controls, 2 Years Cabinet, 2 Years Jets, 2 Years Lights, 1 Year Stereo
Special Features (Optional)	ProLink™ remote monitoring system
Audio System (Optional)	BLUEWAVE® Spa Stereo System (MP3/iPod®/FM/Bluetooth/Aux compatible) with four speakers and subwoofer, auxiliary headphone jack, USB port connections and standard wireless RF remote



*(See Warranty Document for Specific Details)

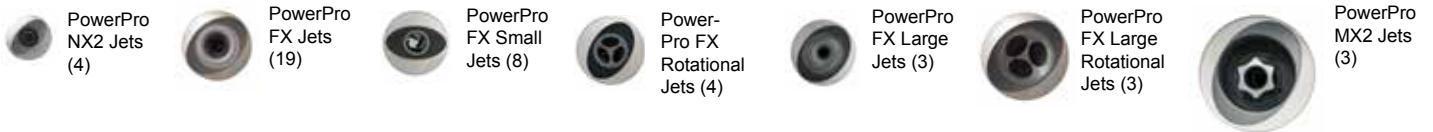
Dimensions/Specifications are Subject to Change Without Notice

Jacuzzi J-365

Massage Selector/Air Control Diagram



44 Total Jets



Spa Operation Subject to Change without Notice

Seat Depths

A = 26.50" (67.47 cm)
B = 25.25" (64.14 cm)
C = 25.25" (64.14 cm)
D = 23.75" (60.33 cm)
E = 28.25" (71.76 cm)

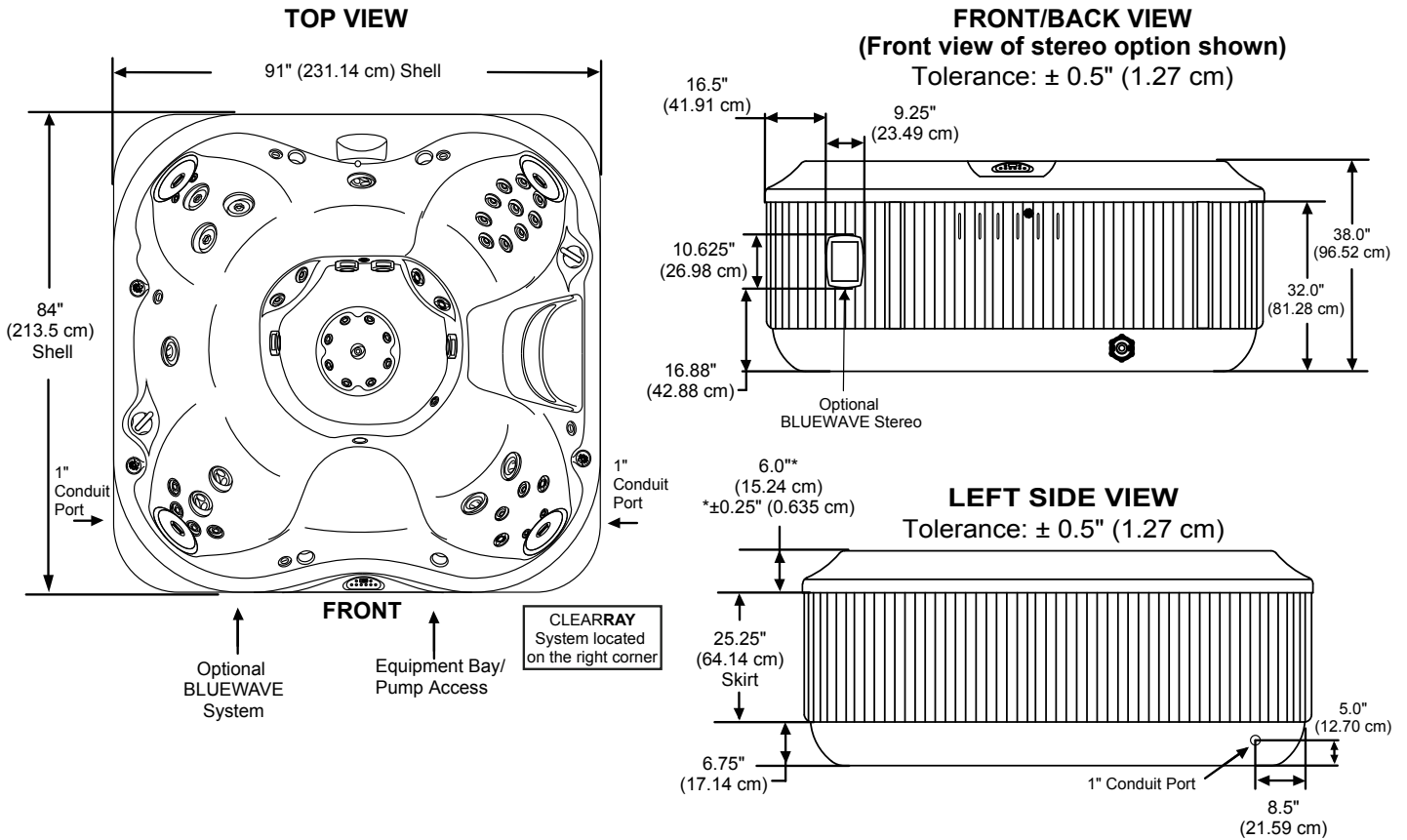
F = 27.25" (69.22 cm)
G = 17.50" (44.45 cm)
H = 33.75" (85.73 cm)

Listed dimensions represent distance from top of acrylic to lowest point in seat. Tolerance $\pm 0.5"$ (1.27 cm).

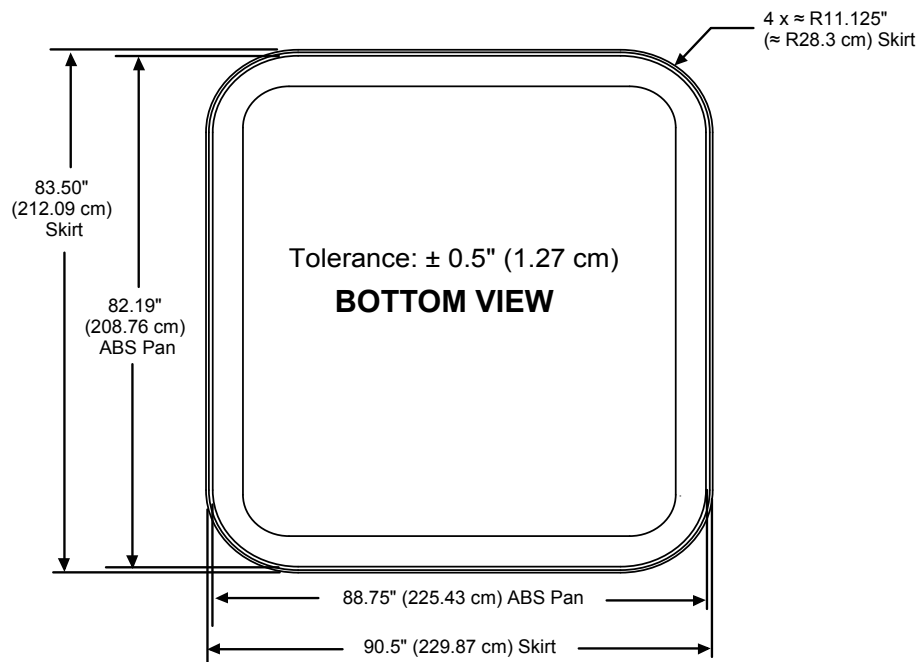


Dimensions/Specifications are Subject to Change Without Notice

Jacuzzi J-365




STOP **IMPORTANT! Always measure each hot tub for exact dimensions BEFORE designing its foundational support and/or decking.** **STOP**



Dimensions/specifications subject to change without notice. Tolerance: $\pm 0.5"$ (1.27 cm)

Jacuzzi J-355

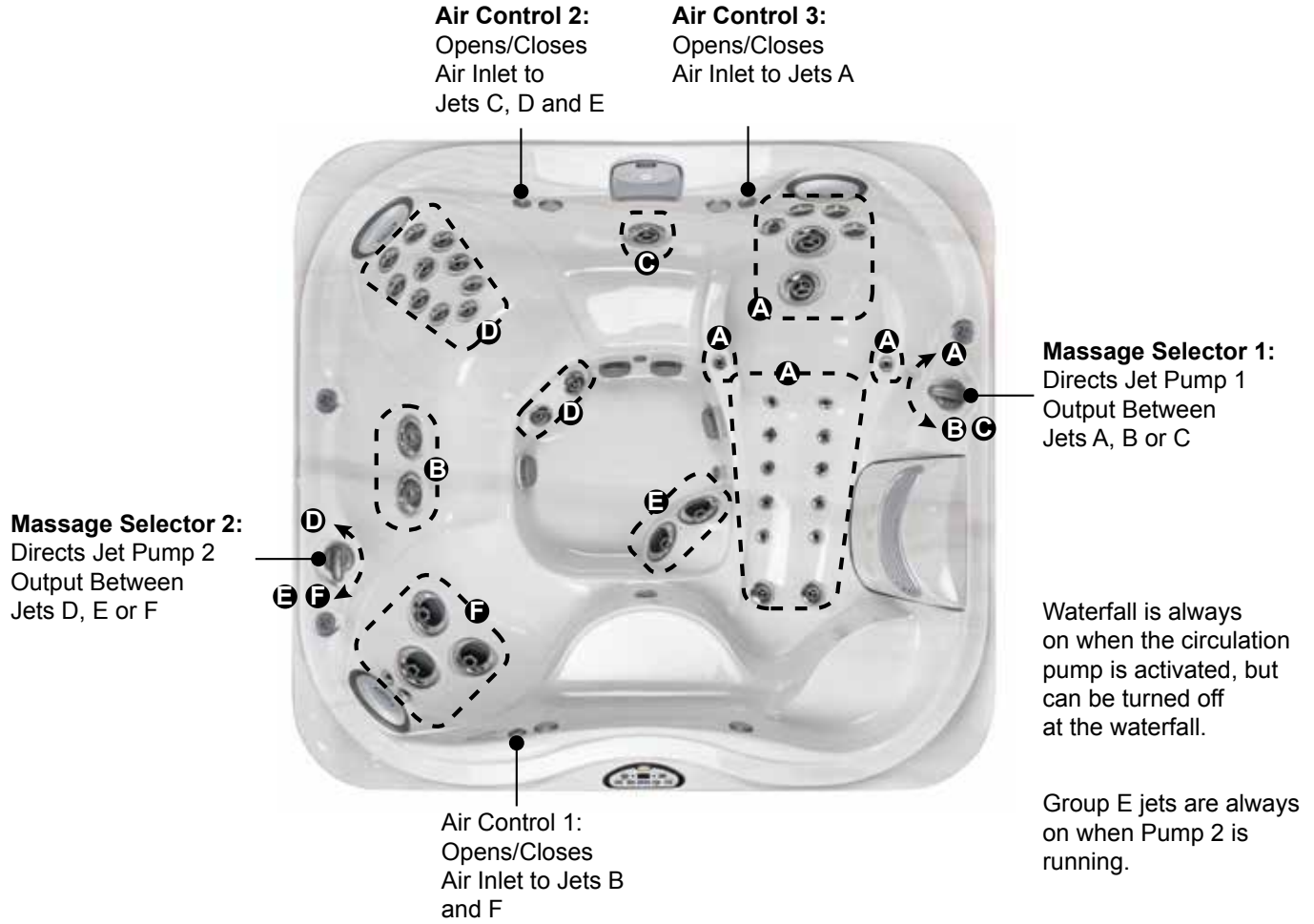
Seating Capacity.....	5-6 Adults	
Dimensions	84" x 91" x 38" (213.5 cm x 231 cm x 96.5 cm); For Complete Dimensions, See page 98	
Dry Weight.....	836 lbs (379 kg)	
Filled Weight (Spa Volume)	4,923 lbs (2,233 kg)	
Filled Weight (Average Fill).....	4,172 lbs (1,892 kg)	
Water Capacity (Spa Volume)	490 US gallons (1,855 Liters)	
Water Capacity (Average Fill)	400 US gallons (1,514 Liters)	
Electronic Controls	Solid state electronic controls with LCD readout, programmable temperature, filtration, and heat cycles	
Pump 1.....	North America (60 Hz): 1-Speed, 4.8 HP brake, 2.5 HP continuous, 56 Frame	
Export (50 Hz):.....	1-Speed, 2.0 HP continuous	
Pump 2.....	North America (60 Hz): 1-Speed, 4.8 HP brake, 2.5 HP continuous, 56 Frame	
Export (50 Hz):.....	1-Speed, 2.0 HP continuous	
Circulation Pump.....	Yes, 8-hour	
Heater	North America (60 Hz): 5.5kW High Flow	
Export (50 Hz).....	2.7kW High Flow	
Total PowerPro Jets	42	
Seat A Jets	2 PowerPro NX2, 3 PowerPro MX2	
Seat B Jets	2 PowerPro FX Large	
Seat C Jets	10 PowerPro FX, 2 PowerPro FX Rotational	
Seat D Jets	1 PowerPro FX Large Rotational	
Seat E Jets	4 PowerPro FX, 2 PowerPro FX Large Rotational, 12 PowerPro BX, 2 PowerPro FX Rotational	
Footwell (F)	2 PowerPro MX2	
Massage Selectors	2	
Air Controls.....	3, On/Off rocker style	
Water Management System	Two 60 ft ² filter cartridges; filter 1 on 8-hour circulation pump; filter 2 on jets pump 1; Factory installed CLEARRAY® Water Purification System	
Export (50 Hz):.....	Factory installed CLEARRAY® Water Purification System	
LED Lighting	One underwater light with 4 color modes, one colored waterfall lights, cup holders, and backlit pillow insert with logo	
Synthetic Cabinet Colors	Silverwood, Roasted Chestnut, Brazilian Teak	
Acrylic Colors	Platinum, Silver Pearl, Sahara, Opal, Desert Sand, Monaco, Midnight, Caribbean Surf, Sandstone, Porcelain	
Headrests	3	
Waterfalls	One independent flow rate (on or off) adjustment; powered by the circulation pump	
Electrical Requirements:.....	North America (60 Hz): 240 VAC@40A, 50A, or 60A Export (50 Hz): 230-240 VAC@20A, 30A or 40A, or suitably rated circuit breaker to comply with local electrical codes. Certain countries may require dual power inputs; two GFCI RCD Breakers are required for this configuration.	
Warranty*	North America (60 Hz): 10 Years Shell, 7 Years Shell Surface, 5 Years for Plumbing Component Leaks, 5 Years Equipment and Controls, 5 Years Cabinet, 2 Years Jets, 2 Years Lights, 1 Year Stereo; Export (50 Hz): 10 Years Shell, 7 Years Shell Surface, 2 Years Plumbing Component Leaks, 2 Years Equipment and Controls, 2 Years Cabinet, 2 Years Jets, 2 Years Lights, 1 Year Stereo	
Special Features (Optional)	ProLink™ remote monitoring system	
Audio System (Optional).....	BLUEWAVE® Spa Stereo System (MP3/iPod®/FM/Bluetooth/Aux compatible) with four speakers and subwoofer, auxiliary headphone jack, USB port connections and standard wireless RF remote	

*(See Warranty Document for Specific Details)

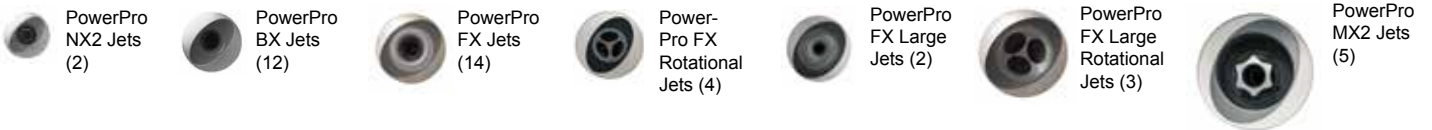
Dimensions/Specifications are Subject to Change Without Notice

Jacuzzi J-355

Massage Selector/Air Control Diagram



42 Total Jets



Spa Operation Subject to Change without Notice

Seat Depths

A = 25.25" (64.14 cm)

B = 26.50" (67.31 cm)

C = 28.75" (73.02 cm)

D = 21.25" (53.98 cm)

E = 27.00" (68.58 cm)

F = 9.25" (23.50 cm)

G = 13.50" (34.29 cm)

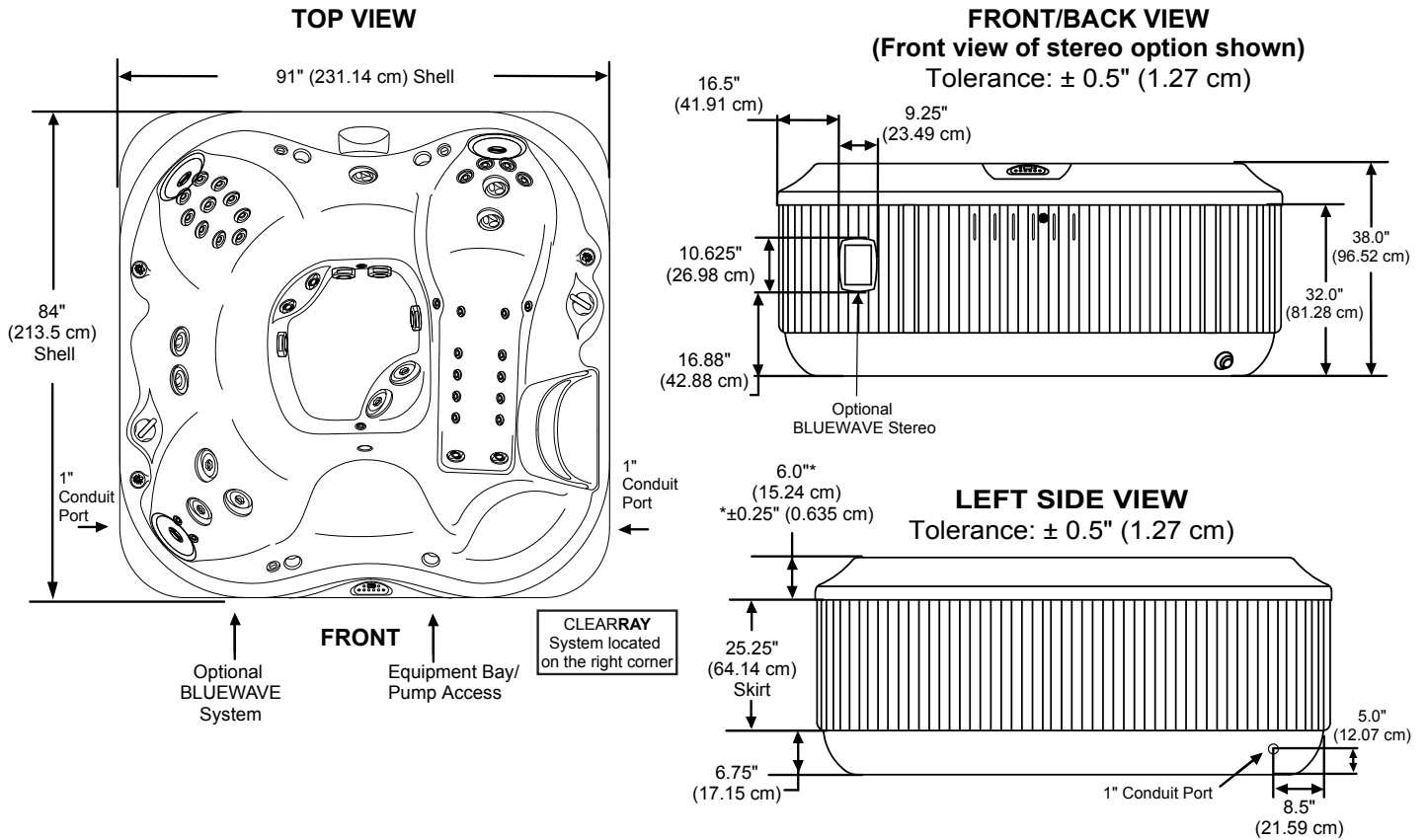
H = 33.25" (84.45 cm)

Listed dimensions represent distance from top of acrylic to lowest point in seat.
Tolerance $\pm 0.5"$ (1.27 cm).

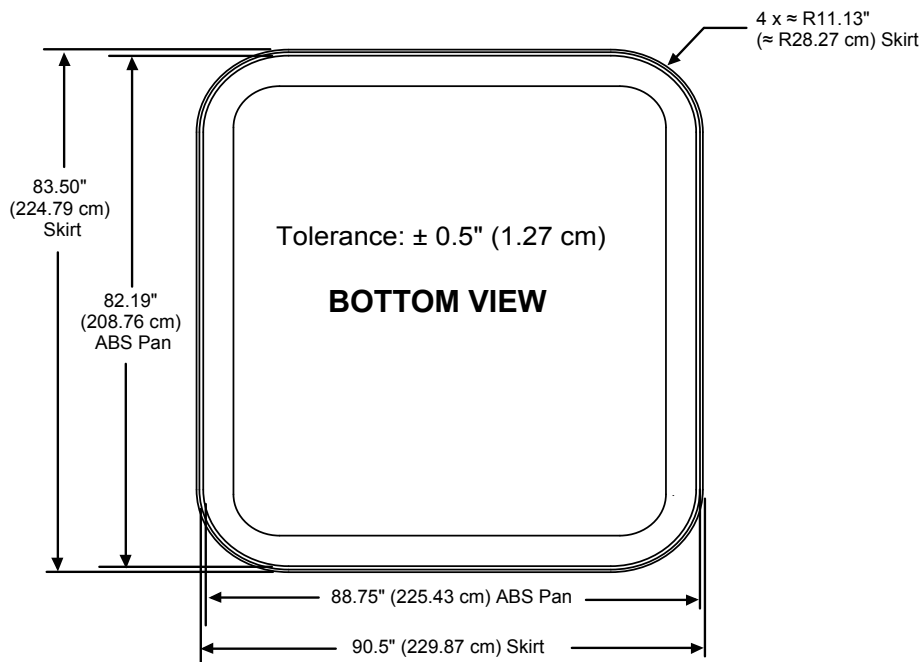


Dimensions/Specifications are Subject to Change Without Notice

Jacuzzi J-355




IMPORTANT! Always measure each hot tub for exact dimensions BEFORE designing its foundational support and/or decking.



Dimensions/specifications subject to change without notice. Tolerance: $\pm 0.5"$ (1.27 cm)

Jacuzzi J-345

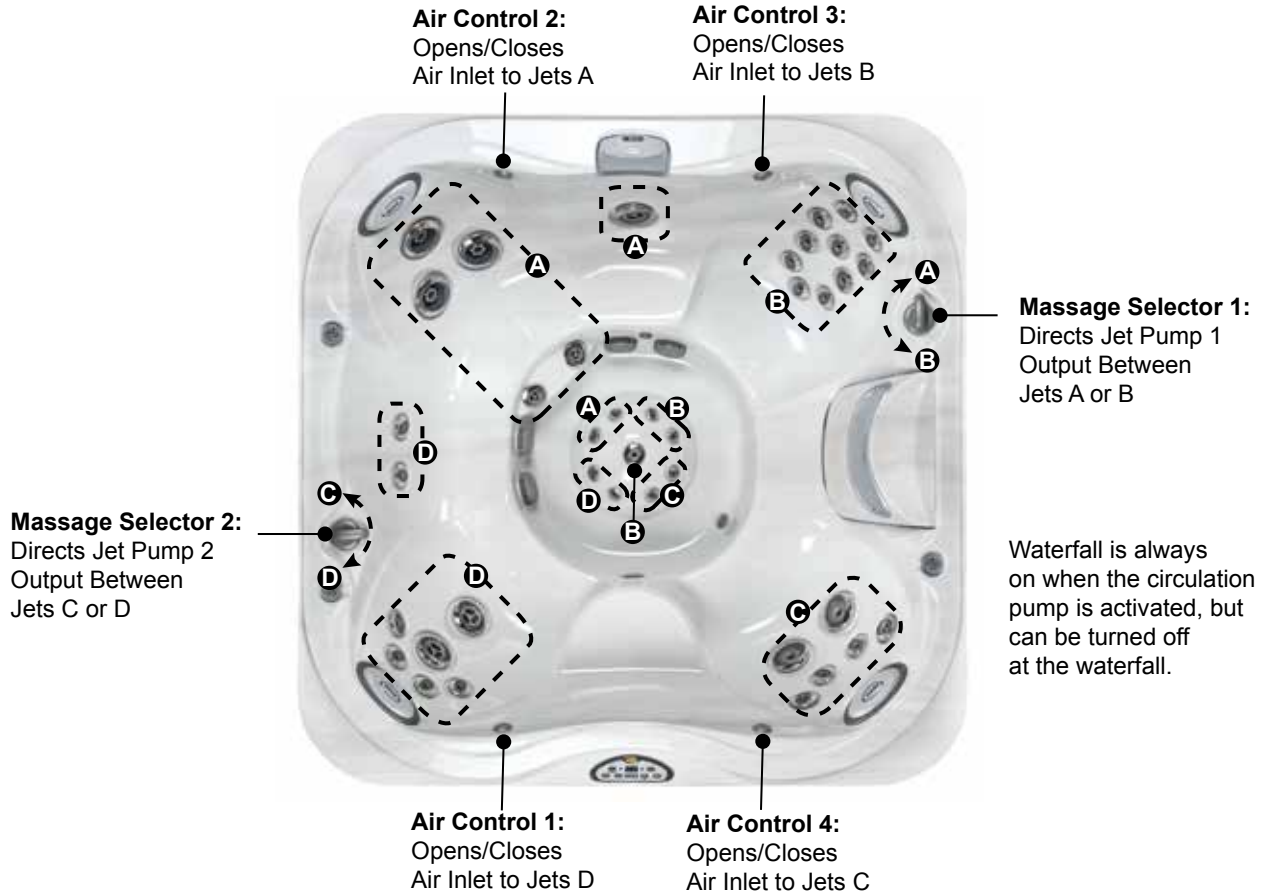
Seating Capacity	5-6 Adults	
Dimensions	84" x 84" x 36" (213.5 cm x 213.5 cm x 91.5 cm);	
	For Complete Dimensions, See page 98	
Dry Weight	825 lbs (374 kg)	
Filled Weight (Spa Volume)	4,661 lbs (2,114 kg)	
Filled Weight (Average Fill)	3,850 lbs (1,746 kg)	
Water Capacity (Spa Volume)	460 US gallons (1,741 Liters)	
Water Capacity (Average Fill)	370 US gallons (1,401 Liters)	
Electronic Controls	Solid state electronic controls with LCD readout, programmable temperature, filtration, and heat cycles	
Pump 1	North America (60 Hz): 1-Speed, 4.8 HP brake, 2.5 HP continuous, 56 Frame	
Export (50 Hz):	1-Speed, 2.0 HP continuous	
Pump 2	North America (60 Hz): 1-Speed, 4.8 HP brake, 2.5 HP continuous, 56 Frame	
Export (50 Hz):	1-Speed, 2.0 HP continuous	
Circulation Pump	Yes, 8-hour	
Heater	North America (60 Hz): 5.5kW High Flow	
Export (50 Hz)	2.7kW High Flow	
Total PowerPro Jets	39	
Seat A Jets	4 PowerPro FX, 2 PowerPro FX Large Rotational, 2 PowerPro FX Small	
Seat B Jets	2 PowerPro FX	
Seat C Jets	3 PowerPro MX2, 2 PowerPro FX Rotational, 2 PowerPro FX Small	
Seat D Jets	1 PowerPro FX Large Rotational	
Seat E Jets	10 PowerPro FX, 2 PowerPro FX Small	
Seat F Jets	2 PowerPro FX Large, 2 PowerPro FX Rotational, 2 PowerPro FX, 2 PowerPro FX Small	
Footwell (G)	8 PowerPro FX Small, 1 PowerPro FX	
Massage Selectors	2	
Air Controls	4, On/Off rocker style	
Water Management System	Two 60 ft ² filter cartridges; filter 1 on 8-hour circulation pump; filter 2 on jets pump 1; Factory installed CLEARRAY® Water Purification System)	
Export (50 Hz):	Factory installed CLEARRAY® Water Purification System	
LED Lighting	One underwater light with 4 color modes, one colored waterfall lights, cup holders, and backlit pillow insert with logo	
Synthetic Cabinet Colors	Silverwood, Roasted Chestnut, Brazilian Teak	
Acrylic Colors	Platinum, Silver Pearl, Sahara, Opal, Desert Sand, Monaco, Midnight, Caribbean Surf, Sandstone, Porcelain	
Headrests	4	
Waterfall	One independent flow rate (on or off) adjustment; powered by the circulation pump	
Electrical Requirements:	North America (60 Hz): 240 VAC@40A, 50A, or 60A	
	Export (50 Hz): 230-240 VAC@20A, 30A or 40A, or suitably rated circuit breaker to comply with local electrical codes. Certain countries may require dual power inputs; two GFCI RCD breakers are required for this configuration.	
Warranty*	North America (60 Hz): 10 Years Shell, 7 Years Shell Surface, 5 Years for Plumbing Component Leaks, 5 Years Equipment and Controls, 5 Years Cabinet, 2 Years Jets, 2 Years Lights, 1 Year Stereo;	
	Export (50 Hz): 10 Years Shell, 7 Years Shell Surface, 2 Years Plumbing Component Leaks, 2 Years Equipment and Controls, 2 Years Cabinet, 2 Years Jets, 2 Years Lights, 1 Year Stereo	
Special Features (Optional)	ProLink™ remote monitoring system	
Audio System (Optional)	BLUEWAVE® Spa Stereo System (MP3/iPod®/FM/Bluetooth/Aux compatible) with four speakers and subwoofer, auxiliary headphone jack, USB port connections and standard wireless RF remote	

*(See Warranty Document for Specific Details)

Dimensions/Specifications are Subject to Change Without Notice

Jacuzzi J-345

Massage Selector/Air Control Diagram



39 Total Jets



Spa Operation Subject to Change without Notice

Seat Depths

A = 25.25" (64.1 cm)
B = 25.25" (64.1 cm)
C = 25.13" (63.8 cm)
D = 23.50" (59.7 cm)
E = 28.50" (72.4 cm)

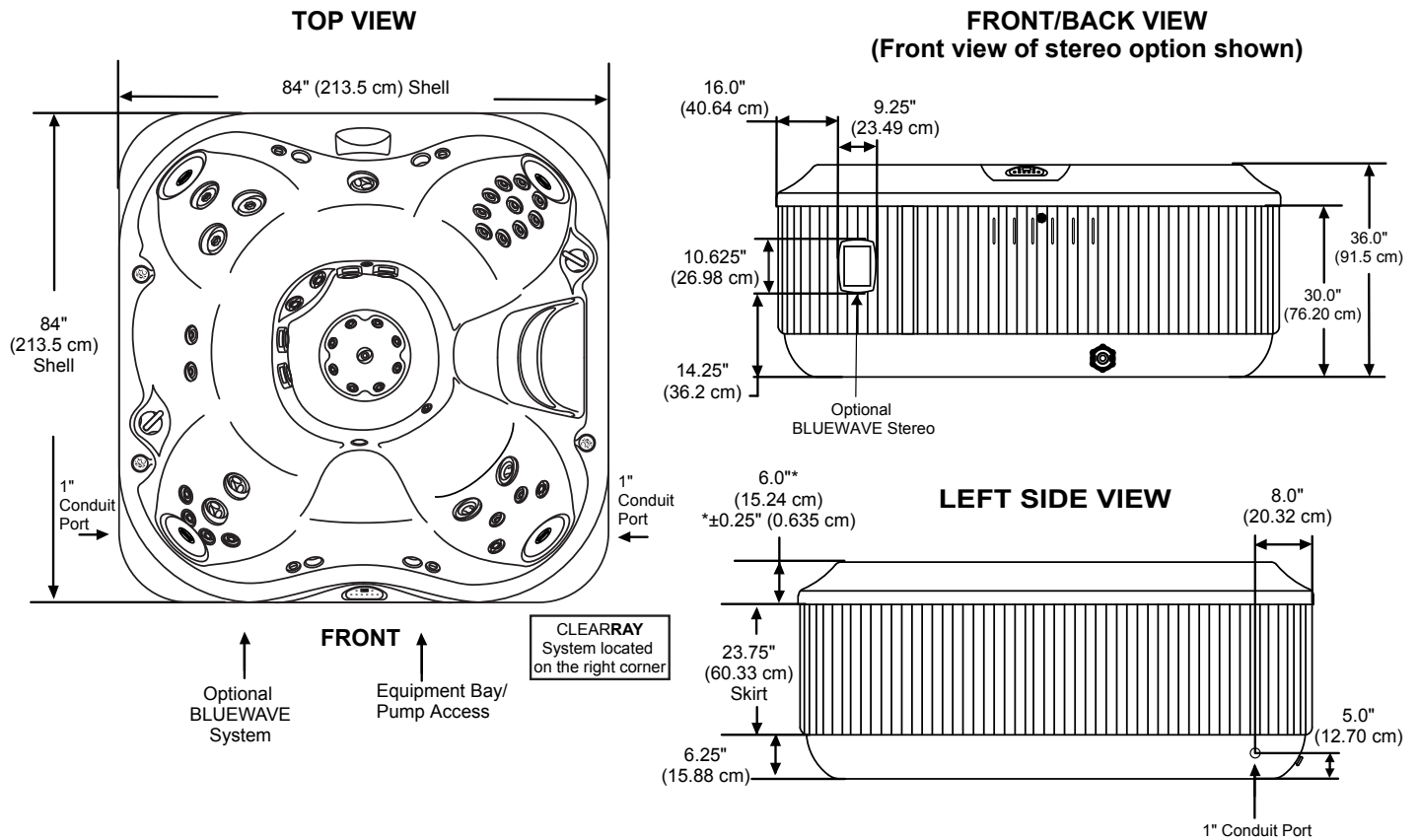
F = 25.13" (63.8 cm)
G = 16.75" (42.5 cm)
H = 33.5" (85.1 cm)

Listed dimensions represent distance from top of acrylic to lowest point in seat.
 Tolerance $\pm 0.5"$ (1.27 cm).

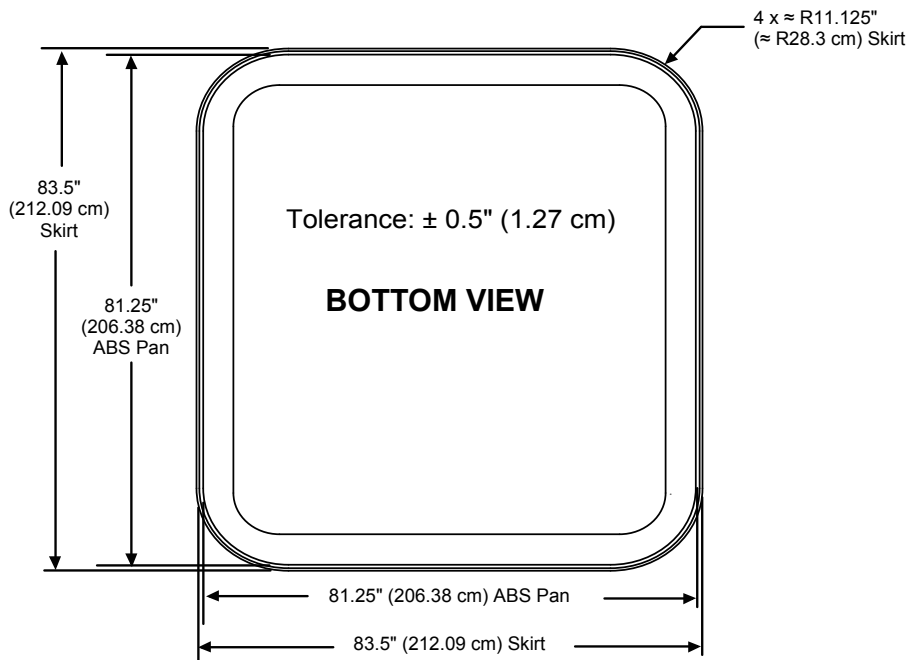


Dimensions/Specifications are Subject to Change Without Notice

Jacuzzi J-345



IMPORTANT! Always measure each hot tub for exact dimensions BEFORE designing its foundational support and/or decking.



Dimensions/specifications subject to change without notice. Tolerance: ± 0.5" (1.27 cm)

Jacuzzi J-335

Seating Capacity	4-5 Adults
Dimensions	84" x 84" x 36" (213.5 cm x 213.5 cm x 91.5 cm); For Complete Dimensions, See page 98
Dry Weight	754 lbs (342 kg)
Filled Weight (Spa Volume)	4,507 lbs (2,044 kg)
Filled Weight (Average Fill)	3,756 lbs (1,704 kg)
Water Capacity (Spa Volume)	450 US gallons (1,703 Liters)
Water Capacity (Average Fill)	360 US gallons (1,363 Liters)
Electronic Controls	Solid state electronic controls with LCD readout, programmable temperature, filtration, and heat cycles
Pump 1	North America (60 Hz): 1-Speed, 4.8 HP brake, 2.5 HP continuous, 56 Frame Export (50 Hz):.....1-Speed, 2.0 HP continuous
Pump 2	North America (60 Hz): 1-Speed, 4.8 HP brake, 2.5 HP continuous, 56 Frame Export (50 Hz):.....1-Speed, 2.0 HP continuous
Circulation Pump	Yes, 8-hour
Heater	North America (60 Hz): 5.5 kW High Flow Export (50 Hz).....2.7 kW High Flow
Total PowerPro Jets	40
Seat A Jets	2 PowerPro FX Large Rotational
Seat B Jets	4 PowerPro FX, 1 PowerPro FX Large Rotational, 12 PowerPro BX
Seat C Jets	1 PowerPro FX Large Rotational
Seat D Jets	10 PowerPro FX, 2 PowerPro FX Rotational
Seat E Jets	2 PowerPro FX, 2 PowerPro FX Rotational, 2 PowerPro FX Large
Footwell (F)	2 PowerPro MX2
Massage Selectors	2
Air Controls	3, On/Off rocker style
Water Management System	Two 60 ft ² filter cartridges; filter 1 on 8-hour circulation pump; filter 2 on jets pump 1; Factory installed CLEARRAY® Water Purification System Export (50 Hz):.....Factory installed CLEARRAY® Water Purification System
LED Lighting	One underwater light with 4 color modes, one colored waterfall lights, cup holders, and backlit pillow insert with logo
Synthetic Cabinet Colors	Silverwood, Roasted Chestnut, Brazilian Teak
Acrylic Colors	Platinum, Silver Pearl, Sahara, Opal, Desert Sand, Monaco, Midnight, Caribbean Surf, Sandstone, Porcelain
Headrests	4
Waterfall	One independent flow rate (on or off) adjustment; powered by the circulation pump
Electrical Requirements:	North America (60 Hz): 240 VAC@40A, 50A, or 60A Export (50 Hz): 230-240 VAC@20A, 30A or 40A, or suitably rated circuit breaker to comply with local electrical codes. Certain countries may require dual power inputs; two GFCI RCD breakers are required for this configuration.
Warranty*	North America (60 Hz): 10 Years Shell, 7 Years Shell Surface, 5 Years Plumbing Component Leaks, 5 Years Equipment and Controls, 5 Years Cabinet, 2 Years Jets, 2 Years Lights, 1 Year Stereo; Export (50 Hz): 10 Years Shell, 7 Years Shell Surface, 2 Years Plumbing Component Leaks, 2 Years Equipment and Controls, 2 Years Cabinet, 2 Years Jets, 2 Years Lights, 1 Year Stereo
Special Features (Optional)	ProLink™ remote monitoring system
Audio System (Optional)	BLUEWAVE® Spa Stereo System (MP3/iPod®/FM/Bluetooth/Aux compatible) with four speakers and subwoofer, auxiliary headphone jack, USB port connections and standard wireless RF remote

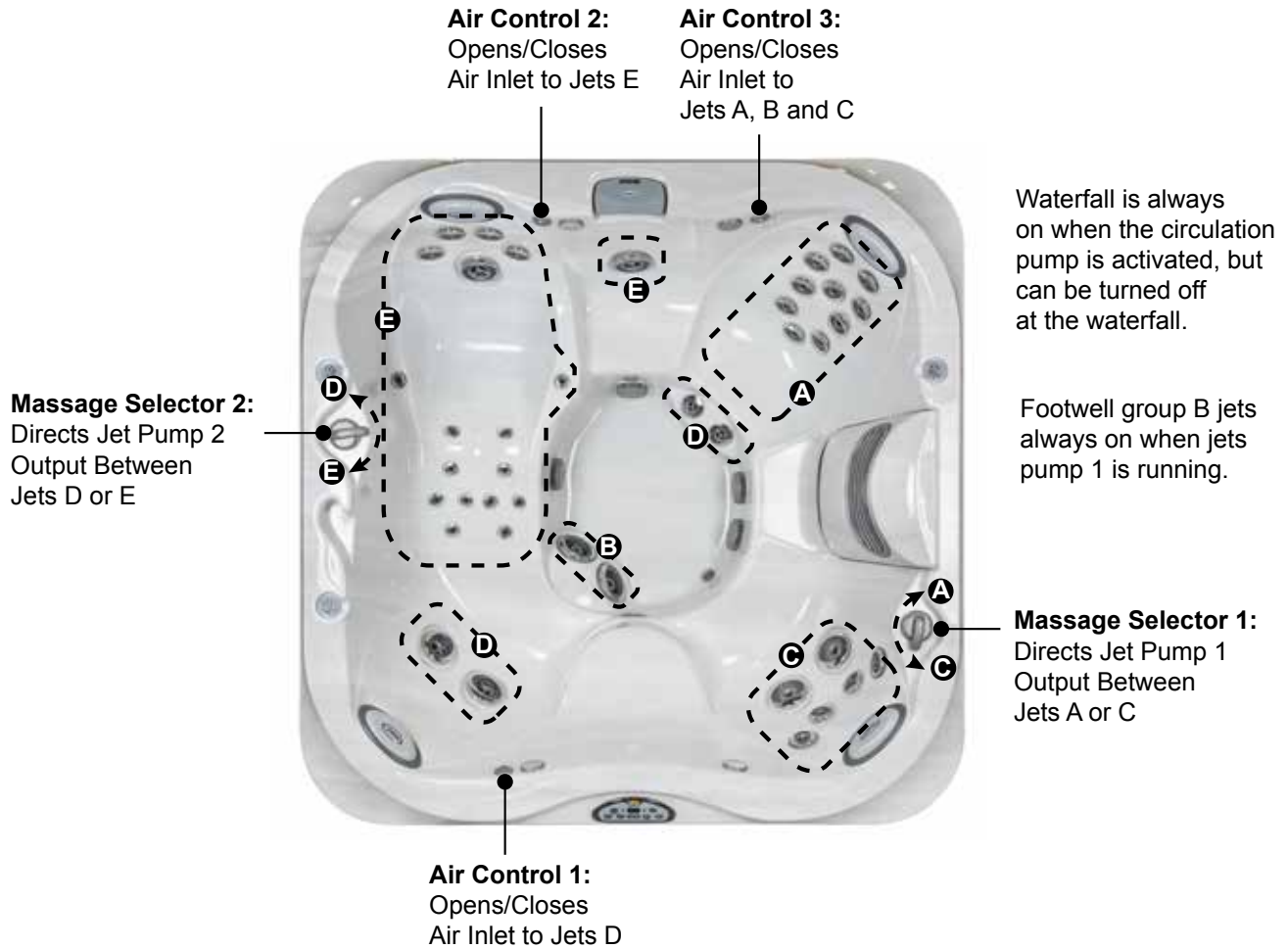


*(See Warranty Document for Specific Details)

Dimensions/Specifications are Subject to Change Without Notice

Jacuzzi J-335

Massage Selector/Air Control Diagram



40 Total Jets



Spa Operation Subject to Change without Notice

Seat Depths

A = 25.75" (65.4 cm)
B = 27.50" (69.9 cm)
C = 23.50" (59.7 cm)
D = 28.25" (71.8 cm)
E = 22.75" (57.8 cm)

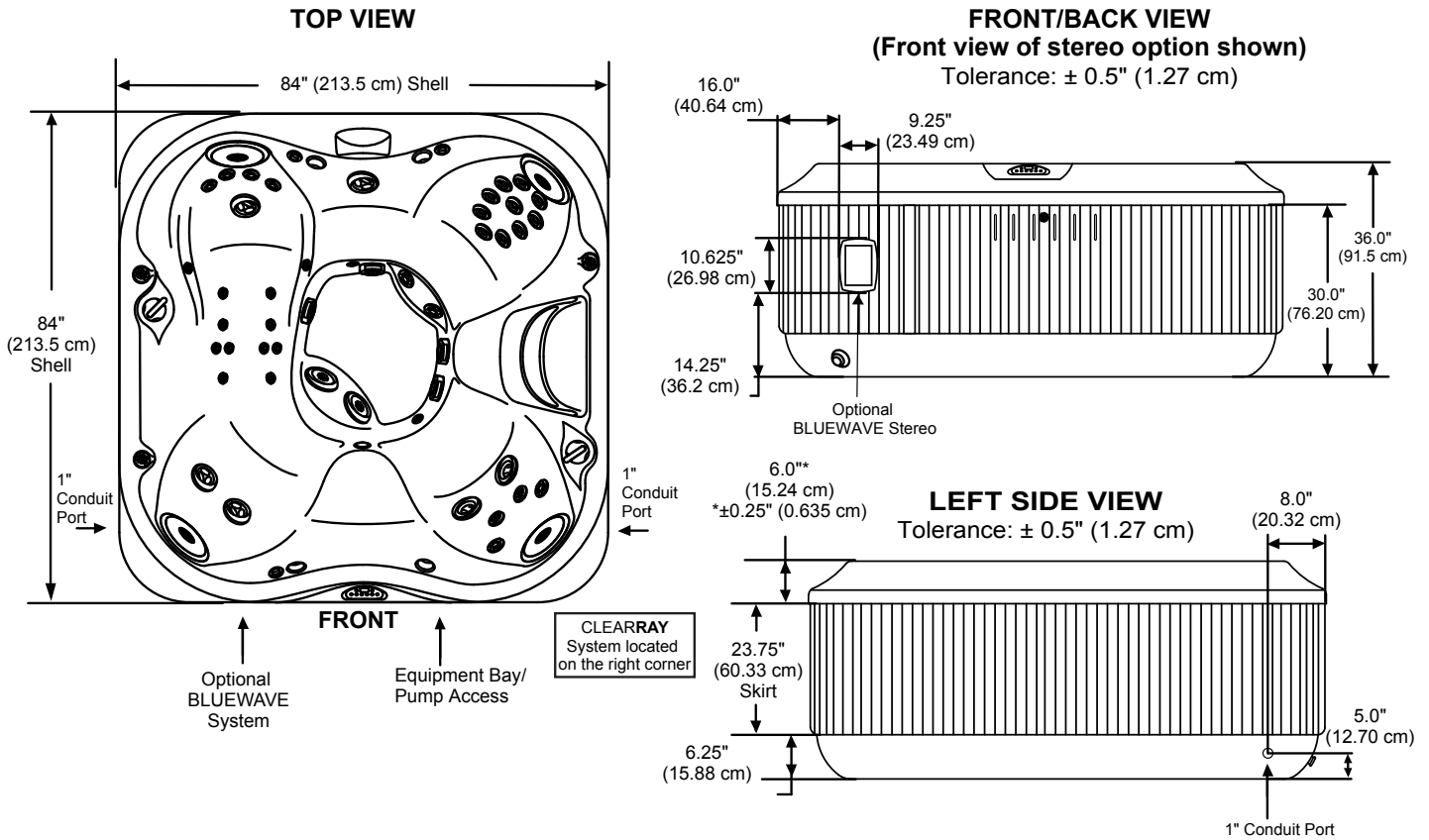
F = 25.50" (64.8 cm)
G = 16.75" (42.5 cm)
H = 33.50" (85.1 cm)

Listed dimensions represent distance from top of acrylic to lowest point in seat.
 Tolerance $\pm 0.5"$ (1.27 cm).

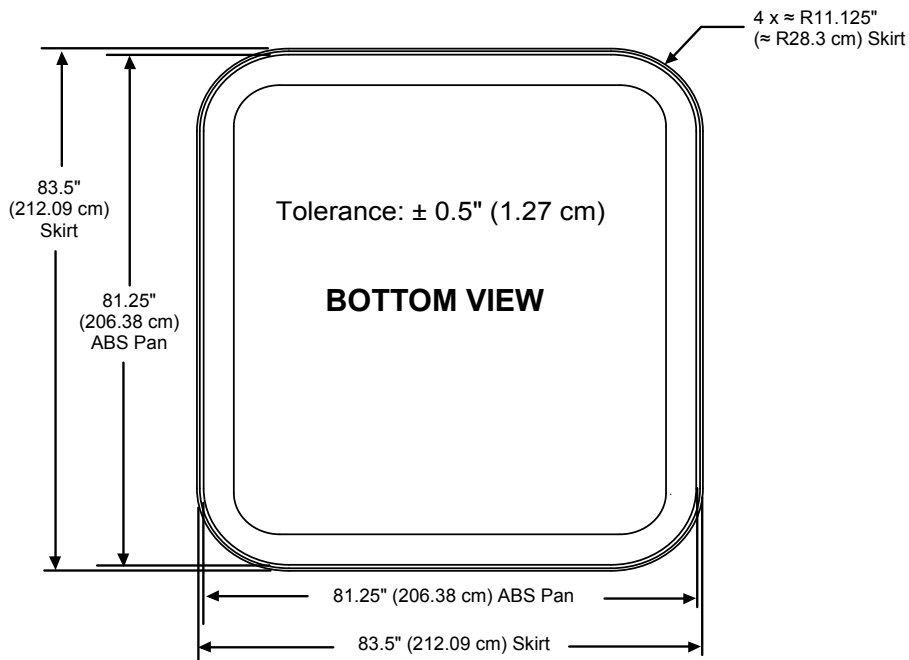


Dimensions/Specifications are Subject to Change Without Notice

Jacuzzi J-335



IMPORTANT! Always measure each hot tub for exact dimensions BEFORE designing its foundational support and/or decking.



Dimensions/specifications subject to change without notice. Tolerance: $\pm 0.5"$ (1.27 cm)

Jacuzzi J-325

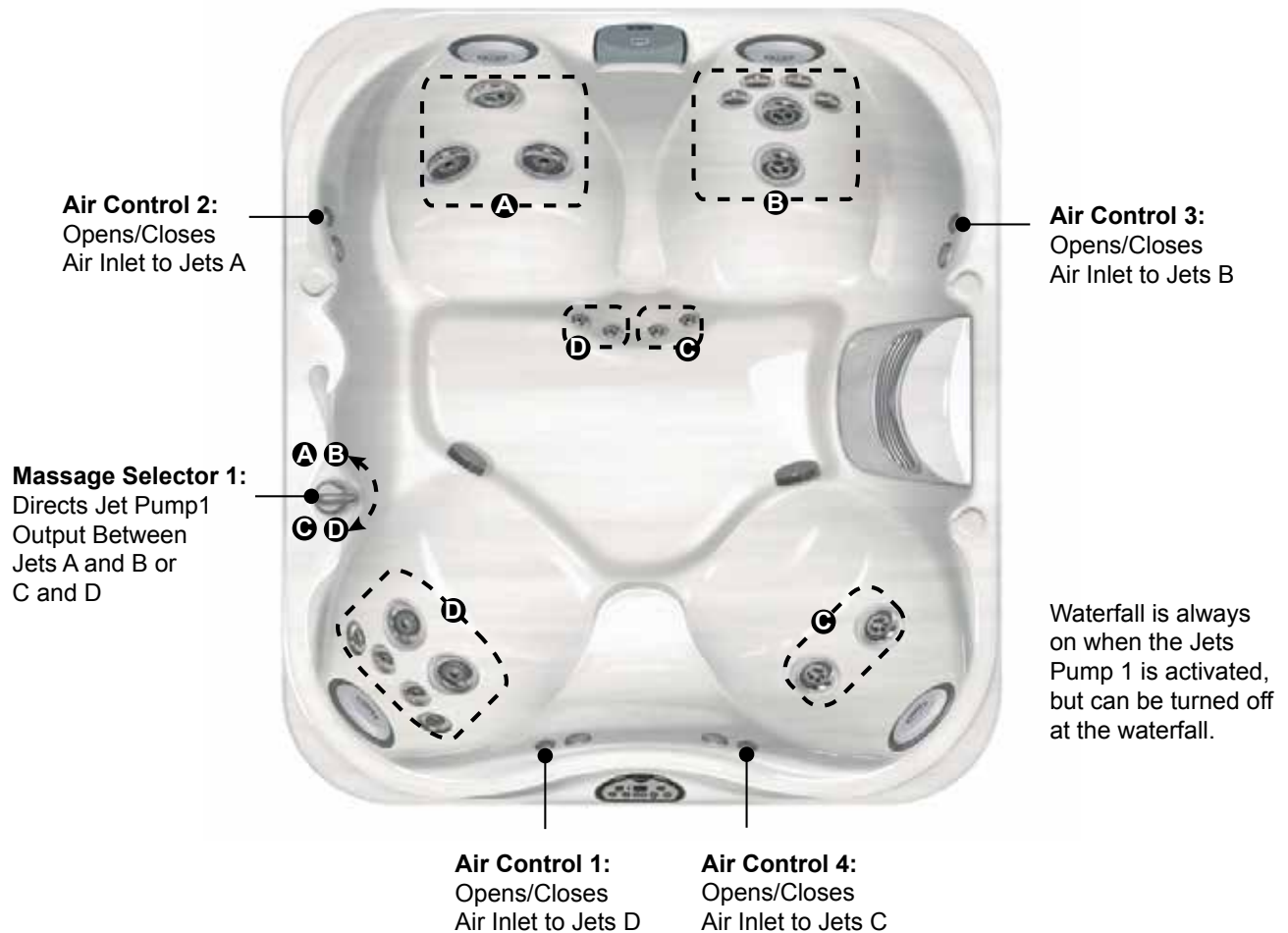
Seating Capacity	4-5 Adults	
Dimensions	84" x 76" x 34" (213.5 cm x 193 cm x 86.5 cm); For Complete Dimensions, See page 98	
Dry Weight	687 lbs (312 kg)	
Filled Weight (Spa Volume)	4,357 lbs (1,976 kg)	
Filled Weight (Average Fill)	3,689 lbs (1,674 kg)	
Water Capacity (Spa Volume) ...	440 US gallons (1,666 Liters)	
Water Capacity (Average Fill) ...	360 US gallons (1,363 Liters)	
Electronic Controls	Solid state electronic controls with LCD readout, programmable temperature, filtration, and heat cycles	
Pump 1	North America (60 Hz): 1-Speed, 2.5 HP brake, 1.5 HP continuous, 56 Frame Export (50 Hz): 1-Speed, 2.0 HP continuous	
Circulation Pump	Yes, 24-hour	
Heater	North America (60 Hz): 4.0 kW Low Flow Export (50 Hz)..... 2.7 kW Low Flow	
Total PowerPro Jets	21	
Seat A Jets	2 PowerPro FX, 2 PowerPro FX Rotational, 2 PowerPro FX Large	
Seat B Jets	1 PowerPro FX Large Rotational, 2 PowerPro FX Large	
Seat C Jets	4 PowerPro FX, 2 PowerPro FX Large Rotational	
Seat D Jets	2 PowerPro FX Large Rotational	
Footwell (E)	4 PowerPro FX Small	
Massage Selectors	1	
Air Controls	4, On/Off rocker style	
Water Management System	Two 60 ft ² filter cartridges; filter 1 on 24-hour circulation pump; filter 2 on jets pump 1; Factory installed CLEARRAY® Water Purification System) Export (50 Hz): Factory installed CLEARRAY® Water Purification System	
LED Lighting	One underwater light with 4 color modes, one colored waterfall lights, pillow lights	
Synthetic Cabinet Colors	Silverwood, Roasted Chestnut, Brazilian Teak	
Acrylic Colors	Platinum, Silver Pearl, Sahara, Opal, Desert Sand, Monaco, Midnight, Caribbean Surf, Sandstone, Porcelain	
Headrests	4	
Waterfall	One independent flow rate (on or off) adjustment; powered by by the circulation pump	
Electrical Requirements:	North America (60 Hz): 120 VAC@15A or 240 VAC@30A, 40A, Export (50 Hz): 230-240 VAC@20A or 30A, or suitably rated circuit breaker to comply with local electrical codes. Certain countries may require dual power inputs; two GFCI RCD Breakers are required for this configuration.	
Warranty*	North America (60 Hz): 10 Years Shell, 7 Years Shell Surface, 5 Years Plumbing Component Leaks, 5 Years Equipment and Controls, 5 Years Cabinet, 2 Years Jets, 2 Years Lights, 1 Year Stereo; Export (50 Hz): 10 Years Shell, 7 Years Shell Surface, 2 Years Plumbing Component Leaks, 2 Years Equipment and Controls, 2 Years Cabinet, 2 Years Jets, 2 Years Lights, 1 Year Stereo	
Special Features (Optional)	ProLink™ remote monitoring system	
Audio System (Optional)	BLUEWAVE® Spa Stereo System (MP3/iPod®/FM/Bluetooth/Aux compatible) with four speakers and subwoofer, auxiliary headphone jack, USB port connections and standard wireless RF remote	

*(See Warranty Document for Specific Details)

Dimensions/Specifications are Subject to Change Without Notice

Jacuzzi J-325

Massage Selector/Air Control Diagram



21 Total Jets



Spa Operation Subject to Change without Notice

Seat Depths

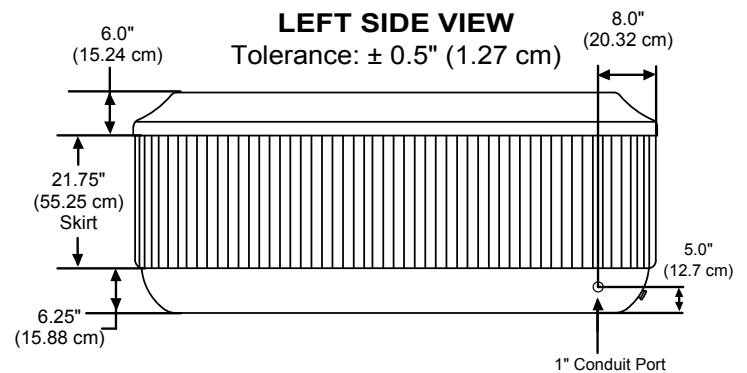
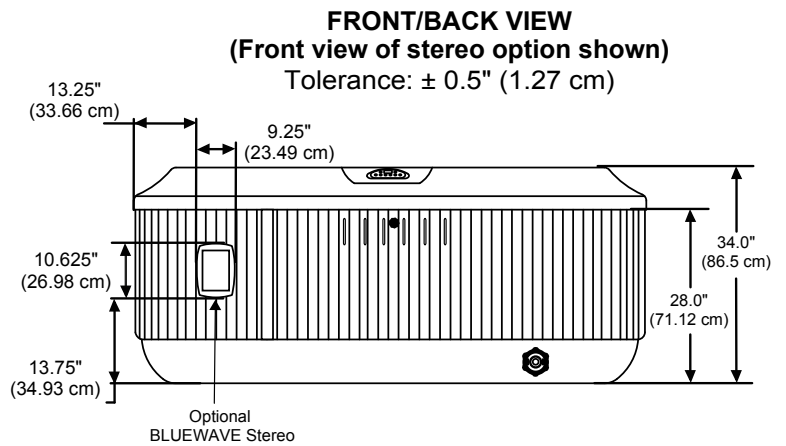
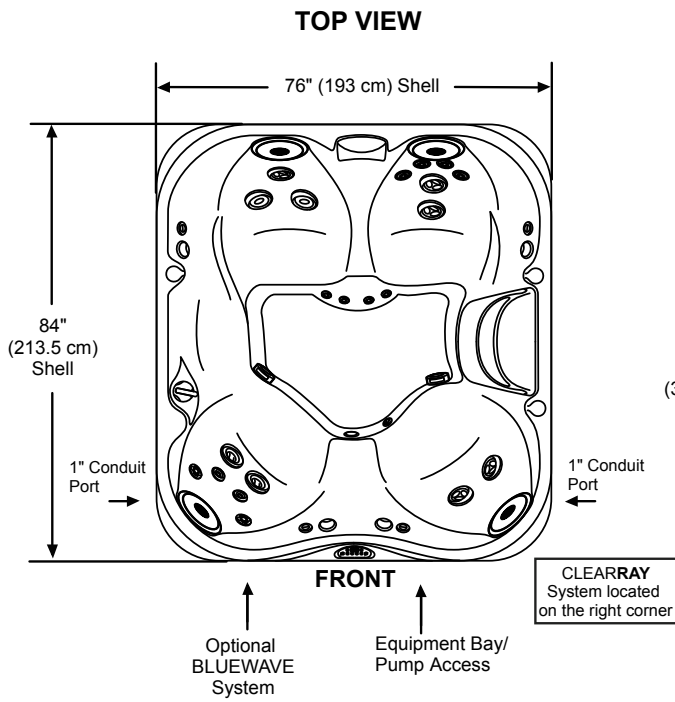
- A = 27.38" (69.5 cm)
- B = 27.38" (69.5 cm)
- C = 27.38" (69.5 cm)
- D = 25.75" (65.4 cm)
- E = 16.63" (42.2 cm)
- F = 31.25" (79.4 cm)

Listed dimensions represent distance from top of acrylic to lowest point in seat.
Tolerance $\pm 0.5"$ (1.27 cm).

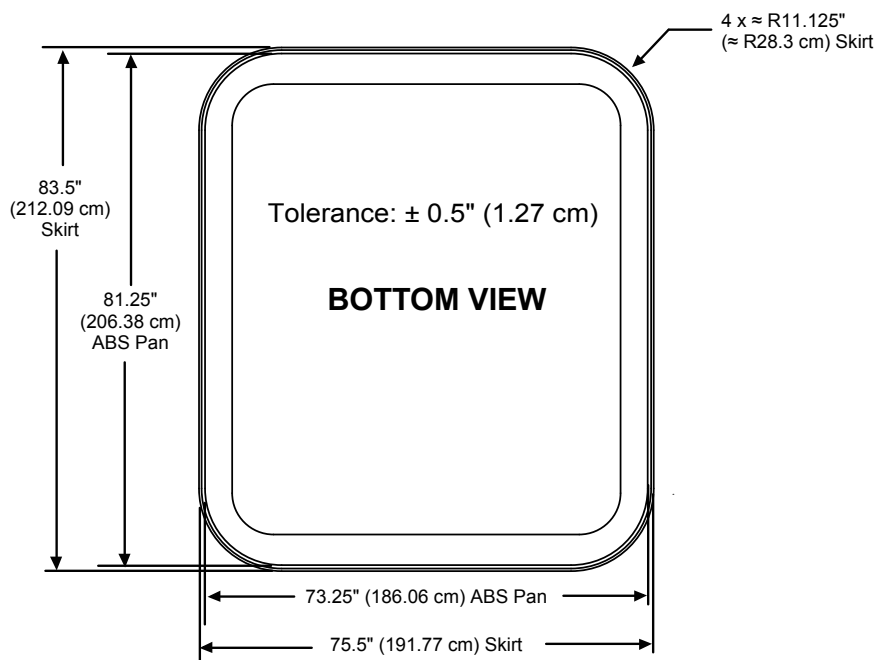


Dimensions/Specifications are Subject to Change Without Notice

Jacuzzi J-325



IMPORTANT! Always measure each hot tub for exact dimensions BEFORE designing its foundational support and/or decking.



Dimensions/specifications subject to change without notice. Tolerance: $\pm 0.5"$ (1.27 cm)

Jacuzzi J-315

Seating Capacity	2-3 Adults
Dimensions	66" x 76" x 32" (168 cm x 193 cm x 81 cm); For Complete Dimensions, See page 98
Dry Weight	571 lbs (259 kg)
Filled Weight (Spa Volume)	2,906 lbs (1,318 kg)
Filled Weight (Average Fill)	2,489 lbs (1,129 kg)
Water Capacity (Spa Volume) ...	280 US gallons (1,060 Liters)
Water Capacity (Average Fill) ...	230 US gallons (871 Liters)
Electronic Controls	Solid state electronic controls with LCD read-out, programmable temperature, filtration, and heat cycles
Pump 1	North America (60 Hz): 1-Speed, 2.5 HP brake, 1.5 HP continuous, 56 Frame Export (50 Hz): 1-Speed, 2.0 HP continuous
Circulation Pump	Yes, 24-hour
Heater	North America (60 Hz): 4.0 kW Low Flow Export (50 Hz)..... 2.7 kW Low Flow
Total PowerPro Jets	21
Seat A Jets	2 PowerPro FX Rotational, 2 PowerPro FX
Seat B Jets	6 PowerPro FX, 2 PowerPro FX Large Rotational, 6 PowerPro BX
Seat C Jets	1 PowerPro FX Large Rotational, 2 PowerPro FX Large Rotational
Massage Selectors	1
Air Controls	3, On/Off rocker style
Water Management System	Two 60 ft ² filter cartridges; filter 1 on 24-hour circulation pump; filter 2 on jets pump 1; Factory installed CLEARRAY® Water Purification System Export (50 Hz): Factory installed CLEARRAY® Water Purification System
LED Lighting	One underwater light with 4 color modes, one colored waterfall lights and pillow lights
Synthetic Cabinet Colors	Silverwood, Roasted Chestnut, Brazilian Teak
Acrylic Colors	Platinum, Sahara, Opal, Silver Pearl, Desert Sand, Monaco
Headrests	3
Waterfall	One independent flow rate (on or off) adjustment; powered by the circulation pump
Electrical Requirements:	North America (60 Hz): 120 VAC@15A or 240 VAC@30A, 40A Export (50 Hz): 230-240 VAC@20A, or 30A, or suitably rated circuit breaker to comply with local electrical codes. Certain countries may require dual power inputs; two GFCI RCD breakers are required for this configuration.
Warranty*	North America (60 Hz): 10 Years Shell, 7 Years Shell Surface, 5 Years Plumbing Component Leaks, 5 Years Equipment and Controls, 5 Years Cabinet, 2 Years Jets, 2 Years Lights, 1 Year Stereo; Export (50 Hz): 10 Years Shell, 7 Years Shell Surface, 2 Years Plumbing Component Leaks, 2 Years Equipment and Controls, 2 Years Cabinet, 2 Years Jets, 2 Years Lights, 1 Year Stereo
Special Features (Optional)	ProLink™ remote monitoring system
Audio System (Optional)	BLUEWAVE® Spa Stereo System (MP3/iPod®/FM/Bluetooth/Aux compatible) with four speakers and subwoofer, auxiliary headphone jack, USB port connections and standard wireless RF remote

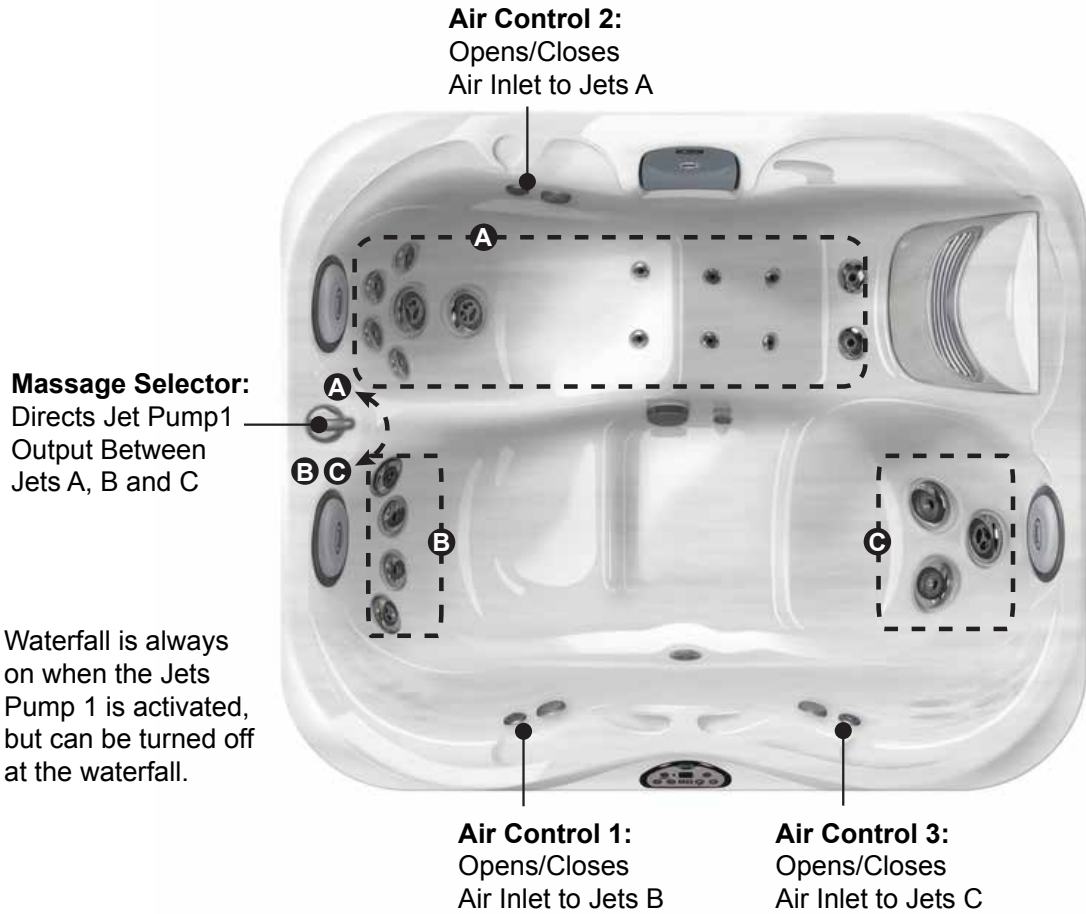


*(See Warranty Document for Specific Details)

Dimensions/Specifications are Subject to Change Without Notice

Jacuzzi J-315

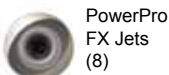
Massage Selector/Air Control Diagram



21 Total Jets (with Stainless Steel escutcheons for 2013)



PowerPro
BX Jets
(6)



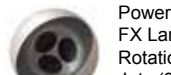
PowerPro
FX Jets
(8)



Power-
Pro FX
Rotational
Jets (2)



PowerPro
FX Large
Jets (2)



PowerPro
FX Large
Rotational
Jets (3)

Spa Operation Subject to Change without Notice

Seat Depths

- A = 27.50" (69.9 cm)**
- B = 26.25" (66.7 cm)**
- C = 27.88" (70.8 cm)**
- D = 26.75" (69.4 cm)**
- E = 27.50" (69.9 cm)**

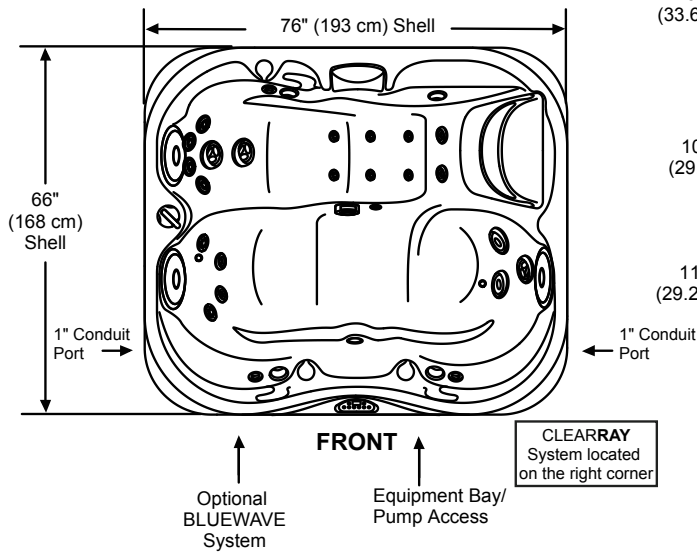
Listed dimensions represent distance from top of acrylic to lowest point in seat. Tolerance $\pm 0.5"$ (1.27 cm).



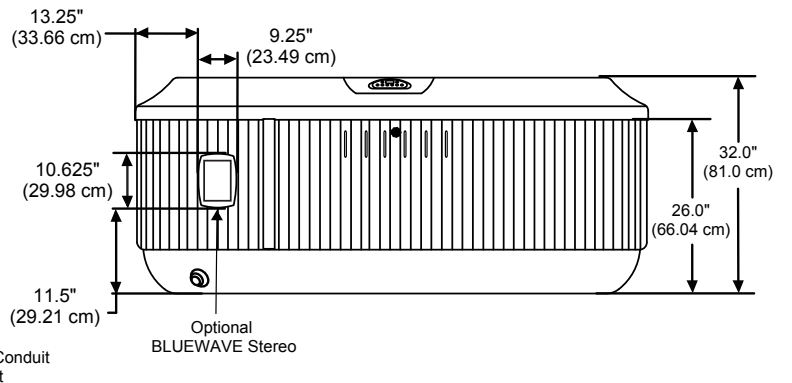
Dimensions/Specifications are Subject to Change Without Notice

Jacuzzi J-315

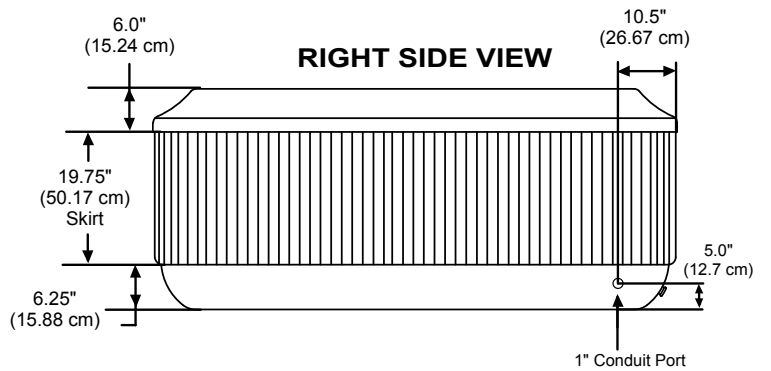
TOP VIEW



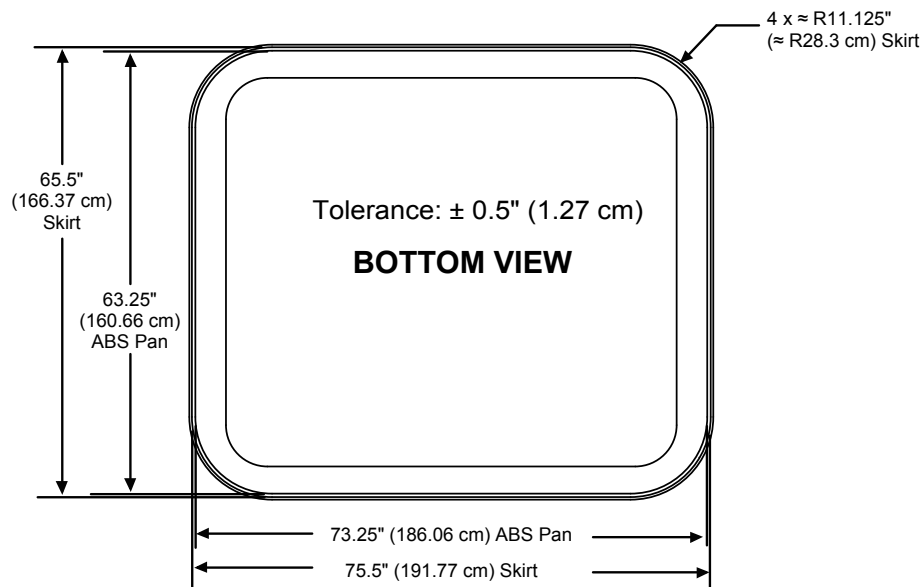
FRONT/BACK VIEW
(Front view of stereo option shown)



RIGHT SIDE VIEW

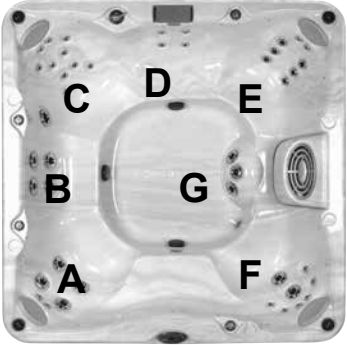


IMPORTANT! Always measure each hot tub for exact dimensions BEFORE designing its foundational support and/or decking.



Dimensions/specifications subject to change without notice. Tolerance: $\pm 0.5"$ (1.27 cm)

Jacuzzi J-280

Seating Capacity	6-7 Adults	
Dimensions	90" x 90" x 36.5" (228.6 cm x 228.6 cm x 92.7 cm); For Complete Dimensions, See page 99	
Dry Weight	885 lbs (401 kg)	
Filled Weight (Spa Volume)	5,639 lbs (2,558 kg)	
Filled Weight (Average Fill)	4,721 lbs (2,142 kg)	
Water Capacity (Spa Volume) ...	570 US gallons (2,158 Liters)	
Water Capacity (Average Fill) ...	460 US gallons (1,741 Liters)	
Electronic Controls	Solid state electronic controls with LED readout, programmable temperature, filtration, and heat cycles	
Pump 1	North America (60 Hz): 2-Speed, 4.5 HP brake, 2.5 HP continuous, 56 Frame Export (50 Hz): 2-Speed, 2.0 HP continuous	
Pump 2	North America (60 Hz): 1-Speed, 4.8 HP brake, 2.5 HP continuous, 56 Frame Export (50 Hz): 1-Speed, 2.0 HP continuous	
Circulation Pump	No	
Total Jets	44	
Seat A Jets	2 Classic Direct, 4 Classic Rotational	
Seat B Jets	4 Classic Luxury	
Seat C Jets	2 Classic Direct, 8 Classic Euro, 1 Classic Whirl (sidewall)	
Seat D Jets	4 Classic Euro	
Seat E Jets	2 Classic Direct, 6 Classic Mini	
Seat F Jets	2 Classic Direct, 4 Classic Euro, 2 Classic Rotational	
Footwell (G)	3 Classic Luxury	
Massage Selectors	1	
Air Controls	4	
Water Management System	One 95 ft ² filter cartridge on jets pump 1, Factory installed CLEARRAY® Water Purification System Export (50 Hz): Factory installed CLEARRAY® Water Purification System	
LED Lighting	Classic lighting package of 22 perimeter LED lights, 3 waterfall lights and footwell multi-color LED light	
Synthetic Cabinet Colors	Silverwood, Roasted Chestnut, Brazilian Teak	
Acrylic Colors	Platinum, Silver Pearl, Sahara, Opal, Desert Sand, Monaco, Midnight, Caribbean Surf, Sandstone, Porcelain	
Headrests	4	
Electrical Requirements:	North America (60 Hz): 240 VAC@40A, 50A or 60A Export (50 Hz): 230-240 VAC@20A, 30A or 40A, or suitably rated circuit breaker to comply with local electrical codes. Certain countries may require dual power inputs; two GFCI RCD breakers are required for this configuration.	
Warranty*	North America (60 Hz): 5 Years Shell, 2 Years Shell Surface, 2 Years Plumbing Component Leaks, 2 Years Equipment and Controls, 1 Year Cabinet, 1 Year Jets, 1 Year Stereo Export (50 Hz): 5 Years Shell, 2 Years Shell Surface, 2 Years Plumbing Component Leaks, 2 Years Equipment and Controls, 1 Year Cabinet, 1 Year Jets, 1 Year Stereo	
Audio System (Optional)	BLUEWAVE® Spa Stereo System (Bluetooth/Aux compatible only) with four speakers	

*(See Warranty Document for Specific Details)

Dimensions/Specifications are Subject to Change Without Notice

Jacuzzi J-280

Massage Selector/Air Control Diagram

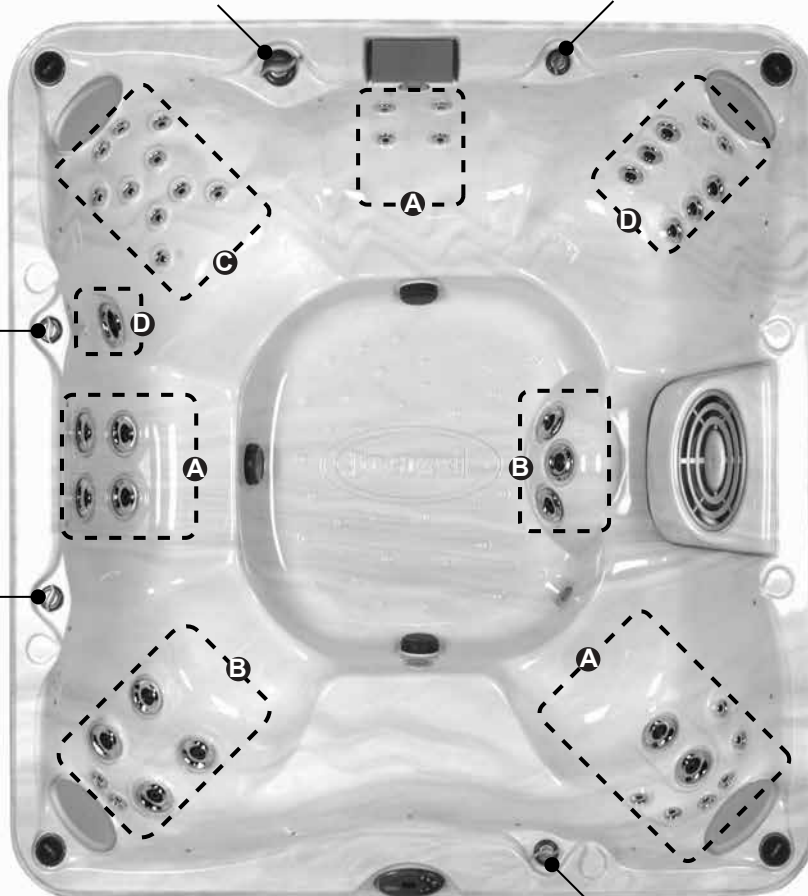
Massage Selector 1:
Directs Jet Pump 2 Output Between
Jets B, C or D

Air Control 4:
Opens/Closes Air Inlet to
Jets D

Air Control 3:
Opens/Closes
Air Inlet to Jets C

Air Control 2:
Opens/Closes
Air Inlet to Jets B

Air Control 1:
Opens/Closes Air Inlet to Jets A



- Jets A Powered by Jet Pump 1
- Jets B, C and D Powered by Jet Pump 2

44 Total Jets



Classic Euro Jets (16)



Classic Direct Jets (8)



Classic Mini Jets (6)



Classic Luxury Jets (7)



Classic Rotational Jets (6)



Classic Whirl Jet (1)

Spa Operation Subject to Change without Notice

Seat Depths

A = 28.0" (71.1 cm)
B = 24.0" (60.6 cm)
C = 26.5" (67.3 cm)
D = 24.5" (62.2 cm)
E = 16.0" (40.6 cm)
F = 25.5" (64.8 cm)

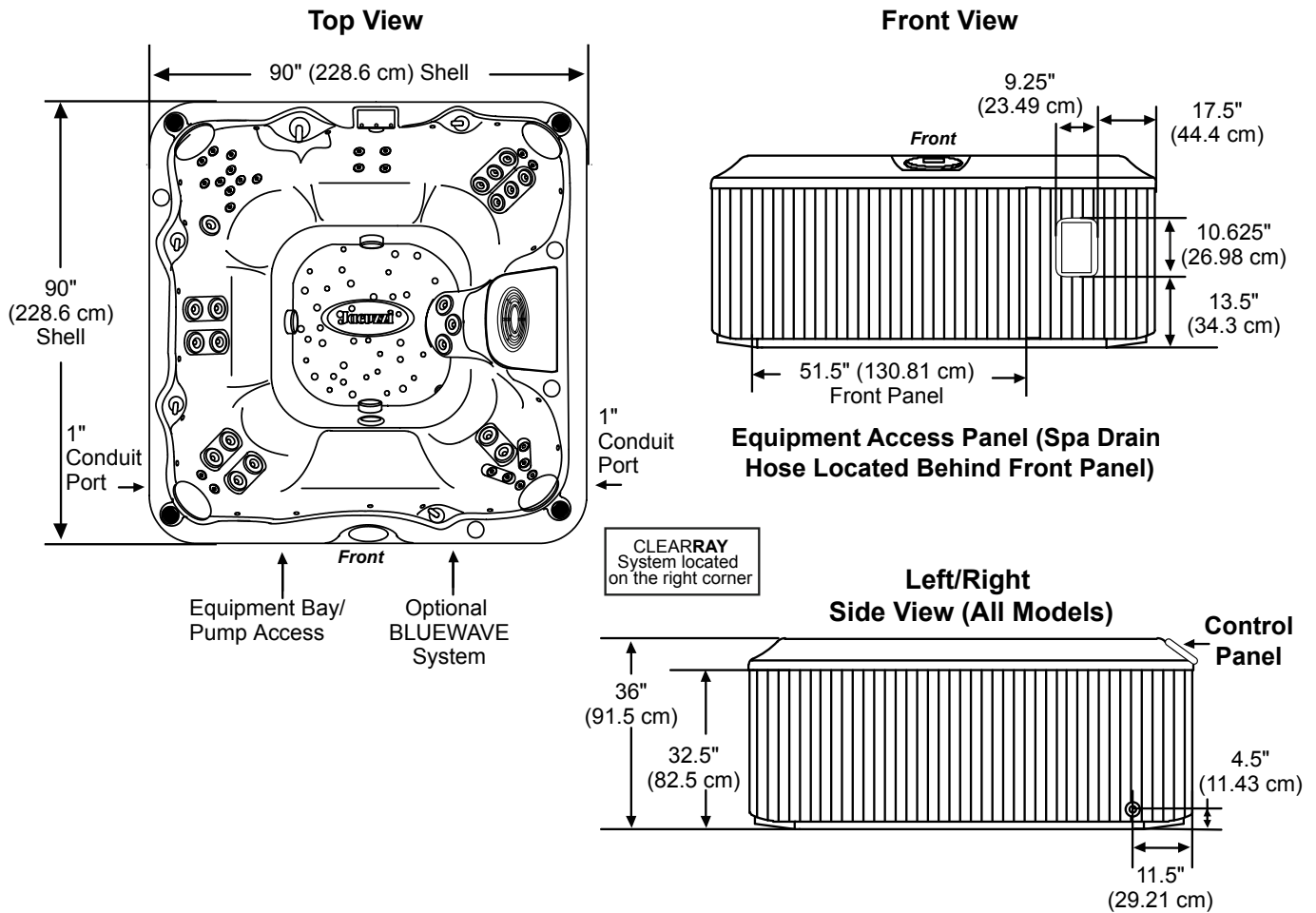
G = 23.0" (58.4 cm)
H = 30.0" (76.2 cm)

Listed dimensions represent distance from top of acrylic to lowest point in seat. Tolerance $\pm 0.5"$ (1.27 cm).

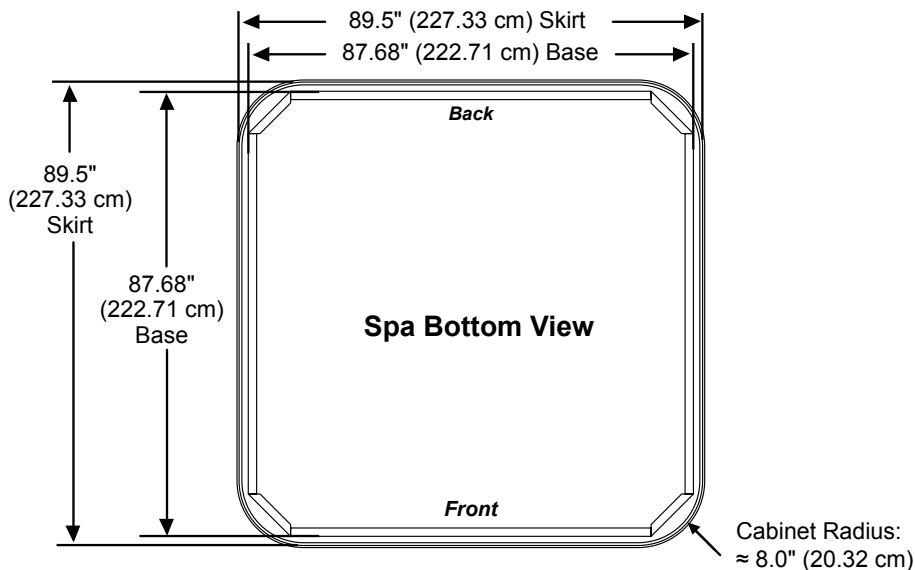


Dimensions/Specifications are Subject to Change Without Notice

Jacuzzi J-280



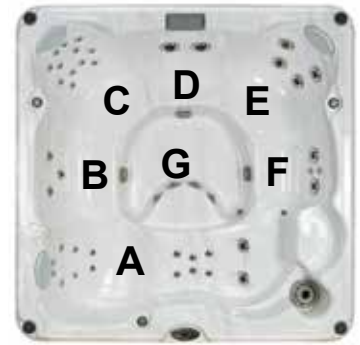
IMPORTANT! Always measure each hot tub for exact dimensions BEFORE designing its foundational support and/or decking.



Dimensions/specifications subject to change without notice. Tolerance: ± 0.5" (1.27 cm)

Jacuzzi J-275

Seating Capacity	6 Adults
Dimensions	90" x 90" x 36.5" (228.6 cm x 228.6 cm x 92.7 cm); For Complete Dimensions, See page 99
Dry Weight	807 lbs (366 kg)
Filled Weight (Spa Volume)	5,227 lbs (2,371 kg)
Filled Weight (Average Fill)	4,310 lbs (1,955 kg)
Water Capacity (Spa Volume) ...	530 US gallons (2,006 Liters)
Water Capacity (Average Fill) ...	420 US gallons (1,590 Liters)
Electronic Controls	Solid state electronic controls with LED readout, programmable temperature, filtration, and heat cycles
Pump 1	North America (60 Hz): 2-Speed, 4.5 HP brake, 2.5 HP continuous, 56 Frame
Export (50 Hz):	2-Speed, 2.0 HP continuous
Pump 2	North America (60 Hz): 1-Speed, 4.8 HP brake, 2.5 HP continuous, 56 Frame
Export (50 Hz):	1-Speed, 2.0 HP continuous
Circulation Pump	No
Total Jets	45
Seat A Jets	2 Classic Direct, 6 Classic Euro, 6 Classic Pulsator, 2 Classic Luxury
Seat B Jets	3 Classic Mini
Seat C Jets	6 Classic Direct, 6 Classic Euro
Seat D Jets	2 Classic Turbo
Seat E Jets	4 Classic Rotational
Seat F Jets	2 Classic Euro, 2 Classic Rotational
Footwell (G)	4 Classic Luxury
Massage Selectors	None
Air Controls	3
Water Management System	One 50 ft ² filter cartridge on jets pump 1, Factory installed CLEARRAY® Water Purification System
Export (50 Hz):	Factory installed CLEARRAY® Water Purification System
LED Lighting	Classic lighting package of 10 LED lights
Synthetic Cabinet Colors	Silverwood, Roasted Chestnut, Brazilian Teak
Acrylic Colors	Platinum, Silver Pearl, Sahara, Opal, Desert Sand, Monaco, Midnight, Caribbean Surf, Sandstone, Porcelain
Headrests	3
Electrical Requirements:	North America (60 Hz): 240 VAC@40A, 50A or 60A Export (50 Hz): 230 VAC@20A, 30A or 40A, or suitably rated circuit breaker to comply with local electrical codes. Certain countries may require dual power inputs; two GFCI RCD breakers are required for this configuration.
Warranty*	North America (60 Hz): 5 Years Shell, 2 Years Shell Surface, 2 Years Plumbing Component Leaks, 2 Years Equipment and Controls, 1 Year Cabinet, 1 Year Jets, 1 Year Stereo Export (50 Hz): 5 Years Shell, 2 Years Shell Surface, 2 Years Plumbing Component Leaks, 2 Years Equipment and Controls, 1 Year Cabinet, 1 Year Jets, 1 Year Stereo
Audio System (Optional)	BLUEWAVE® Spa Stereo System (Bluetooth/Aux compatible only) with four speakers



*(See Warranty Document for Specific Details)

Dimensions/Specifications are Subject to Change Without Notice

Jacuzzi J-275

Massage Selector/Air Control Diagram

Air Control 2:
Opens/Closes
Air Inlet to Jet
Group B

Air Control 3:
Opens/Closes
Air Inlet to Jet
Group C



Air Control 1:
Opens/Closes
Air Inlet to Jet
Group A

Group A Jets are
always on when
Pump 1 is running.

Group B and C Jets
are always on when
Pump 2 is running.

45 Total Jets



Spa Operation Subject to Change without Notice

Seat Depths

A = 25.5" (64.8 cm)

G = 7.0" (17.8 cm)

B = 24.75" (62.9 cm)

H = 24.5" (62.3 cm)

C = 26.25" (66.7 cm)

I = 31.75" (80.6 cm)

D = 22.0" (55.9 cm)

E = 25.25" (64.1 cm)

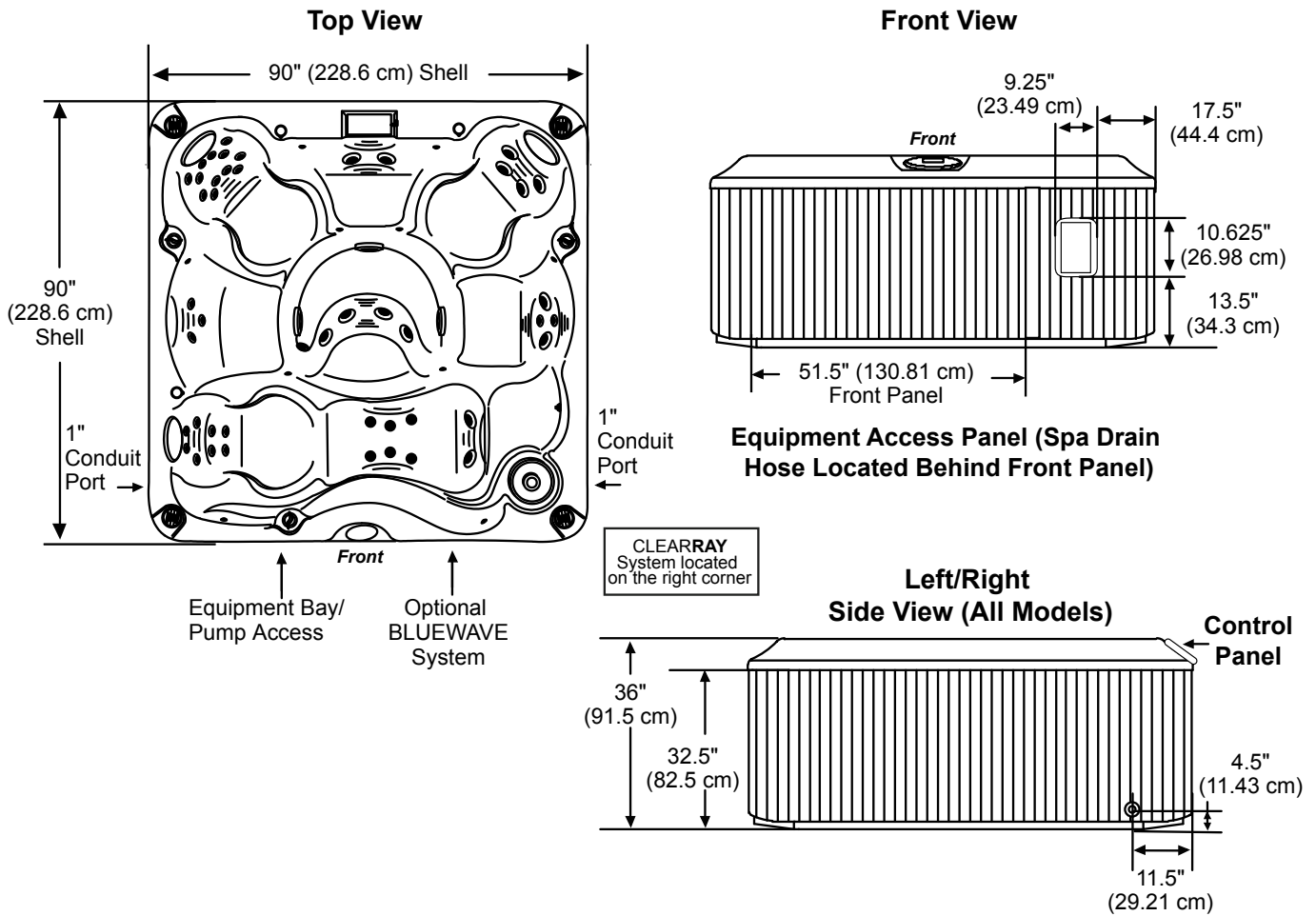
F = 23.75" (60.3 cm)

Listed dimensions
represent distance from
top of acrylic to lowest
point in seat. Tolerance
± 0.5" (1.27 cm).

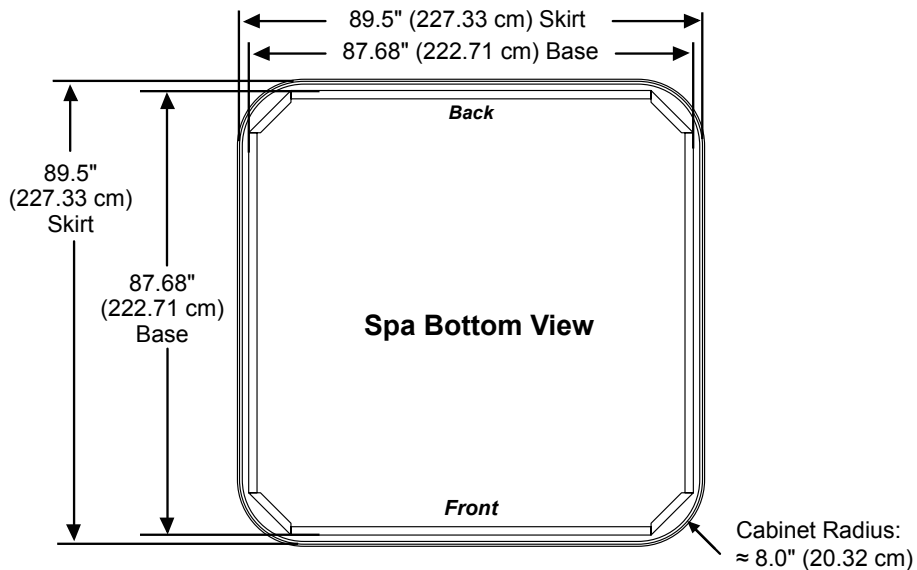


Dimensions/Specifications are Subject to Change Without Notice

Jacuzzi J-275

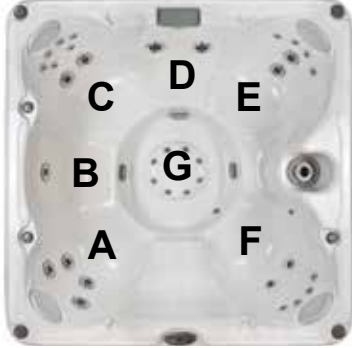


IMPORTANT! Always measure each hot tub for exact dimensions **BEFORE** designing its foundational support and/or decking.



Dimensions/specifications subject to change without notice. Tolerance: $\pm 0.5"$ (1.27 cm)

Jacuzzi J-245

Seating Capacity	6-7 Adults	
Dimensions	84" x 84" x 36" (213.5 cm x 213.5 cm x 91.5 cm); For Complete Dimensions, See page 99	
Dry Weight	827 lbs (375 kg)	
Filled Weight (Spa Volume)	4,747 lbs (2,153 kg)	
Filled Weight (Average Fill)	3,829 lbs (1,737 kg)	
Water Capacity (Spa Volume) ...	470 US gallons (1,779 Liters)	
Water Capacity (Average Fill) ...	360 US gallons (1,363 Liters)	
Electronic Controls	Solid state electronic controls with LED readout, programmable temperature, filtration, and heat cycles	
Pump 1	North America (60 Hz): 2-Speed, 4.5 HP brake, 2.5 HP continuous, 56 Frame Export (50 Hz): 2-Speed, 2.0 HP continuous	
Pump 2	North America (60 Hz): 1-Speed, 4.8 HP brake, 2.5 HP continuous, 56 Frame Export (50 Hz): 1-Speed, 2.0 HP continuous	
Circulation Pump	No	
Total Jets	35	
Seat A	4 Classic Luxury	
Seat B	1 Classic Luxury	
Seat C	2 Classic Euro, 2 Classic Rotational	
Seat D	2 Classic Turbo	
Seat E	4 Classic Euro, 2 Classic Rotational	
Seat F	4 Classic Direct, 2 Classic Mini	
Footwell (G)	8 Classic Euro	
Massage Selectors	None	
Air Controls	3	
Water Management System	One 50 ft ² filter cartridge on jets pump 1, Factory installed CLEARRAY® Water Purification System Export (50 Hz): Factory installed CLEARRAY® Water Purification System	
LED Lighting	Classic lighting package of 10 LED lights	
Synthetic Cabinet Colors	Silverwood, Roasted Chestnut, Brazilian Teak	
Acrylic Colors	Platinum, Silver Pearl, Sahara, Opal, Desert Sand, Monaco, Midnight, Caribbean Surf, Sandstone, Porcelain	
Headrests	4	
Electrical Requirements:	North America (60 Hz): 240 VAC@40A, 50A or 60A Export (50 Hz): 230-240 VAC@20A, 30A or 40A, or suitably rated circuit breaker to comply with local electrical codes. Certain countries may require dual power inputs; two GFCI RCD breakers are required for this configuration.	
Warranty*	North America (60 Hz): 5 Years Shell, 2 Years Shell Surface, 2 Years Plumbing Component Leaks, 2 Years Equipment and Controls, 1 Year Cabinet, 1 Year Jets, 1 Year Stereo Export (50 Hz): 5 Years Shell, 2 Years Shell Surface, 2 Years Plumbing Component Leaks, 2 Years Equipment and Controls, 1 Year Cabinet, 1 Year Jets, 1 Year Stereo	
Audio System (Optional)	BLUEWAVE® Spa Stereo System (Bluetooth/Aux compatible only) with four speakers	

*(See Warranty Document for Specific Details)

Dimensions/Specifications are Subject to Change Without Notice

Jacuzzi J-245

Massage Selector/Air Control Diagram



35 Total Jets



Spa Operation Subject to Change without Notice

Seat Depths

- A = 25.75" (65.4 cm)**
- B = 25.0" (63.5 cm)**
- C = 26.5" (67.3 cm)**
- D = 22.0" (55.9 cm)**
- E = 25.25" (64.1 cm)**
- F = 26.5" (67.3 cm)**

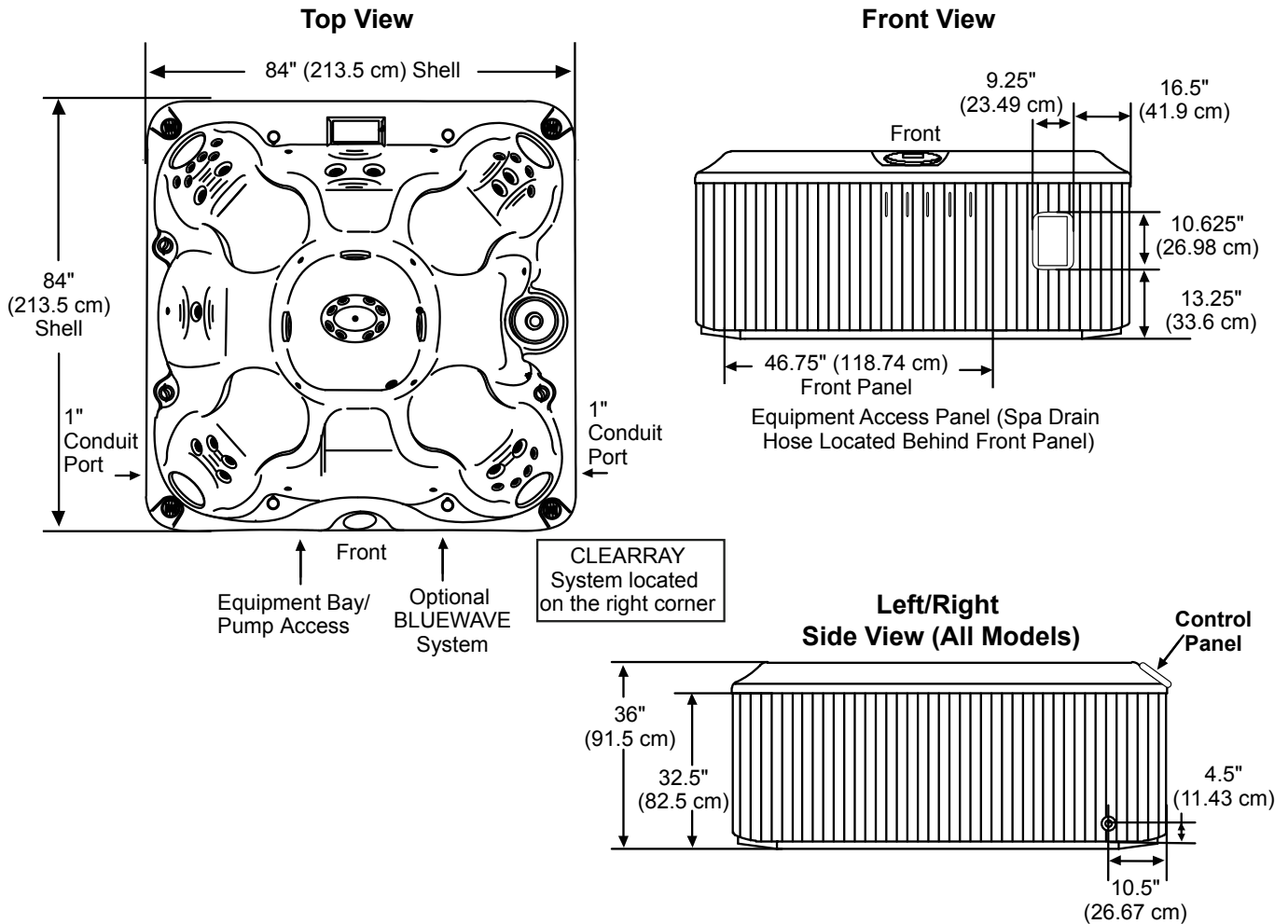
- G = 16.0" (40.6 cm)**
- H = 32.0" (81.3 cm)**

Listed dimensions
represent distance from
top of acrylic to lowest
point in seat. Tolerance
± 0.5" (1.27 cm).

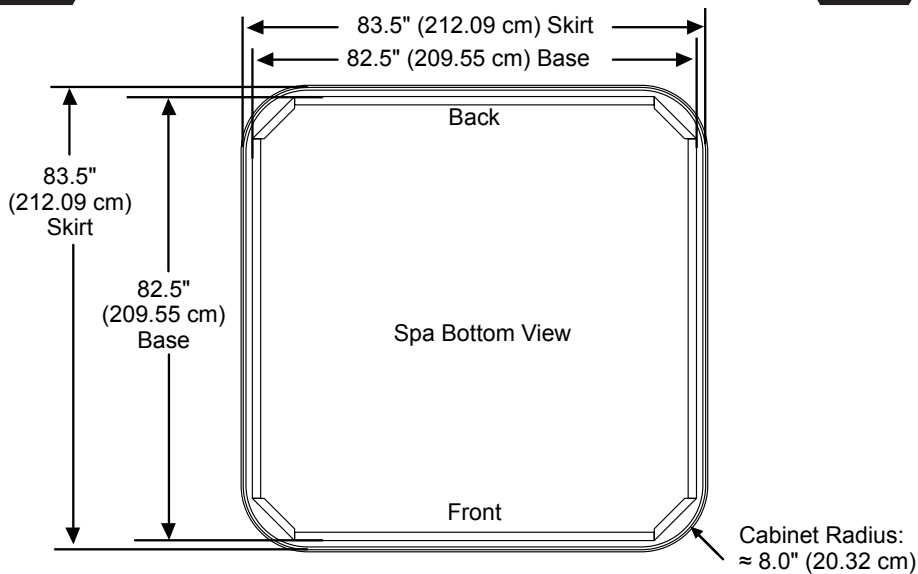


Dimensions/Specifications are Subject to Change Without Notice

Jacuzzi J-245

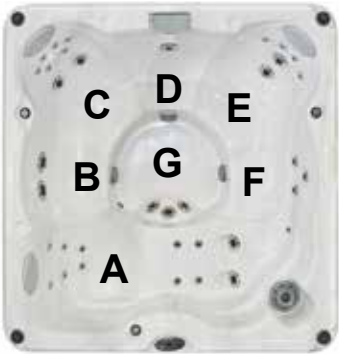


IMPORTANT! Always measure each hot tub for exact dimensions BEFORE designing its foundational support and/or decking.



Dimensions/specifications subject to change without notice. Tolerance: $\pm 0.5"$ (1.27 cm)

Jacuzzi J-235

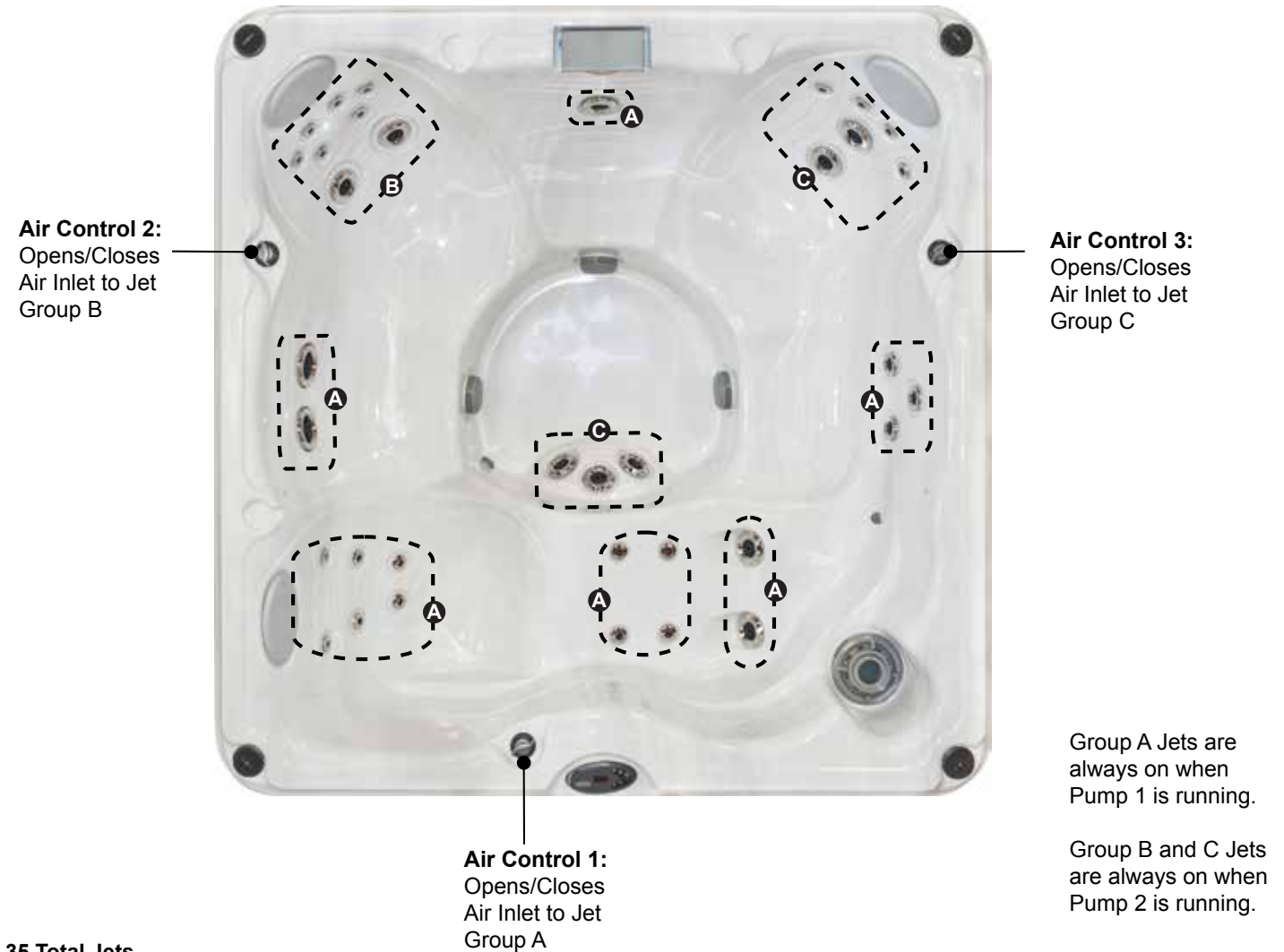
Seating Capacity	6 Adults	
Dimensions	84" x 84" x 36" (213.5 cm x 213.5 cm x 91.5 cm); For Complete Dimensions, See page 99	
Dry Weight	718 lbs (326 kg)	
Filled Weight (Spa Volume)	4,554 lbs (2,066 kg)	
Filled Weight (Average Fill)	3,720 lbs (1,688 kg)	
Water Capacity (Spa Volume) ...	460 US gallons (1,741 Liters)	
Water Capacity (Average Fill) ...	360 US gallons (1,363 Liters)	
Electronic Controls	Solid state electronic controls with LED readout, programmable temperature, filtration, and heat cycles	
Pump 1	North America (60 Hz): 2-Speed, 4.5 HP brake, 2.5 HP continuous, 56 Frame Export (50 Hz): 2-Speed, 2.0 HP continuous	
Pump 2	North America (60 Hz): 1-Speed, 4.8 HP brake, 2.5 HP continuous, 56 Frame Export (50 Hz): 1-Speed, 2.0 HP continuous	
Circulation Pump	No	
Total Jets	35	
Seat A Jets	6 Classic Euro, 4 Classic Pulsator, 2 Classic Luxury	
Seat B Jets	2 Classic Turbo	
Seat C Jets	6 Classic Euro, 2 Classic Rotational	
Seat D Jets	1 Classic Luxury	
Seat E Jets	4 Classic Direct, 2 Classic Rotational	
Seat F Jets	3 Classic Mini	
Footwell (G)	3 Classic Luxury	
Massage Selectors	None	
Air Controls	3	
Water Management System	One 50 ft ² filter cartridge on jets pump 1, Factory installed CLEARARRAY® Water Purification System Export (50 Hz): Factory installed CLEARARRAY® Water Purification System	
LED Lighting	Classic lighting package of 10 LED lights	
Synthetic Cabinet Colors	Silverwood, Roasted Chestnut, Brazilian Teak	
Acrylic Colors	Platinum, Silver Pearl, Sahara, Opal, Desert Sand, Monaco, Midnight, Caribbean Surf, Sandstone, Porcelain	
Headrests	3	
Electrical Requirements:	North America (60 Hz): 240 VAC@40A, 50A or 60A Export (50 Hz): 230-240 VAC@20A, 30A or 40A, or suitably rated circuit breaker to comply with local electrical codes. Certain countries may require dual power inputs; two GFCI RCD breakers are required for this configuration.	
Warranty*	North America (60 Hz): 5 Years Shell, 2 Years Shell Surface, 2 Years Plumbing Component Leaks, 2 Years Equipment and Controls; 1 Year Cabinet, 1 Year Jets, 1 Year Stereo Export (50 Hz): 5 Years Shell, 2 Years Shell Surface, 2 Years Plumbing Component Leaks, 2 Years Equipment and Controls, 1 Year Cabinet, 1 Year Jets, 1 Year Stereo	
Audio System (Optional)	BLUEWAVE® Spa Stereo System (Bluetooth/Aux compatible only) with four speakers	

*(See Warranty Document for Specific Details)

Dimensions/Specifications are Subject to Change Without Notice

Jacuzzi J-235

Massage Selector/Air Control Diagram



35 Total Jets



Spa Operation Subject to Change without Notice

Seat Depths

A = 25.75" (65.4 cm)

B = 25.0" (63.5 cm)

C = 26.5" (67.3 cm)

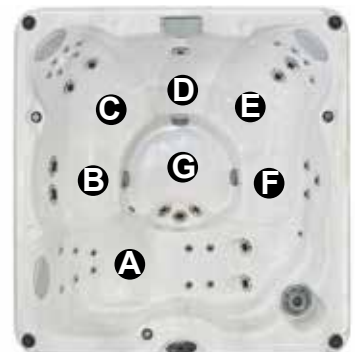
D = 22.0" (55.9 cm)

E = 25.25" (64.1 cm)

F = 24.0" (60.9 cm)

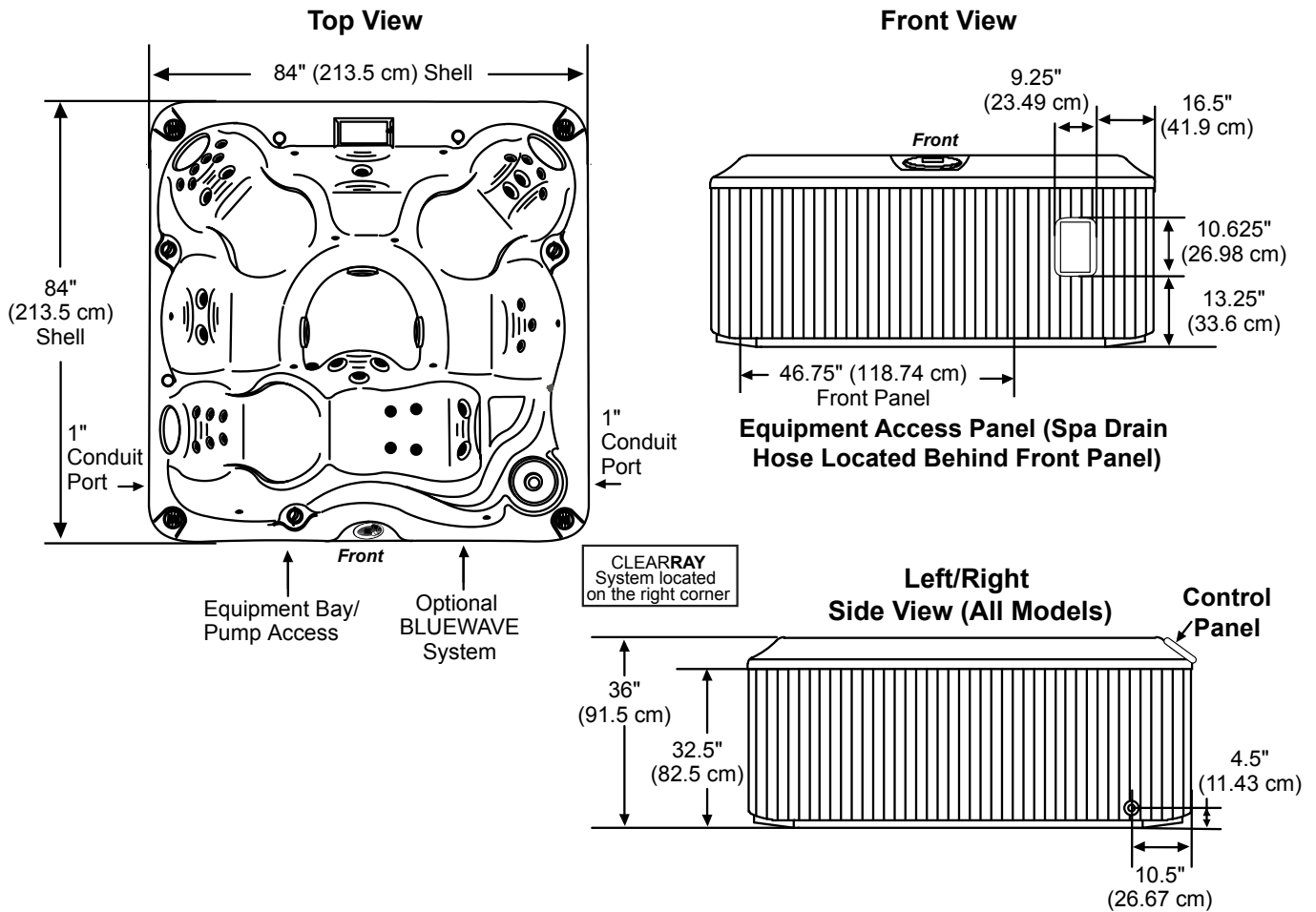
G = 32.0" (81.3 cm)

Listed dimensions
represent distance from
top of acrylic to lowest
point in seat. Tolerance
± 0.5" (1.27 cm).

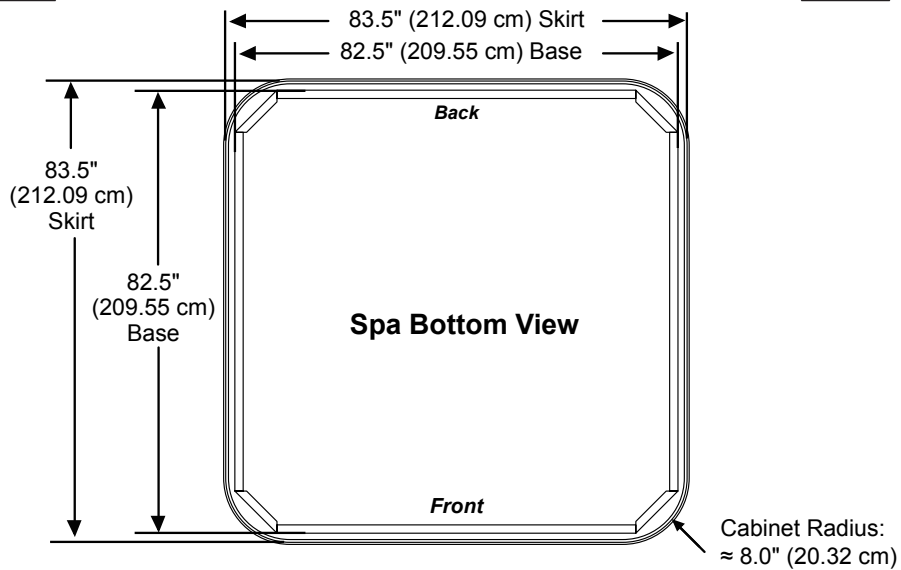


Dimensions/Specifications are Subject to Change Without Notice

Jacuzzi J-235




IMPORTANT! Always measure each hot tub for exact dimensions BEFORE designing its foundational support and/or decking.



Dimensions/specifications subject to change without notice. Tolerance: \pm 0.5" (1.27 cm)

Jacuzzi J-225

Seating Capacity	4-5 Adults	
Dimensions	84" x 76" x 34.5" (213 cm x 193 cm x 87 cm); For Complete Dimensions, See page 99	
Dry Weight	562 lbs (255 kg)	
Filled Weight (Spa Volume)	4,219 lbs (1,914 kg)	
Filled Weight (Average Fill)	3,517 lbs (1,596 kg)	
Water Capacity (Spa Volume) ...	438 US gallons (1,658 Liters)	
Water Capacity (Average Fill) ...	354 US gallons (1,340 Liters)	
Electronic Controls	Solid state electronic controls with LED readout, programmable temperature, filtration, and heat cycles	
Pump 1	North America (60 Hz): 2-Speed, 2.5 HP brake, 1.5 HP continuous, 48 Frame	
Export (50 Hz):	2-Speed, 2.0 HP continuous	
Circulation Pump	No	
Total Jets	23	
Seat A Jets	3 Classic Mini	
Seat B Jets	6 Classic Mini	
Seat C Jets	4 Classic Direct, 2 Classic Luxury	
Seat D Jets	4 Classic Rotational	
Footwell (E)	4 Classic Euro	
Massage Selectors	None	
Air Controls	4	
Water Management System	One 50 ft ² filter cartridge on jets pump 1, Factory installed CLEARRAY® Water Purification System	
Export (50 Hz):	Factory installed CLEARRAY® Water Purification System	
LED Lighting	6 LED bullet lights (4 above water; 2 underwater)	
Synthetic Cabinet Colors	Silverwood, Roasted Chestnut, Brazilian Teak	
Acrylic Colors	Platinum, Silver Pearl, Sahara, Desert Sand, Monaco, Midnight, Caribbean Surf, Sandstone, Porcelain, Opal	
Headrests	3	
Electrical Requirements:	North America (60 Hz): 120V@15A (GFCI cord) 240 VAC@30A or 40A Export (50 Hz): 230-240 VAC@20A or 30A, or suitably rated circuit breaker to comply with local electrical codes. Certain countries may require dual power inputs; two GFCI RCD breakers are required for this configuration.	
Warranty*	North America (60 Hz): 5 Years Shell, 2 Years Shell Surface, 2 Years Plumbing Component Leaks, 2 Years Equipment and Controls; 1 Year Cabinet, 1 Year Jets, 1 Year Stereo Export (50 Hz): 5 Years Shell, 2 Years Shell Surface, 2 Years Plumbing Component Leaks, 2 Years Equipment and Controls, 1 Year Cabinet, 1 Year Jets, 1 Year Stereo	
Audio System (Optional)	BLUEWAVE® Spa Stereo System (Bluetooth/Aux compatible only) with four speakers	

*(See Warranty Document for Specific Details)

Dimensions/Specifications are Subject to Change Without Notice

Jacuzzi J-225

Massage Selector/Air Control Diagram



Jets and waterfall
are always on when
the Jets Pump 1 is
running.

23 Total Jets

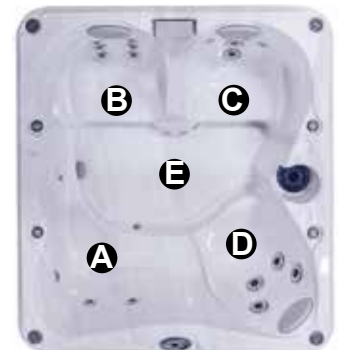


Spa Operation Subject to Change without Notice

Seat Depths

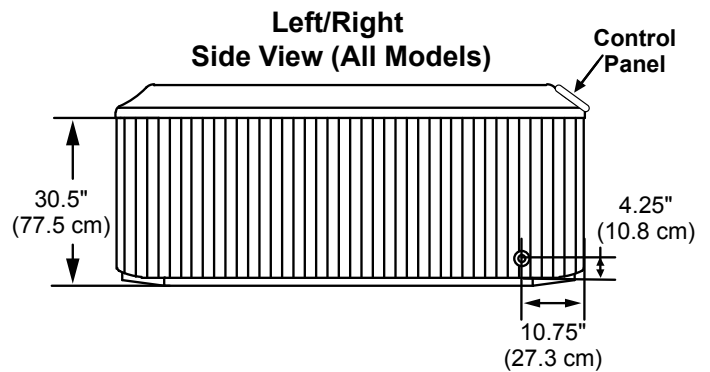
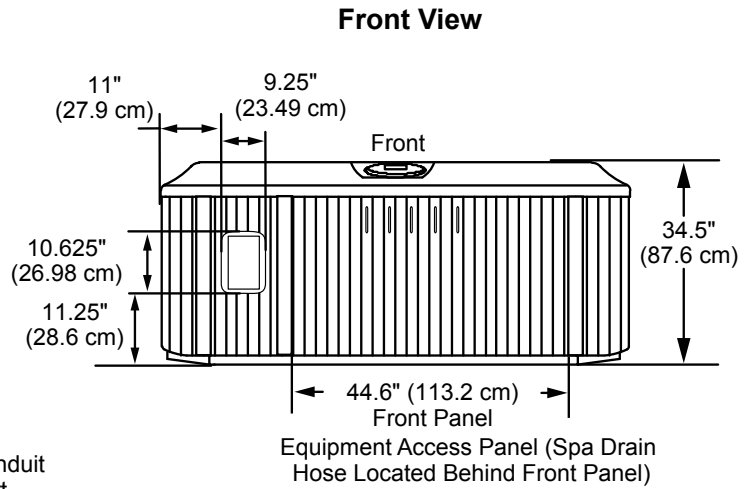
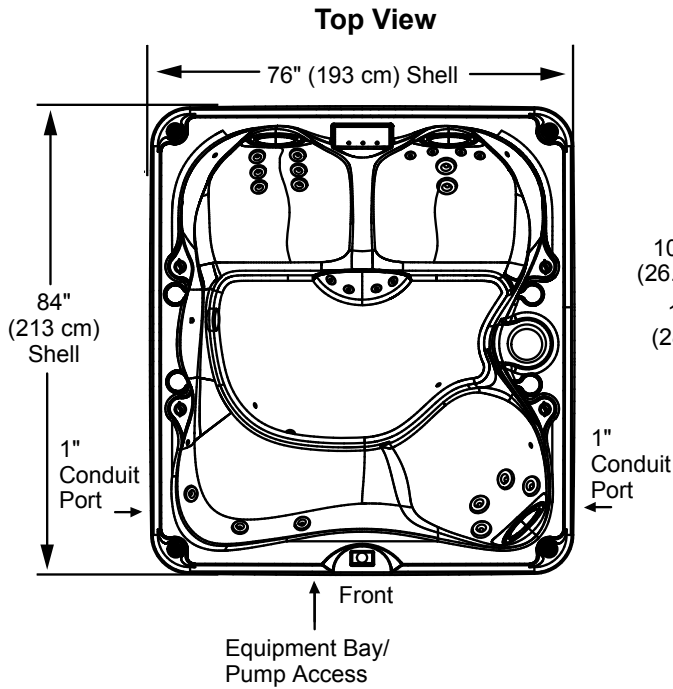
- A = 25.5" (64.7 cm)**
- B = 27.5" (69.9 cm)**
- C = 27.5" (69.9 cm)**
- D = 27.4" (69.6 cm)**
- E = 30.25" (76.8 cm)**

Listed dimensions
represent distance from
top of acrylic to lowest
point in seat. Tolerance
 $\pm 0.5"$ (1.27 cm).

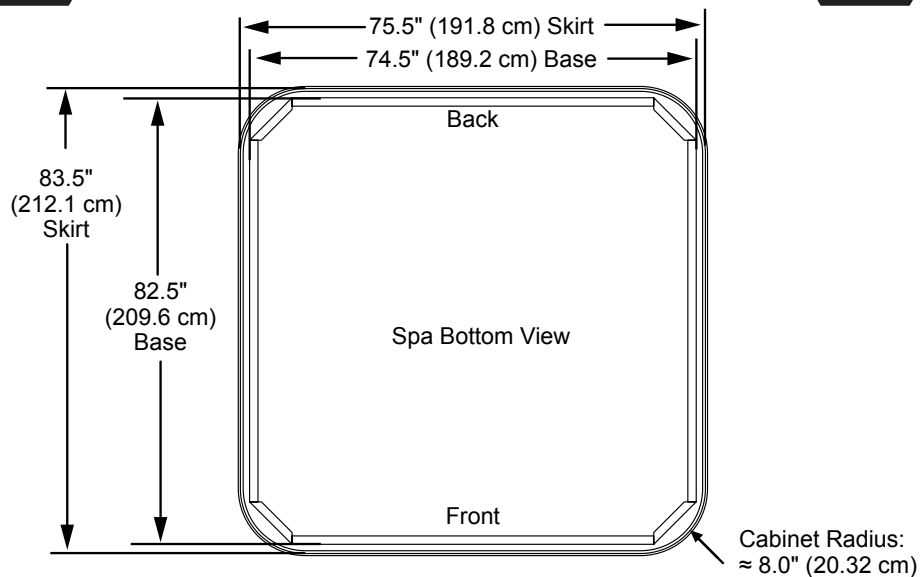


Dimensions/Specifications are Subject to Change Without Notice

Jacuzzi J-225

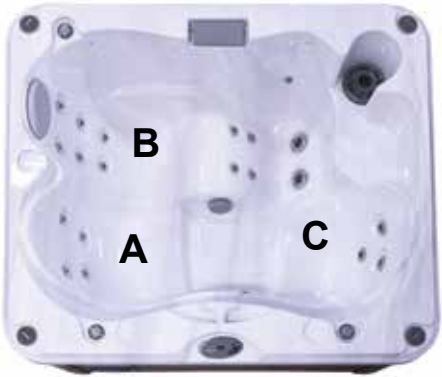


IMPORTANT! Always measure each hot tub for exact dimensions BEFORE designing its foundational support and/or decking.



Dimensions/specifications subject to change without notice. Tolerance: ± 0.5" (1.27 cm)

Jacuzzi J-215

Seating Capacity	2-3 Adults	
Dimensions	66" x 76" x 32" (168 cm x 193 cm x 81 cm); For Complete Dimensions, See page 99	
Dry Weight	492 lbs (223 kg)	
Filled Weight (Spa Volume)	2,780 lbs (1,261 kg)	
Filled Weight (Average Fill)	2,329 lbs (1,056 kg)	
Water Capacity (Spa Volume) ...	274 US gallons (1,037 Liters)	
Water Capacity (Average Fill) ...	220 US gallons (833 Liters)	
Electronic Controls	Solid state electronic controls with LED readout, programmable temperature, filtration, and heat cycles	
Pump 1	North America (60 Hz): 2-Speed, 2.5 HP brake, 1.5 HP continuous, 48 Frame Export (50 Hz): 2-Speed, 2.0 HP continuous	
Circulation Pump	No	
Total Jets	19	
Seat A Jets	4 Classic Direct	
Seat B Jets	6 Classic Euro, 4 Classic Pulsator, 2 Classic Rotational	
Seat C Jets	4 Classic Mini	
Massage Selectors	None	
Air Controls	3	
Water Management System	One 50 ft ² filter cartridge on jets pump 1, Factory installed CLEARRAY® Water Purification System Export (50 Hz): Factory installed CLEARRAY® Water Purification System	
LED Lighting	6 LED bullet lights (4 above water; 2 underwater)	
Synthetic Cabinet Colors	Silverwood, Roasted Chestnut, Brazilian Teak	
Acrylic Colors	Platinum, Silver Pearl, Sahara, Desert Sand, Monaco, Opal	
Headrests	1	
Electrical Requirements:	North America (60 Hz): 120V@15A (GFCI cord) 240 VAC@30A or 40A Export (50 Hz): 230-240 VAC@20A or 30A, or suitably rated circuit breaker to comply with local electrical codes. Certain countries may require dual power inputs; two GFCI RCD breakers are required for this configuration.	
Warranty*	North America (60 Hz): 5 Years Shell, 2 Years Shell Surface, 2 Years Plumbing Component Leaks, 2 Years Equipment and Controls; 1 Year Cabinet, 1 Year Jets, 1 Year Stereo Export (50 Hz): 5 Years Shell, 2 Years Shell Surface, 2 Years Plumbing Component Leaks, 2 Years Equipment and Controls, 1 Year Cabinet, 1 Year Jets, 1 Year Stereo	
Audio System (Optional)	BLUEWAVE® Spa Stereo System (Bluetooth/Aux compatible only) with four speakers	

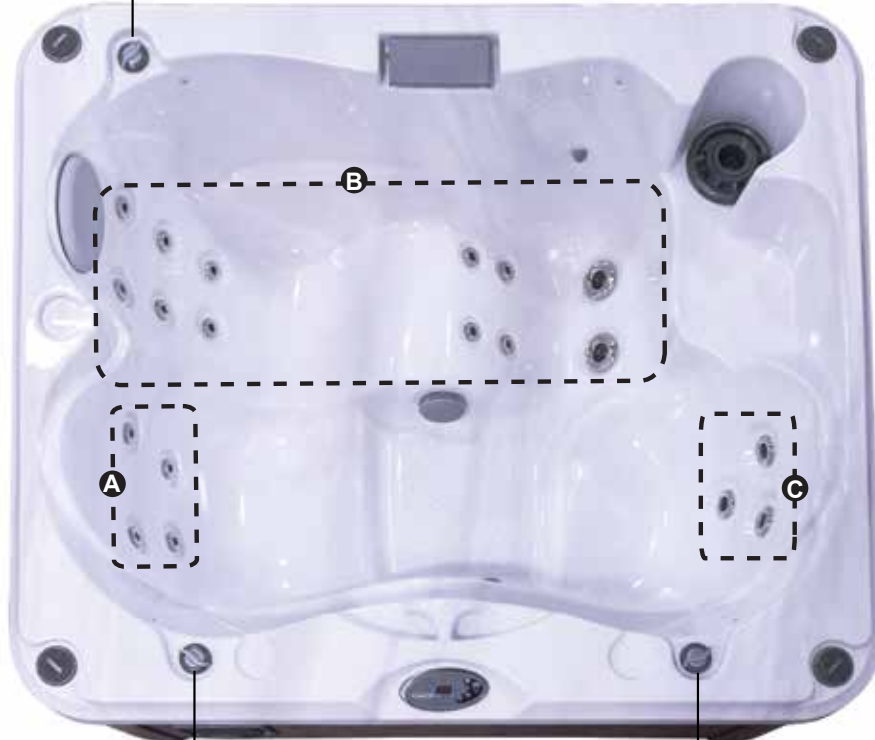
*(See Warranty Document for Specific Details)

Dimensions/Specifications are Subject to Change Without Notice

Jacuzzi J-215

Massage Selector/Air Control Diagram

Air Control 2:
Opens/Closes
Air Inlet to Jets B



Jets and waterfall are always on when the Jets Pump 1 is running.

Air Control 1:
Opens/Closes
Air Inlet to Jets
A

Air Control 3:
Opens/Closes
Air Inlet to Jets C

19 Total Jets



Classic Euro Jets (6)



Classic Direct Jets (4)



Classic Pulsator Jets (4)



Classic Mini Jets (3)



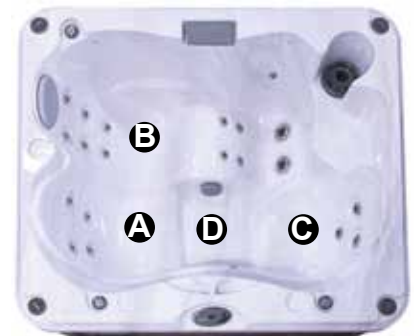
Classic Rotational Jets (2)

Spa Operation Subject to Change without Notice

Seat Depths

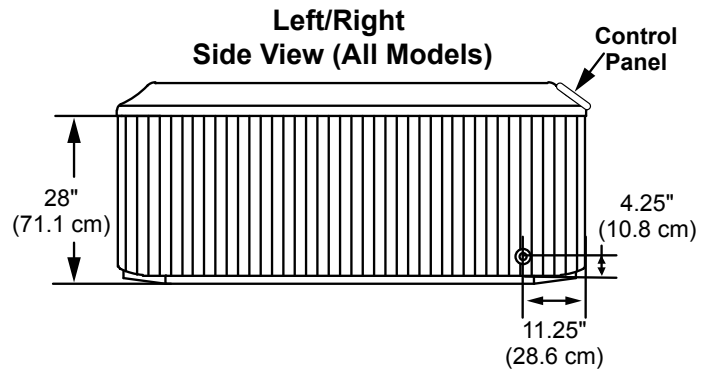
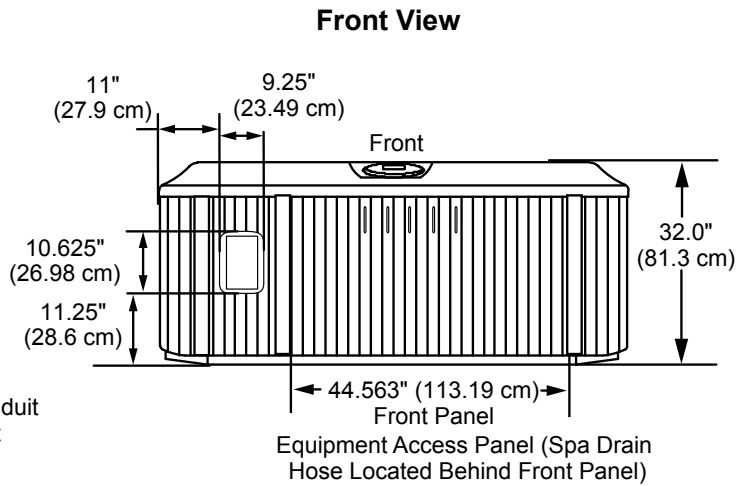
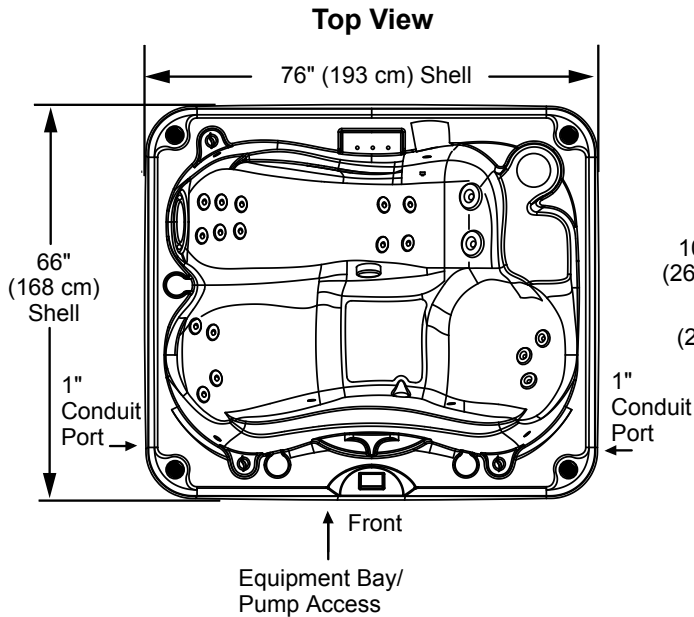
- A = 28.25" (71.8 cm)**
- B = 27.0" (68.6 cm)**
- C = 27.5" (69.9 cm)**
- D = 28.7" (73.2 cm)**

Listed dimensions represent distance from top of acrylic to lowest point in seat. Tolerance $\pm 0.5"$ (1.27 cm).

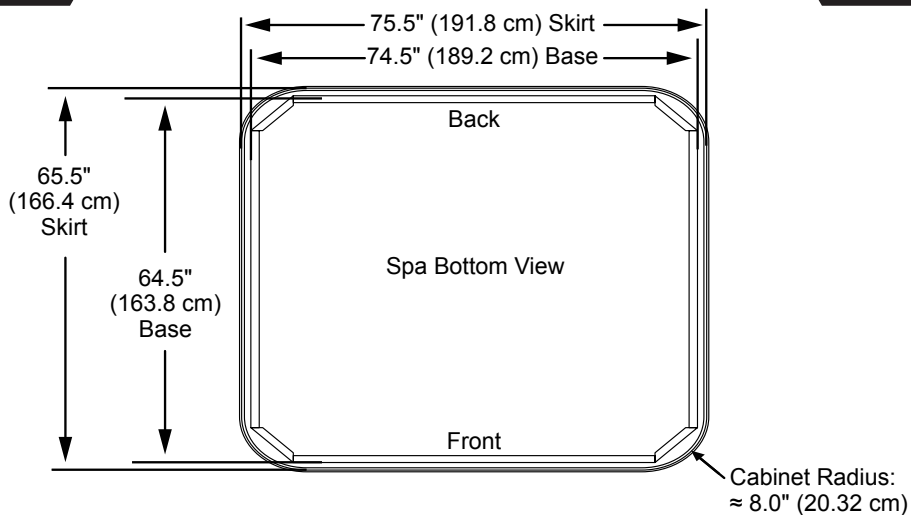


Dimensions/Specifications are Subject to Change Without Notice

Jacuzzi J-215

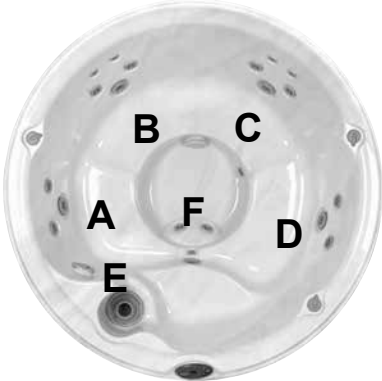


IMPORTANT! Always measure each hot tub for exact dimensions BEFORE designing its foundational support and/or decking.



Dimensions/specifications subject to change without notice. Tolerance: \pm 0.5" (1.27 cm)

Jacuzzi J-210

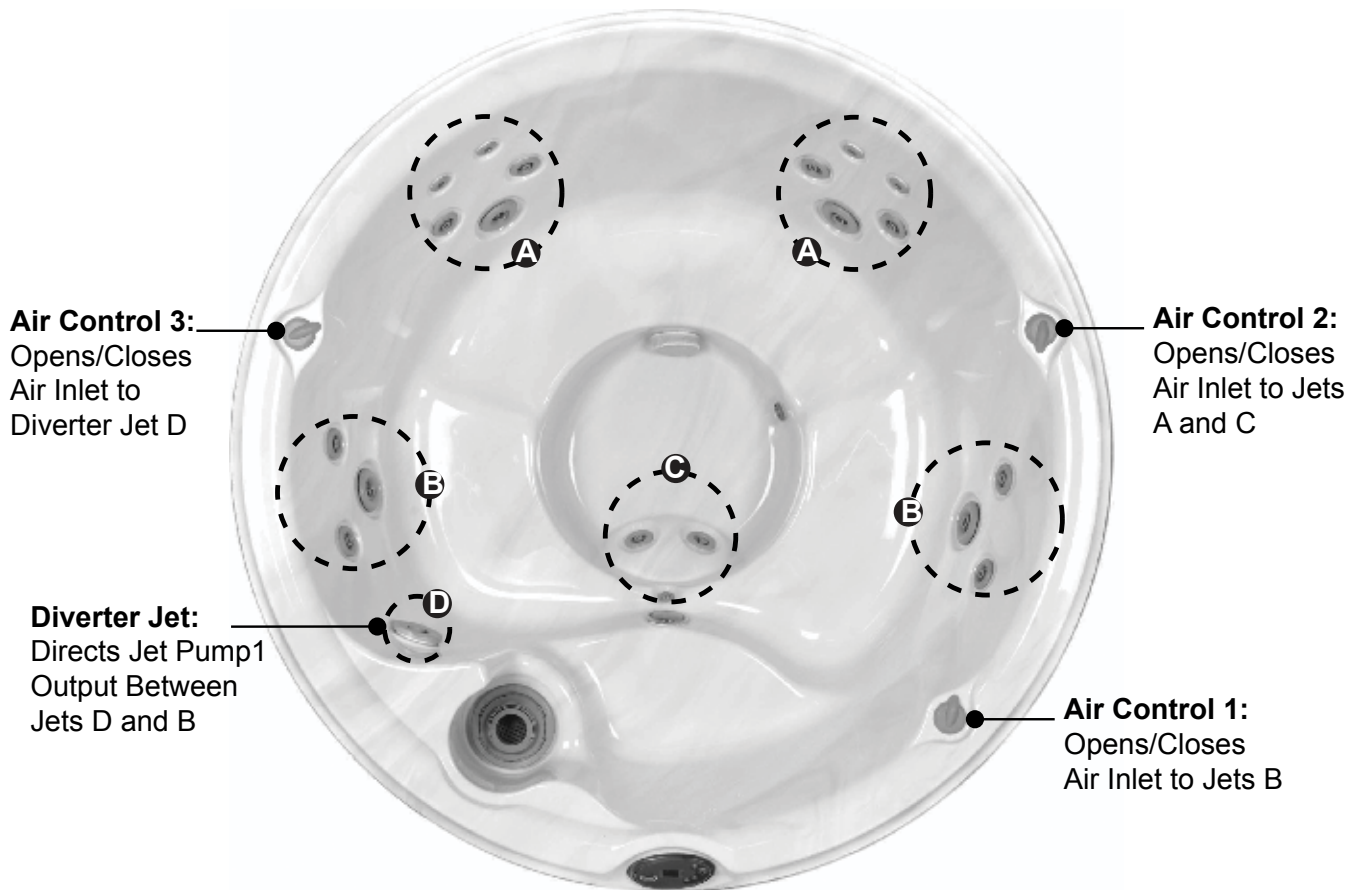
Seating Capacity	4 Adults	
Dimensions	78" Round x 36" Deep (198 cm Round x 91.5 cm); For Complete Dimensions, See page 99	
Dry Weight	527 lbs (239 kg)	
Filled Weight (Spa Volume)	3,112 lbs (1,412 kg)	
Filled Weight (Average Fill)	2,529 lbs (1,147 kg)	
Water Capacity (Spa Volume) ...	310 US gallons (1,173 Liters)	
Water Capacity (Average Fill) ...	240 US gallons (908 Liters)	
Electronic Controls	Solid state electronic controls with LED read-out, programmable temperature, filtration, and heat cycles	
Pump 1	North America (60 Hz): 2-Speed, 2.5 HP brake, 1.5 HP continuous; 48 Frame Export (50 Hz): 2-Speed, 2.0 HP continuous	
Total Jets	19	
Seat A	2 Classic Mini, 1 Classic Luxury	
Seat B	2 Classic Direct, 2 Classic Mini, 1 Classic Luxury	
Seat C	2 Classic Direct, 2 Classic Mini, 1 Classic Luxury	
Seat D	2 Classic Mini, 1 Classic Luxury	
Diverter Jet (E)	1	
Footwell (F)	2 Classic Mini	
Air Controls	3	
Water Management System	One 50 ft ² filter cartridge; Factory installed CLEARRAY® Water Purification System Export (50 Hz): Factory installed CLEARRAY® Water Purification System	
Lighting	Underwater multi-color LED lights	
Synthetic Cabinet Colors	Silverwood, Roasted Chestnut, Brazilian Teak	
Acrylic Colors	Platinum, Sahara, Desert Sand, Opal, Silver Pearl, Monaco	
Electrical Requirements:	North America (60 Hz): 120 VAC@15A or 240 VAC@30A or 40A, Export (50 Hz): 230 VAC@20A or 30A, or suitably rated circuit breaker to comply with local electrical codes. Certain countries may require dual power inputs; two GFCI RCD Breakers are required for this configuration.	
Warranty*	North America (60 Hz): 5 Years Shell, 2 Years Shell Surface, 2 Years Plumbing Component Leaks, 2 Years Equipment and Controls, 1 Year Cabinet, 1 Year Jets Export (50 Hz): 5 Years Shell, 2 Years Shell Surface, 2 Years Plumbing Component Leaks, 2 Years Equipment and Controls, 1 Year Cabinet, 1 Year Jets	
Audio System (Optional)	N/A	

*(See Warranty Document for Specific Details)

Dimensions/Specifications are Subject to Change Without Notice

Jacuzzi J-210

Massage Selector/Air Control Diagram



- **Jets A and C are Powered Continuously when Jets Pump 1 is running**

19 Total Jets

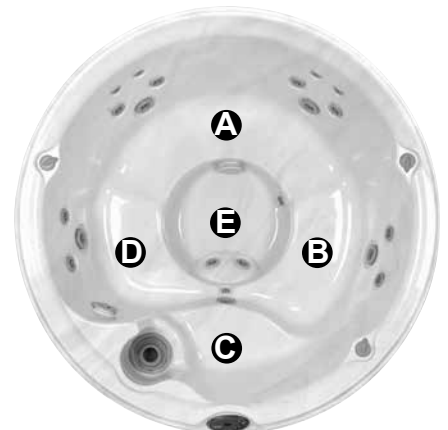


Spa Operation Subject to Change without Notice

Seat Depths

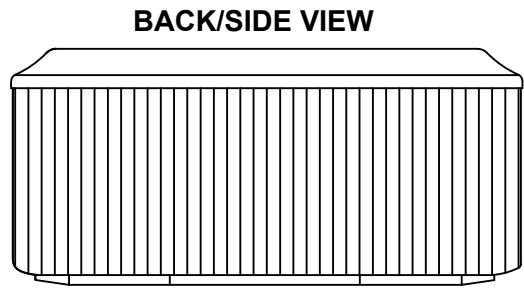
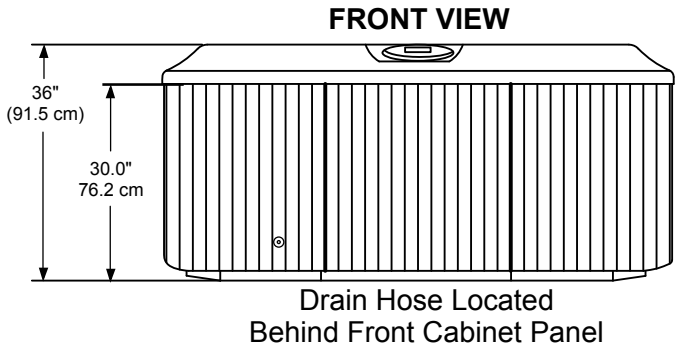
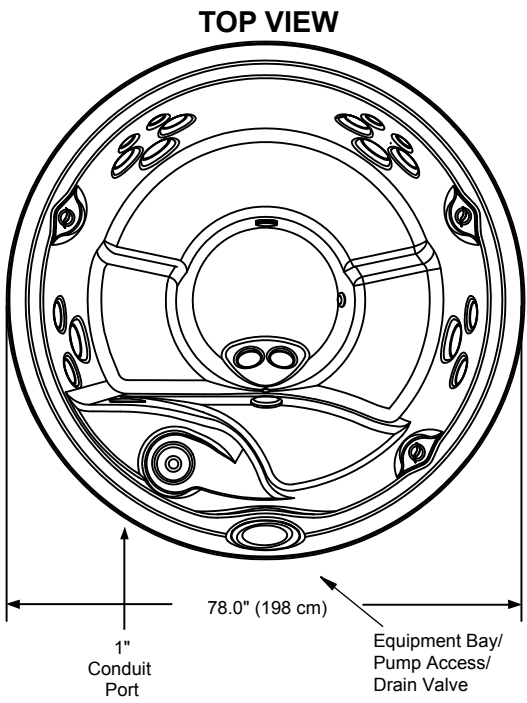
- A = 27.0" (68.6 cm)**
- B = 24.5" (62.2 cm)**
- C = 16.5" (41.9 cm)**
- D = 24.5" (62.2 cm)**
- E = 34.0" (86.4 cm)**

Listed Dimensions Represent
Distance from Top of Acrylic
to Lowest Point in Seat.
Tolerance $\pm 0.5"$ (1.27 cm).

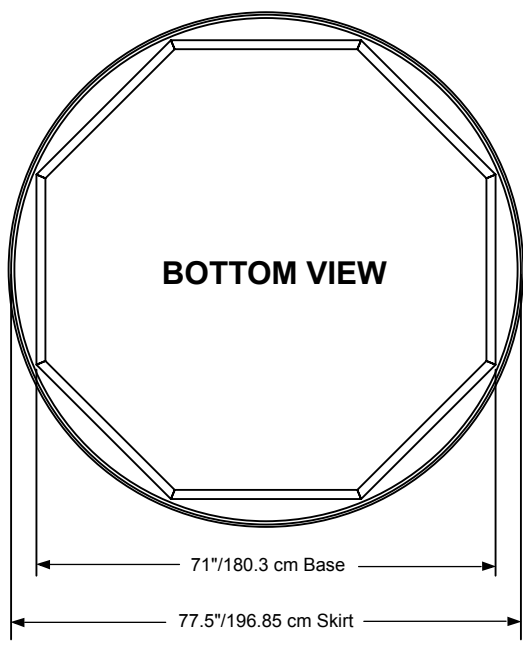


Dimensions/Specifications are Subject to Change Without Notice

Jacuzzi J-210




IMPORTANT! Always measure each hot tub for exact dimensions BEFORE designing its foundational support and/or decking.



Dimensions/specifications subject to change without notice. Tolerance: ± 0.5" (1.27 cm)

Jacuzzi J-145

Seating Capacity	6-7 Adults	
Dimensions	84" x 84" x 36" (213.5 cm x 213.5 cm x 91.5 cm); For Complete Dimensions, See page 100	
Dry Weight	827 lbs (375 kg)	
Filled Weight (Spa Volume)	4,747 lbs (2,153 kg)	
Filled Weight (Average Fill)	3,829 lbs (1,737 kg)	
Water Capacity (Spa Volume) ...	470 US gallons (1,779 Liters)	
Water Capacity (Average Fill) ...	360 US gallons (1,363 Liters)	
Electronic Controls	Solid state electronic controls with LED readout, programmable temperature, filtration, and heat cycles	
Pump 1	North America (60 Hz): 2-Speed, 4.5 HP brake, 2.5 HP continuous, 56 Frame Export (50 Hz): 2-Speed, 2.0 HP continuous	
Pump 2	North America (60 Hz): 1-Speed, 4.8 HP brake, 2.5 HP continuous, 56 Frame Export (50 Hz): 1-Speed, 2.0 HP continuous	
Circulation Pump	No	
Total Jets	35	
Seat A Jets	4 Classic Luxury	
Seat B Jets	1 Classic Luxury	
Seat C Jets	6 Classic Euro, 2 Classic Luxury	
Seat D Jets	2 Classic Turbo	
Seat E Jets	4 Classic Euro, 2 Classic Luxury	
Seat F Jets	4 Classic Direct, 2 Classic Mini	
Footwell (G)	8 Classic Euro	
Massage Selectors	None	
Air Controls	3	
Water Management System	One 50 ft ² filter cartridge on jets pump 1	
LED Lighting	Classic LED lighting package of 6 lights	
Synthetic Cabinet Colors	Silverwood and Roasted Chestnut	
Acrylic Colors	Platinum and Silver Pearl	
Headrests	4	
Electrical Requirements:	North America (60 Hz): 240 VAC@40A/50A or 60A Export (50 Hz): 230-240 VAC@20A/30A or 40A, or suitably rated circuit breaker to comply with local electrical codes. Certain countries may require dual power inputs; two GFCI RCD breakers are required for this configuration.	
Warranty*	North America (60 Hz): 5 Years Shell, 2 Years Shell Surface, 2 Years Plumbing Component Leaks, 2 Years Equipment and Controls; 1 Year Cabinet, 1 Year Jets Export (50 Hz): 5 Years Shell, 2 Years Shell Surface, 2 Years Plumbing Component Leaks, 2 Years Equipment and Controls, 1 Year Cabinet, 1 Year Jets	
Audio System (Optional)	Not Available	

*(See Warranty Document for Specific Details)

Dimensions/Specifications are Subject to Change Without Notice

Jacuzzi J-145

Massage Selector/Air Control Diagram



Group A, D, E, H, and J jets
always on when jets
pump 1 is running.

Group B, C, F, G, and I jets
always on when jets
pump 2 is running.

Waterfall is always
on when jets pump
1 is running, but
can be turned off
at the waterfall.

35 Total Jets



Spa Operation Subject to Change without Notice

Seat Depths

A = 25.75" (65.4 cm)
B = 25.0" (63.5 cm)
C = 26.5" (67.3 cm)
D = 22.0" (55.9 cm)
E = 25.25" (64.1 cm)
F = 26.5" (67.3 cm)

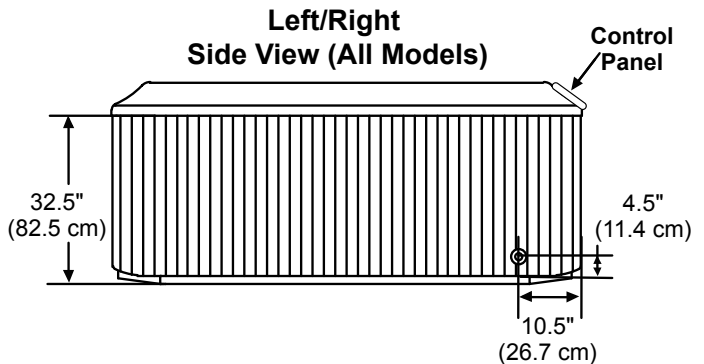
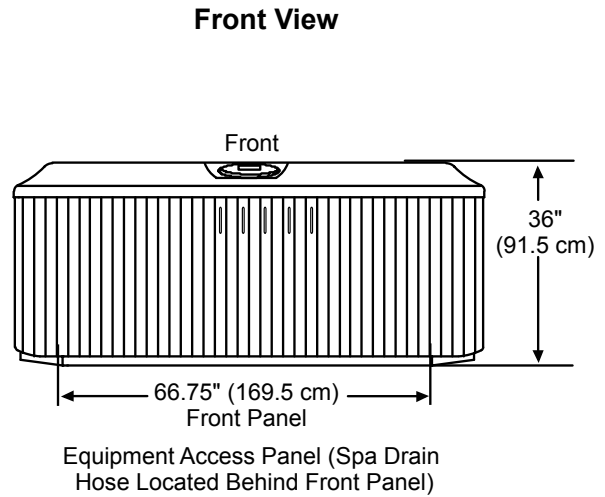
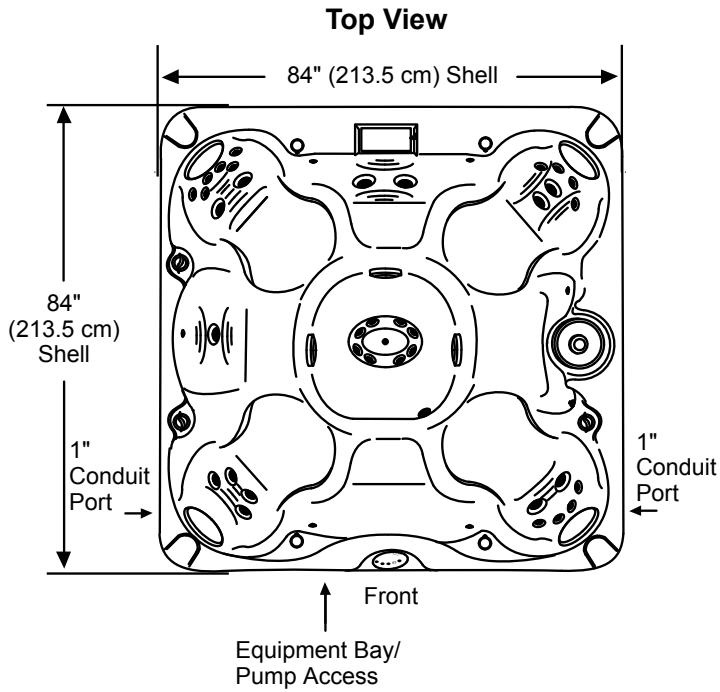
G = 16.0" (40.6 cm)
H = 32.0" (81.3 cm)

Listed dimensions
represent distance from
top of acrylic to lowest
point in seat. Tolerance
± 0.5" (1.27 cm).

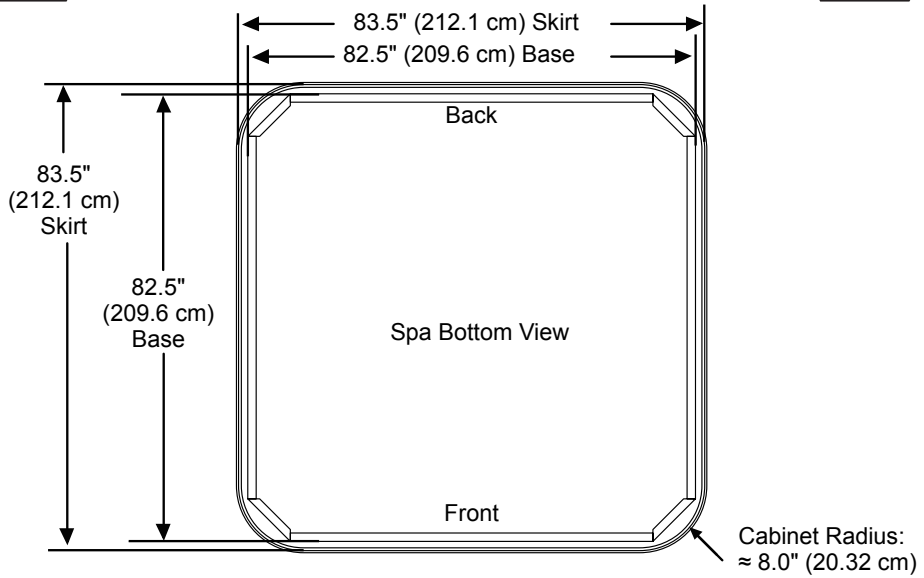


Dimensions/Specifications are Subject to Change Without Notice

Jacuzzi J-145



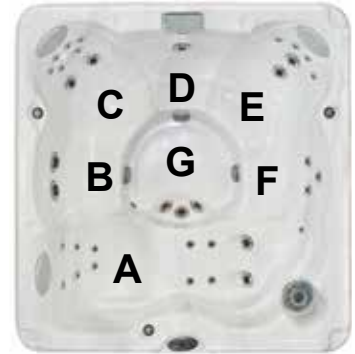
IMPORTANT! Always measure each hot tub for exact dimensions BEFORE designing its foundational support and/or decking.



Dimensions/specifications subject to change without notice. Tolerance: $\pm 0.5"$ (1.27 cm)

Jacuzzi J-135

Seating Capacity	6 Adults
Dimensions	84" x 84" x 36" (213.5 cm x 213.5 cm x 91.5 cm); For Complete Dimensions, See page 100
Dry Weight	718 lbs (326 kg)
Filled Weight (Spa Volume)	4,554 lbs (2,066 kg)
Filled Weight (Average Fill)	3,720 lbs (1,688 kg)
Water Capacity (Spa Volume) ...	460 US gallons (1,741 Liters)
Water Capacity (Average Fill) ...	360 US gallons (1,363 Liters)
Electronic Controls	Solid state electronic controls with LED readout, programmable temperature, filtration, and heat cycles
Pump 1	North America (60 Hz): 2-Speed, 4.5 HP brake, 2.5 HP continuous, 56 Frame
Export (50 Hz):	2-Speed, 2.0 HP continuous
Pump 2	North America (60 Hz): 1-Speed, 4.8 HP brake, 2.5 HP continuous, 56 Frame
Export (50 Hz):	1-Speed, 2.0 HP continuous
Circulation Pump	No
Total Jets	35
Seat A Jets	6 Classic Euro, 4 Classic Pulsator, 2 Classic Luxury
Seat B Jets	2 Classic Turbo
Seat C Jets	6 Classic Euro, 2 Classic Luxury
Seat D Jets	1 Classic Luxury
Seat E Jets	4 Classic Direct, 2 Classic Luxury
Seat F Jets	3 Classic Mini
Footwell (G)	3 Classic Luxury
Massage Selectors	None
Air Controls	3
Water Management System	One 50 ft ² filter cartridge on jets pump 1
LED Lighting	Classic LED lighting package of 6 lights
Synthetic Cabinet Colors	Silverwood and Roasted Chestnut
Acrylic Colors	Platinum and Silver Pearl
Headrests	3
Electrical Requirements:	North America (60 Hz): 240 VAC@40A/50A or 60A Export (50 Hz): 230-240 VAC@20A/30A or 40A, or suitably rated circuit breaker to comply with local electrical codes. Certain countries may require dual power inputs; two GFCI RCD breakers are required for this configuration.
Warranty*	North America (60 Hz): 5 Years Shell, 2 Years Shell Surface, 2 Years Plumbing Component Leaks, 2 Years Equipment and Controls; 1 Year Cabinet, 1 Year Jets Export (50 Hz): 5 Years Shell, 2 Years Shell Surface, 2 Years Plumbing Component Leaks, 2 Years Equipment and Controls, 1 Year Cabinet, 1 Year Jets
Audio System (Optional)	Not Available

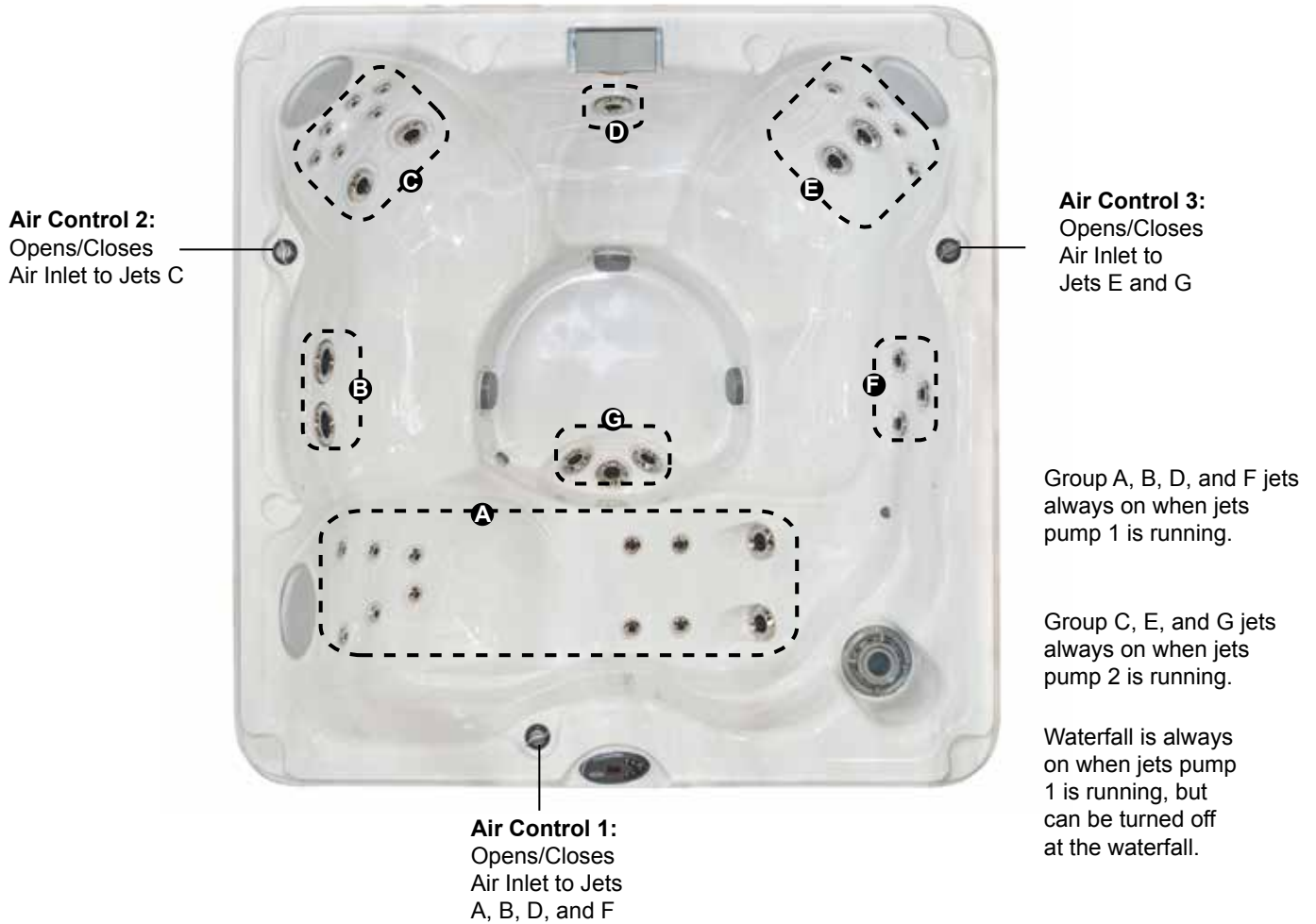


*(See Warranty Document for Specific Details)

Dimensions/Specifications are Subject to Change Without Notice

Jacuzzi J-135

Massage Selector/Air Control Diagram



35 Total Jets



Spa Operation Subject to Change without Notice

Seat Depths

A = 25.75" (65.4 cm)

B = 25.0" (63.5 cm)

C = 26.5" (67.3 cm)

D = 22.0" (55.9 cm)

E = 25.25" (64.1 cm)

F = 24.0" (60.9 cm)

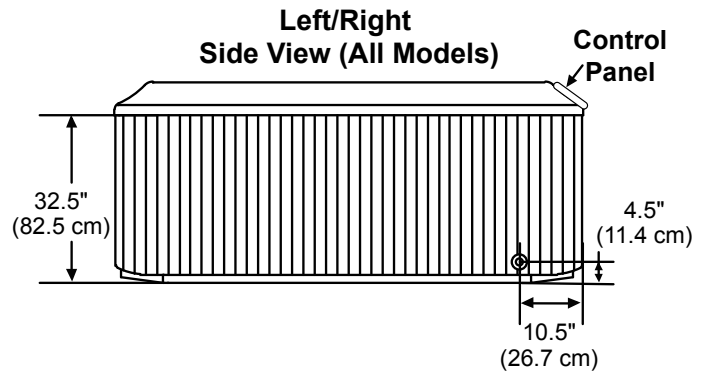
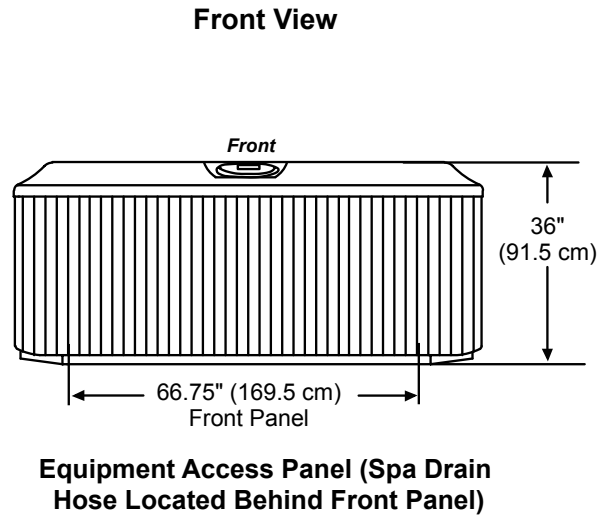
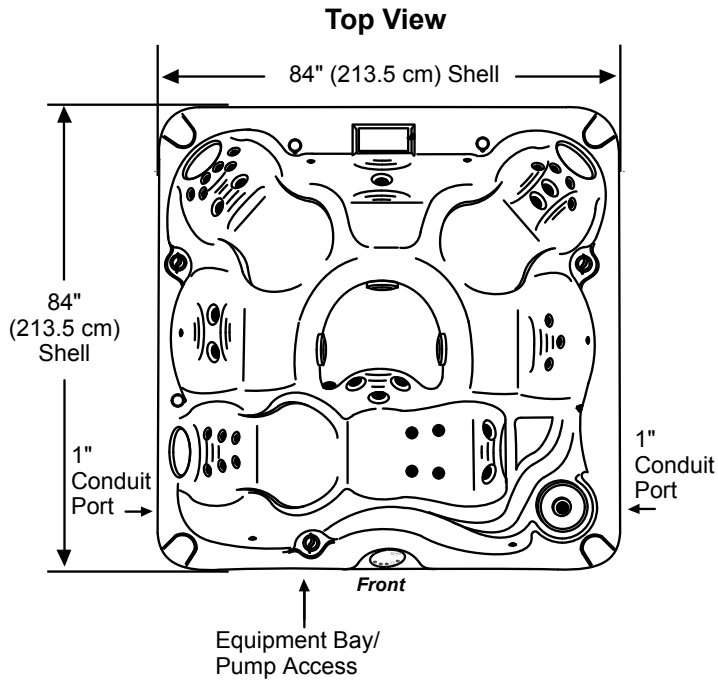
G = 32.0" (81.3 cm)

Listed dimensions
represent distance from
top of acrylic to lowest
point in seat. Tolerance
 $\pm 0.5"$ (1.27 cm).

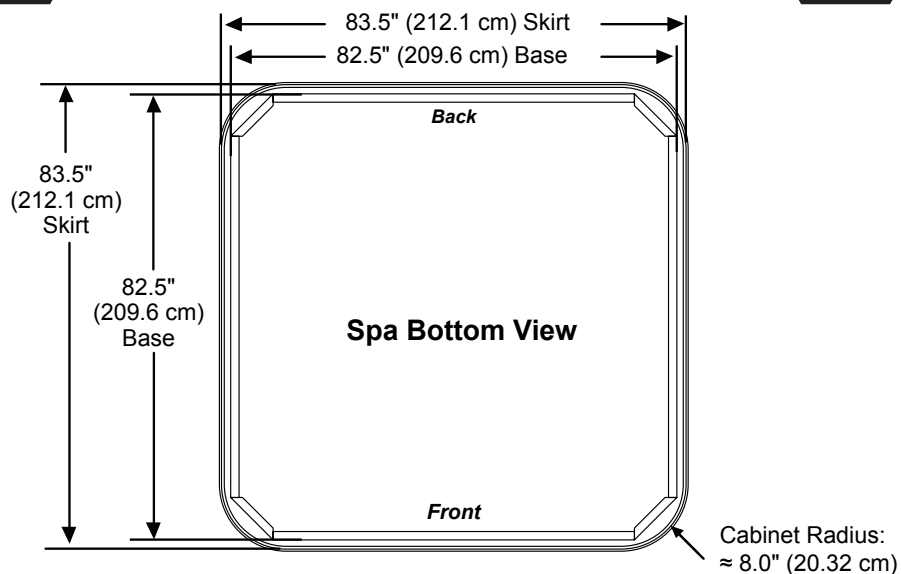


Dimensions/Specifications are Subject to Change Without Notice

Jacuzzi J-135

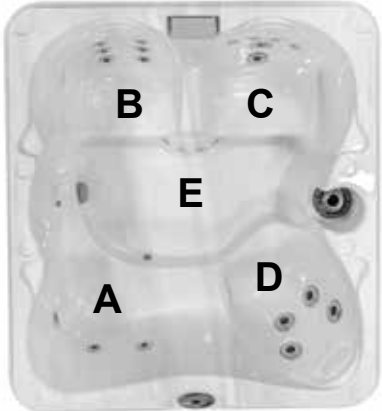


IMPORTANT! Always measure each hot tub for exact dimensions BEFORE designing its foundational support and/or decking.



Dimensions/specifications subject to change without notice. Tolerance: $\pm 0.5"$ (1.27 cm)

Jacuzzi J-125

Seating Capacity	4-5 Adults	
Dimensions	84" x 76" x 34.5" (213 cm x 193 cm x 87 cm); For Complete Dimensions, See page 100	
Dry Weight	559 lbs (254 kg)	
Filled Weight (Spa Volume)	4,216 lbs (1,912 kg)	
Filled Weight (Average Fill)	3,515 lbs (1,594 kg)	
Water Capacity (Spa Volume) ...	438 US gallons (1,658 Liters)	
Water Capacity (Average Fill) ...	354 US gallons (1,340 Liters)	
Electronic Controls	Solid state electronic controls with LED readout, programmable temperature, filtration, and heat cycles	
Pump 1	North America (60 Hz): 2-Speed, 2.5 HP brake, 1.5 HP continuous, 48 Frame	
Export (50 Hz):	2-Speed, 2.0 HP continuous	
Circulation Pump	No	
Total Jets	23	
Seat A Jets	3 Classic Mini	
Seat B Jets	6 Classic Mini	
Seat C Jets	4 Classic Direct, 2 Classic Luxury	
Seat D Jets	4 Classic Luxury	
Footwell (E)	4 Classic Euro	
Massage Selectors	None	
Air Controls	None	
Water Management System	One 50 ft ² filter cartridge on jets pump 1	
LED Lighting	2 LED bullet lights (underwater)	
Synthetic Cabinet Colors	Silverwood and Roasted Chestnut	
Acrylic Colors	Platinum and Silver Pearl	
Headrests	None	
Electrical Requirements:	North America (60 Hz): 120V@15A (GFCI cord) 240 VAC@30A or 40A Export (50 Hz): 230-240 VAC@20A or 30A, or suitably rated circuit breaker to comply with local electrical codes. Certain countries may require dual power inputs; two GFCI RCD breakers are required for this configuration.	
Warranty*	North America (60 Hz): 5 Years Shell, 2 Years Shell Surface, 2 Years Plumbing Component Leaks, 2 Years Equipment and Controls; 1 Year Cabinet, 1 Year Jets, 1 Year Stereo Export (50 Hz): 5 Years Shell, 2 Years Shell Surface, 2 Years Plumbing Component Leaks, 2 Years Equipment and Controls, 1 Year Cabinet, 1 Year Jets, 1 Year Stereo	
Audio System (Optional)	Not Available	

*(See Warranty Document for Specific Details)

Dimensions/Specifications are Subject to Change Without Notice

Jacuzzi J-125

Massage Selector/Air Control Diagram



All Jets and waterfall always on when jets pump 1 is running.

Air is always on when jets pump 1 is running.

23 Total Jets

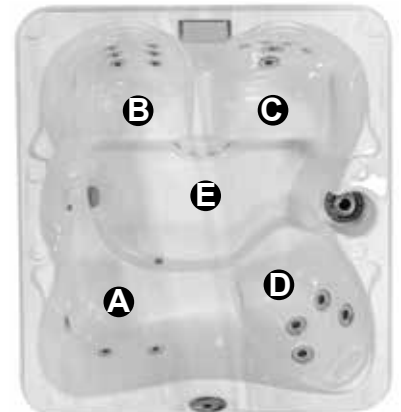


Spa Operation Subject to Change without Notice

Seat Depths

- A = 25.5" (64.7 cm)
- B = 27.5" (69.9 cm)
- C = 27.5" (69.9 cm)
- D = 27.4" (69.6 cm)
- E = 30.25" (76.8 cm)

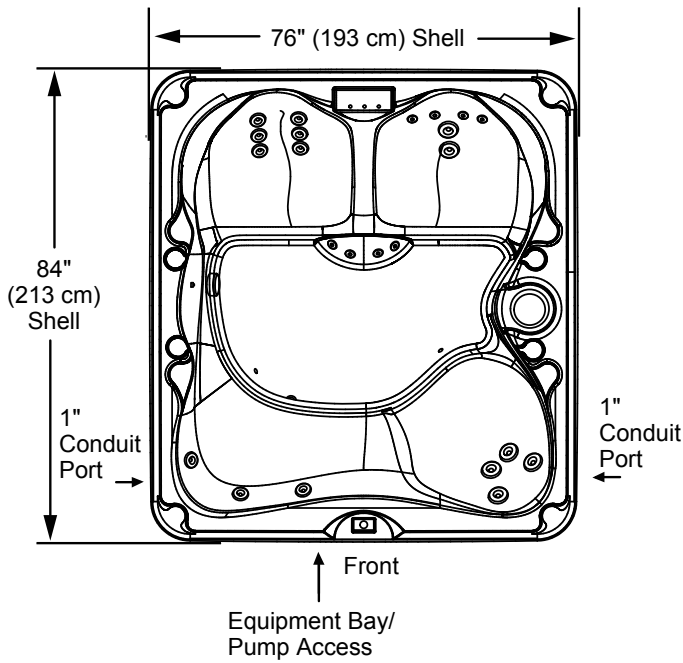
Listed dimensions represent distance from top of acrylic to lowest point in seat. Tolerance $\pm 0.5"$ (1.27 cm).



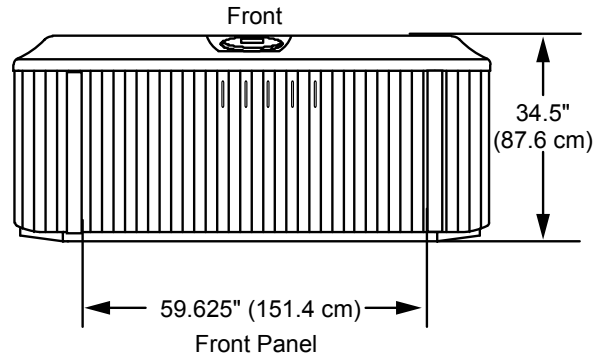
Dimensions/Specifications are Subject to Change Without Notice

Jacuzzi J-125

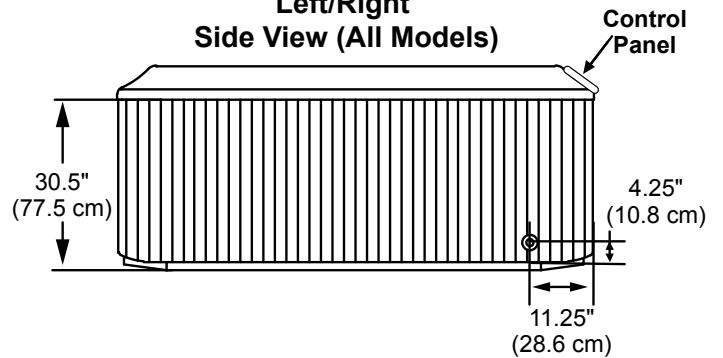
Top View



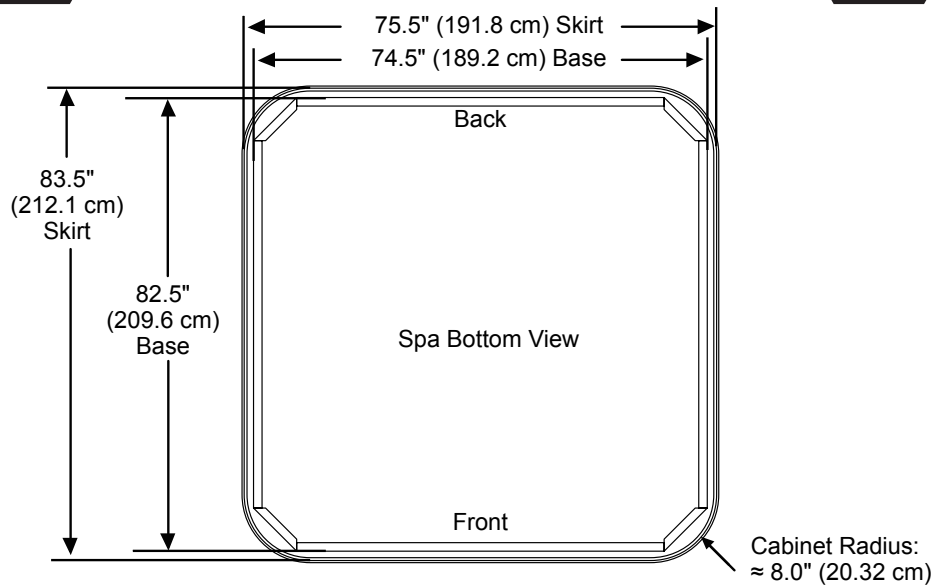
Front View



Left/Right Side View (All Models)



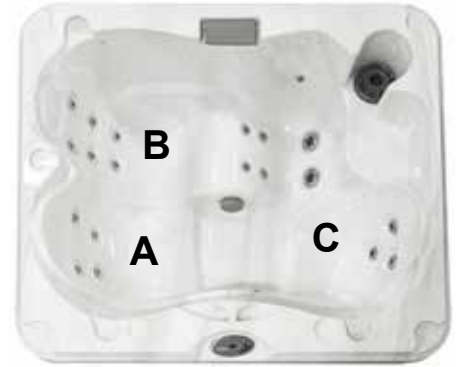
IMPORTANT! Always measure each hot tub for exact dimensions BEFORE designing its foundational support and/or decking.



Dimensions/specifications subject to change without notice. Tolerance: ± 0.5" (1.27 cm)

Jacuzzi J-115

Seating Capacity	2-3 Adults
Dimensions	66" x 76" x 32" (168 cm x 193 cm x 81 cm); For Complete Dimensions, See page 100
Dry Weight	465 lbs (211 kg)
Filled Weight (Spa Volume)	2,753 lbs (1,249 kg)
Filled Weight (Average Fill)	2,302 lbs (1,044 kg)
Water Capacity (Spa Volume) ...	274 US gallons (1,037 Liters)
Water Capacity (Average Fill) ...	220 US gallons (833 Liters)
Electronic Controls	Solid state electronic controls with LED readout, programmable temperature, filtration, and heat cycles
Pump 1	North America (60 Hz): 2-Speed, 2.5 HP brake, 1.5 HP continuous, 48 Frame
Export (50 Hz):	2-Speed, 2.0 HP continuous
Circulation Pump	No
Total Jets	19
Seat A Jets	4 Classic Direct
Seat B Jets	6 Classic Euro, 4 Classic Pulsator, 2 Classic Luxury
Seat C Jets	4 Classic Mini
Massage Selectors	None
Air Controls	None
Water Management System	One 50 ft ² filter cartridge on jets pump 1
LED Lighting	2 LED bullet lights (underwater)
Synthetic Cabinet Colors	Silverwood and Roasted Chestnut
Acrylic Colors	Platinum and Silver Pearl
Headrests	None
Electrical Requirements:	North America (60 Hz): 120V@15A (GFCI cord) 240 VAC@30A or 40A Export (50 Hz): 230-240 VAC@20A or 30A, or suitably rated circuit breaker to comply with local electrical codes. Certain countries may require dual power inputs; two GFCI RCD breakers are required for this configuration.
Warranty*	North America (60 Hz): 5 Years Shell, 2 Years Shell Surface, 2 Years Plumbing Component Leaks, 2 Years Equipment and Controls; 1 Year Cabinet, 1 Year Jets Export (50 Hz): 5 Years Shell, 2 Years Shell Surface, 2 Years Plumbing Component Leaks, 2 Years Equipment and Controls, 1 Year Cabinet, 1 Year Jets
Audio System (Optional)	Not Available



*(See Warranty Document for Specific Details)

Dimensions/Specifications are Subject to Change Without Notice

Jacuzzi J-115

Massage Selector/Air Control Diagram



All jets and waterfall always on when jets pump 1 is running.

Air is always on when jets pump 1 is running.

19 Total Jets



Classic Euro Jets (6)



Classic Direct Jets (4)



Classic Pulsator Jets (4)



Classic Mini Jets (3)



Classic Luxury Jets (2)

Spa Operation Subject to Change without Notice

Seat Depths

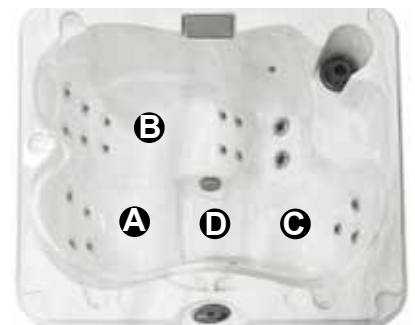
A = 27.0" (68.6 cm)

B = 28.25" (71.8 cm)

C = 27.5" (69.9 cm)

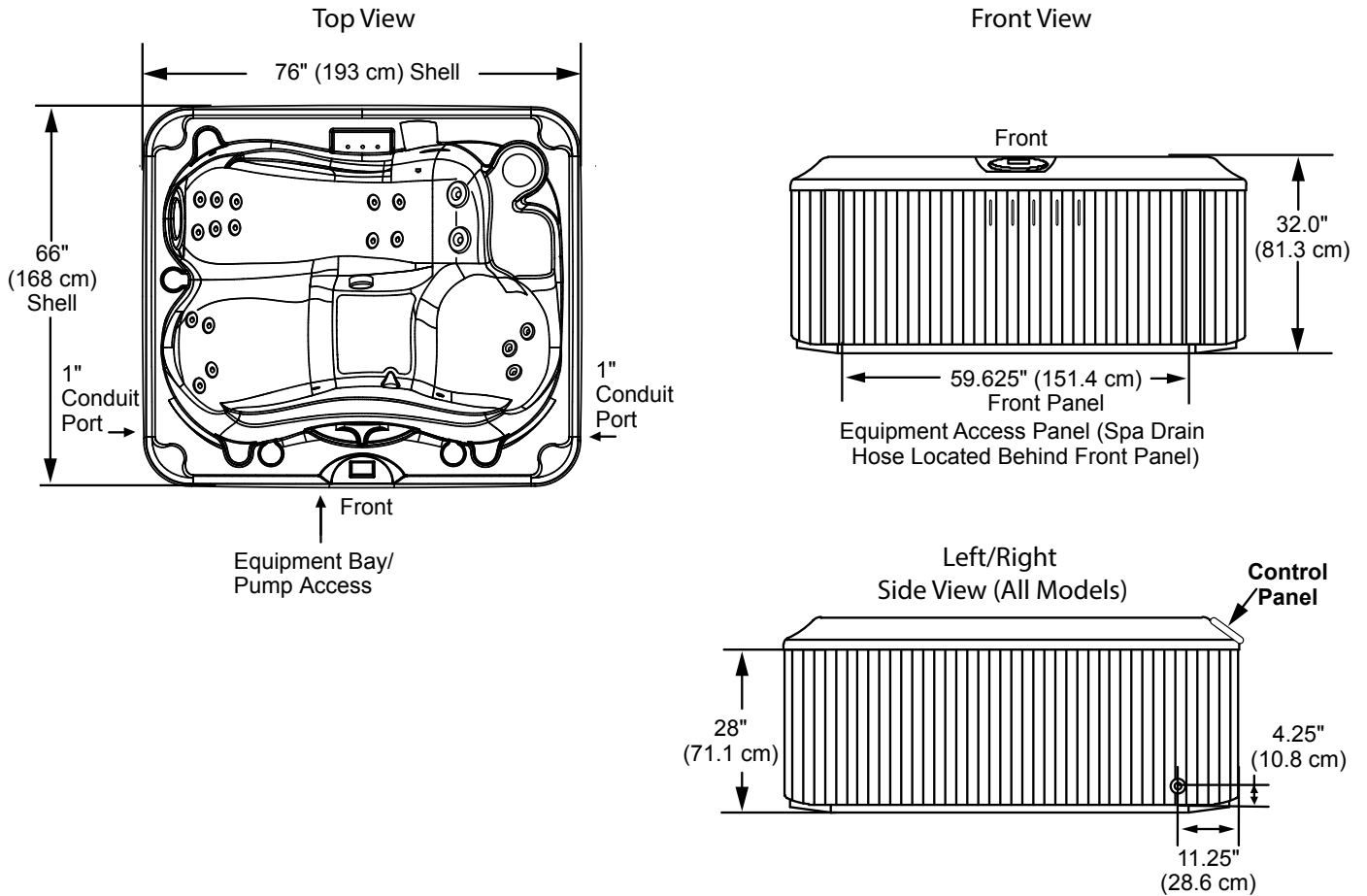
D = 28.7" (73.2 cm)

Listed dimensions represent distance from top of acrylic to lowest point in seat. Tolerance $\pm 0.5"$ (1.27 cm).

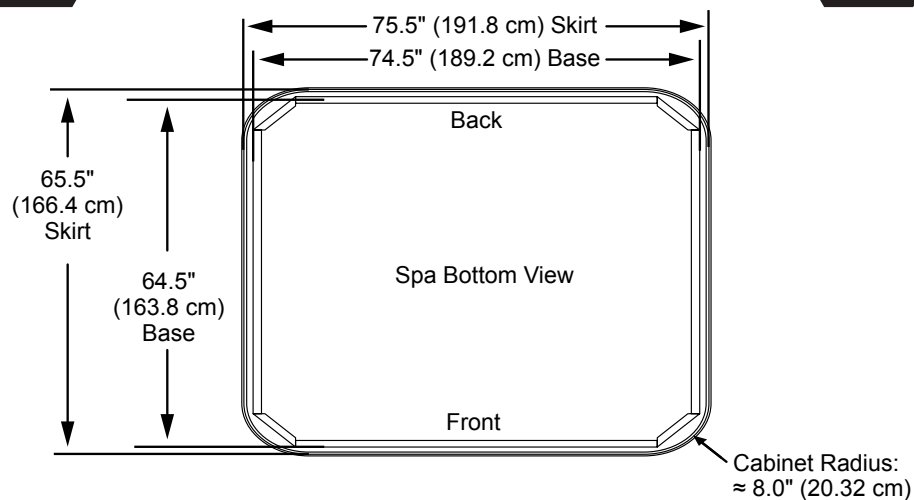


Dimensions/Specifications are Subject to Change Without Notice

Jacuzzi J-115




IMPORTANT! Always measure each hot tub for exact dimensions BEFORE designing its foundational support and/or decking.

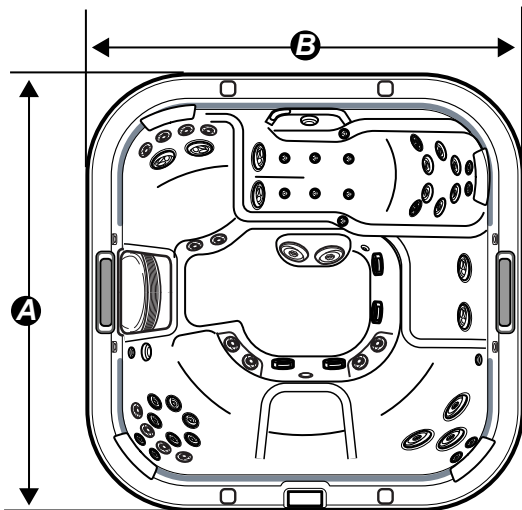


Dimensions/specifications subject to change without notice. Tolerance: $\pm 0.5"$ (1.27 cm)

Complete Dimensions - All J-500 Collection Models

Spa Models	DIMENSIONS A-F (All measurements are an approximate)						
	A	B	C	D	E	F	
J-575	91.0" (231.1 cm)	91.0" (231.1 cm)	5.25" (13.3 cm)	9.5" (24.13 cm)	53.0" (134.6 cm)	19.0" (48.3 cm)	
J-585							
DIMENSIONS G-J (All measurements are an approximate)							
	G	H	I	J	CLEARARRAY®	 <p>IMPORTANT! Always measure each hot tub for exact dimensions BEFORE designing its foundation support and/or decking.</p>	
J-575	28.25" (71.8 cm)	37.5" (95.25 cm)	42.0" (107.0 cm)	Front Right	Front Center		
J-585							
DIMENSIONS K-M (All measurements are an approximate)							
	K	L	M	N	O		
J-575	4.0" (10.16 cm)	8.5" (21.6 cm)	3.25" (8.3 cm)	36.75" (93.3 cm)	3.0" (7.62 cm)		
J-585							
- Dimensions Subject to Change Without Notice -							

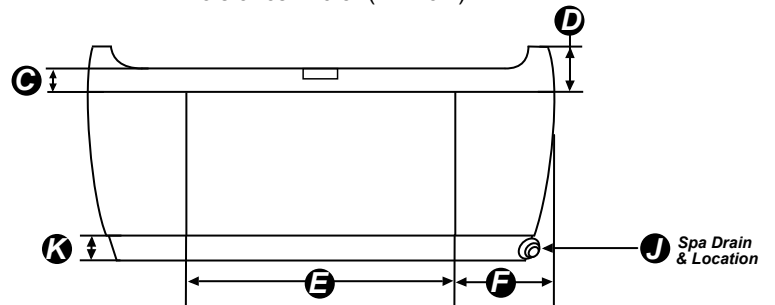
Spa Top View



Side Panel Conduit Port

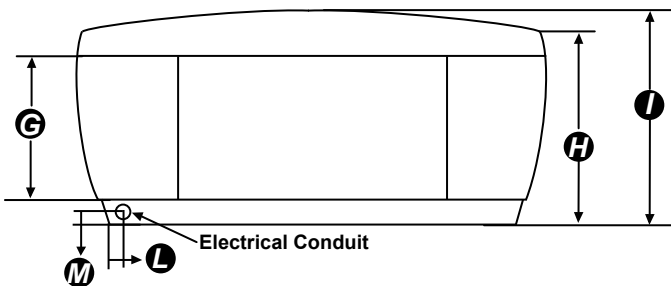
FRONT

Control Panel Side View
Tolerance: ± 0.5" (1.27 cm)

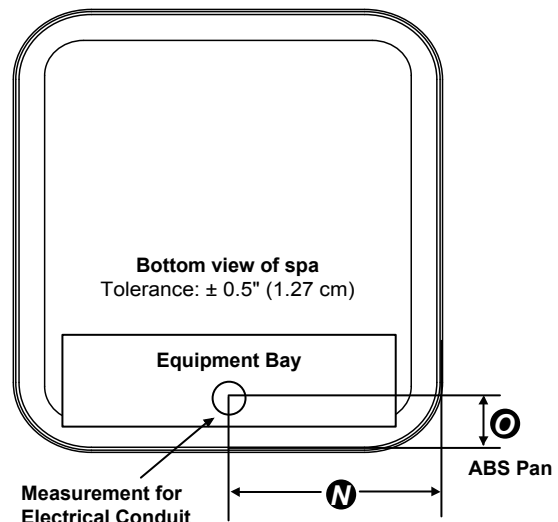


Spa Drain & Location

Left/Right Side View
Tolerance: ± 0.5" (1.27 cm)



Electrical Conduit



Bottom view of spa
Tolerance: ± 0.5" (1.27 cm)

Equipment Bay

Measurement for Electrical Conduit

ABS Pan

IMPORTANT! Always measure each hot tub for exact dimensions BEFORE designing its foundation support and/or decking.

Complete Dimensions-All J400 Collection Models

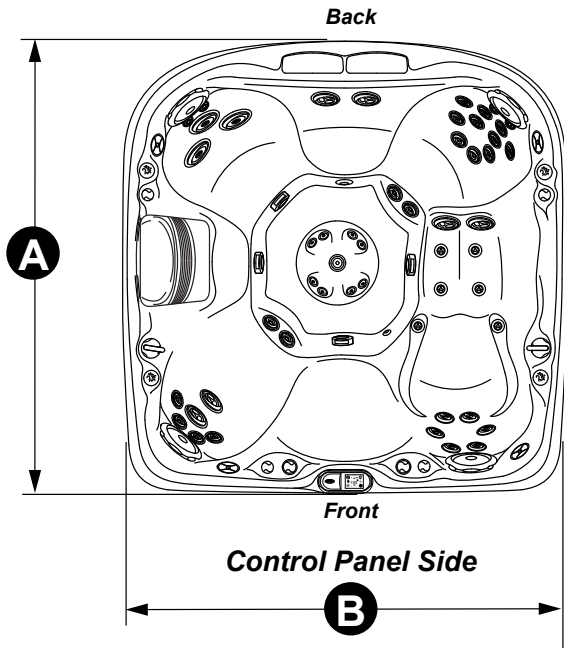
Spa Models	DIMENSIONS A-F (All measurements are an approximate ± .5")					
	A	B	C	D	E	F
J-495	110" (279 cm)	90" (229 cm)	33.25" (84.5 cm)	110" (279 cm)	34.6" (87.9 cm)	41" (104.1 cm)
J-480	94" (239 cm)	94" (239 cm)		94" (239 cm)	32.5" (82.6 cm)	39" (99.0 cm)
J-470	91" (231 cm)	91" (231 cm)		91" (231 cm)	32.5" (82.6 cm)	39" (99.0 cm)
J-465	88" (224 cm)	88" (224 cm)		88" (224 cm)	32.5" (82.6 cm)	39" (99.0 cm)
J-425	87" (221 cm)	76" (193 cm)		76" (193 cm)	28.6" (72.6 cm)	34" (86.4 cm)
J-415	66" (167.6 cm)	76" (193 cm)		76" (193 cm)	28.6" (72.6 cm)	32" (81.3 cm)
Spa Models	DIMENSIONS G-L (All measurements are an approximate ± .5")					
	G	H	I	J	K	L
J-495	46" (116 cm)	≈ 7.6" (19.4 cm)	N/A	≈ 146.1" (371.2 cm)	≈ 19.9" (50.7 cm)	N/A
J-480	44" (112 cm)	≈ 8.0" (20.3 cm)	≈ 720.75" (1830.7 cm)	≈ 146.1" (371.2 cm)	≈ 19.9" (50.7 cm)	≈ 457.6" (1162.3 cm)
J-470	44" (112 cm)	≈ 8.0" (20.3 cm)	≈ 900.50" (2287.3 cm)	≈ 146.1" (371.2 cm)	≈ 19.9" (50.7 cm)	≈ 457.6" (1162.3 cm)
J-465	44" (112 cm)	≈ 8.4" (21.4 cm)	≈ 800.44" (2033.1 cm)	≈ 225" (571.5 cm)	≈ 14.75" (37.5 cm)	≈ 458" (1163.3 cm)
J-425	39" (99.1 cm)	≈ 7.6" (19.4 cm)	N/A	N/A	≈ 17.6" (44.8 cm)	N/A
J-415	N/A	≈ 7.6" (19.4 cm)	N/A	N/A	≈ 17.6" (44.8 cm)	N/A
Spa Models	DIMENSIONS M-R (All measurements are an approximate ± .5")					
	M	N	O	P	Q	R
J-495	Front Right	≈ 26.5" (67.3 cm)	≈ 12.1" (30.8 cm)	≈ 20.1" (51.1 cm)	≈ 16.25" (41.3 cm)	Front Center
J-480	Front Left	≈ 26.7" (67.9 cm)	≈ 10.4" (26.4 cm)	≈ 21.2" (54.0 cm)	≈ 17.25" (43.8 cm)	
J-470	Front Left	≈ 26.7" (67.9 cm)	≈ 10.4" (26.4 cm)	≈ 19.6" (49.9 cm)	≈ 15.8" (40.3 cm)	
J-465	Front Left	≈ 26.7" (67.9 cm)	≈ 10.4" (26.4 cm)	≈ 18.9" (48.0 cm)	≈ 14.1" (35.9 cm)	
J-425	Front Left	≈ 23.2" (59.1 cm)	≈ 9.8" (24.8 cm)	≈ 16.2" (41.3 cm)	≈ 12.25" (31.1 cm)	
J-415	Front Right	≈ 22.8" (58.1 cm)	≈ 7.1" (18.0 cm)	≈ 17.1" (43.5 cm)	≈ 13.0" (33.0 cm)	



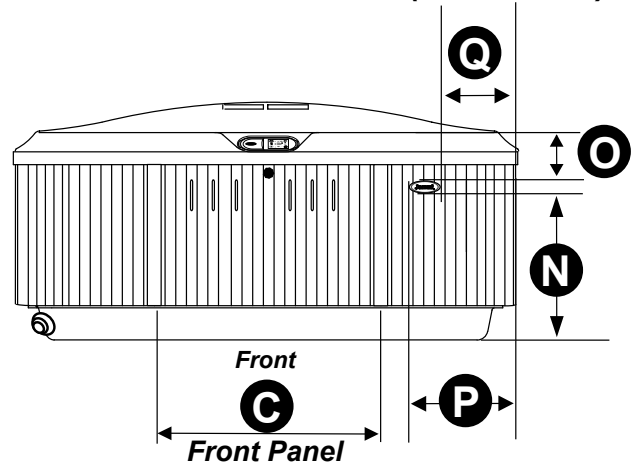
IMPORTANT! Always measure each hot tub for exact dimensions before designing its foundation support and/or decking.



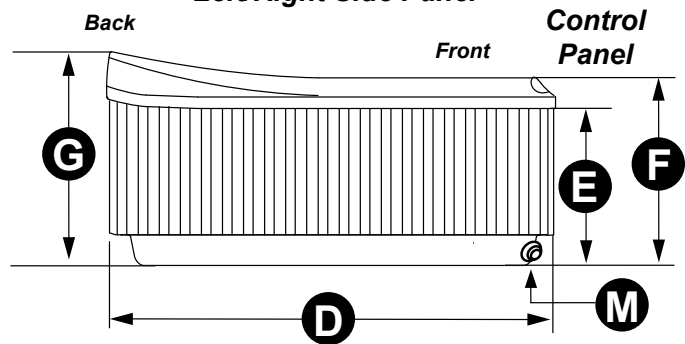
Spa Top View (J-480 Illustrated)



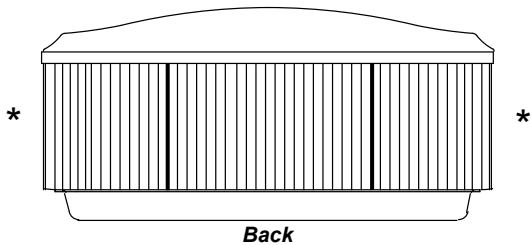
Control Panel Side View (All Models)



Side View (J-480 Illustrated) Left/Right Side Panel

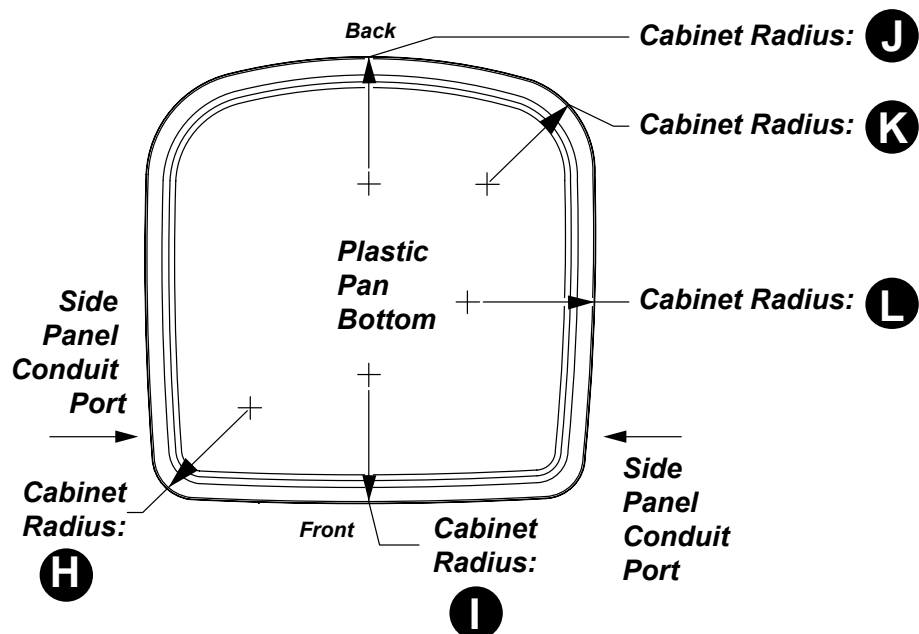


Important Panel Access Details




*Note: Side panels utilize a wrap-around design which meets at the back of the spa. For serviceability, always allow for full side and back panel access.

Spa Bottom View (J-480 Illustrated)

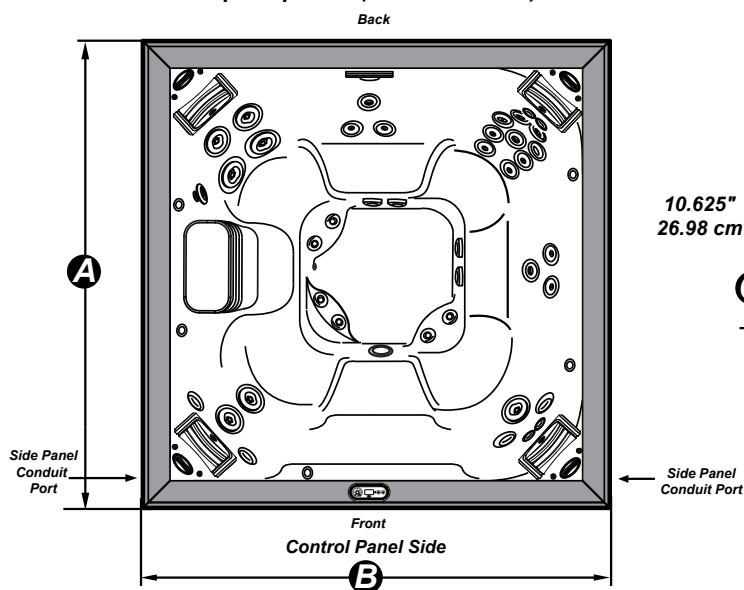


Note: Gaps in underlying wood frame are for ventilation purposes; not for electrical hook-ups or other uses.

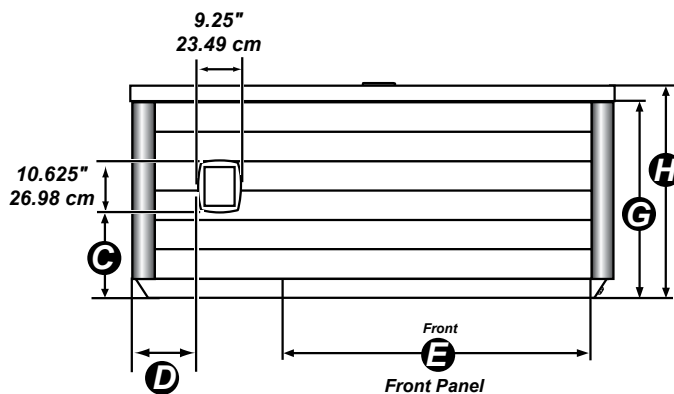
Complete Dimensions - All J-LX Collection Models

Spa Models	DIMENSIONS A-F (All measurements are an approximate)					
	A	B	C	D	E	F
J-LXL	84" (213.4 cm)	84" (213.4 cm)	14.0" (35.5 cm)	9.75" (24.7 cm)	53.0" (134.6 cm)	81.0" (205.7 cm)
J-LX						
DIMENSIONS G-J (All measurements are an approximate)						
	G	H	I	J	CLEARARRAY®	 <p>IMPORTANT! Always measure each hot tub for exact dimensions BEFORE designing its foundation support and/or decking.</p>
J-LXL	33.5" (85.1 cm)	36.0" (91.4 cm)	81.0" (205.7 cm)	Front Right	Front Right	
J-LX						
- Dimensions Subject to Change Without Notice -						

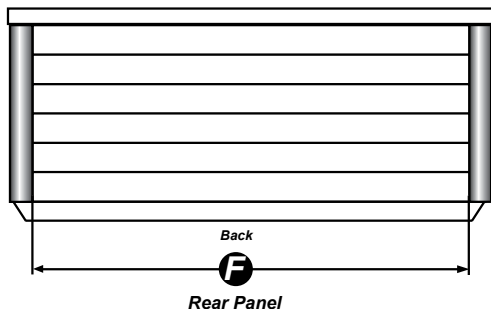
Spa Top View (J-LX Illustrated)



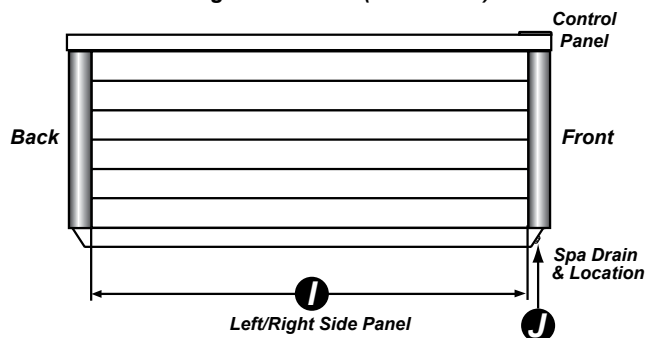
Control Panel Side View (All Models)



Rear Side View (All Models)



Left/Right Side View (All Models)




Note: Gaps in underlying wood frame are for ventilation purposes; not for electrical hook-ups or other uses.

Complete Dimensions-All J300 Collection Models

Spa Models	DIMENSIONS A-F (All measurements are an approximate)					
	A	B	C	D	E	F
J-385	91" (231.1 cm)	91" (231.1 cm)	49.25" (125.1 cm)	64.50" (163.8 cm)	32.0" (81.28 cm)	38" (96.5 cm)
J-375				64.75" (164.5 cm)		
J-365	84" (213.4 cm)	84" (213.4 cm)	42" (106.7 cm)	56.25" (142.9 cm)	30.0" (76.2 cm)	36" (91.4 cm)
J-355						
J-345						
J-335						
J-325	76" (193 cm)	40.38" (102.6 cm)	47.5" (120.7 cm)	28" (71.1 cm)	34" (86.4 cm)	
J-315				26" (66.0 cm)	32" (81.3cm)	

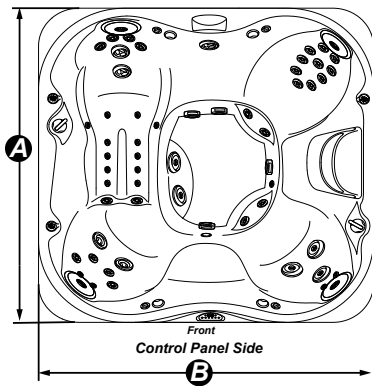
	DIMENSIONS G-J (All measurements are an approximate)		
	G	H	CLEARRAY®
J-385	64.5" (163.8 cm)	Front Right	Front Right
J-375		Front Right	
J-365	56.9" (144.5 cm)	Front Right	
J-355		Front Right	
J-345	56.25" (142.9 cm)	Front Right	
J-335		Front Right	
J-325	57" (144.8 cm)	Front Right	
J-315	39" (150.2 cm)	Front Right	



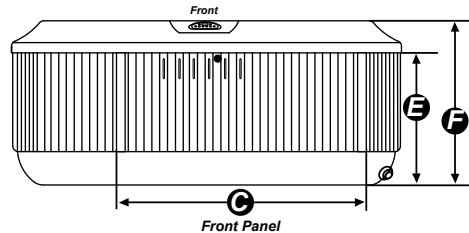
IMPORTANT! Always measure each hot tub for exact dimensions BEFORE designing its foundation support and/or decking.

- Dimensions Subject to Change Without Notice -

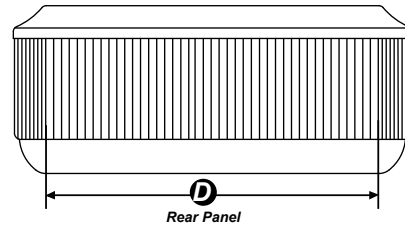
Spa Top View (J-365 Illustrated)
Back



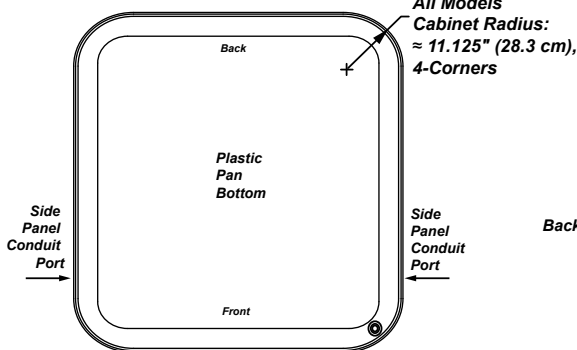
Control Panel Side View (All Models)



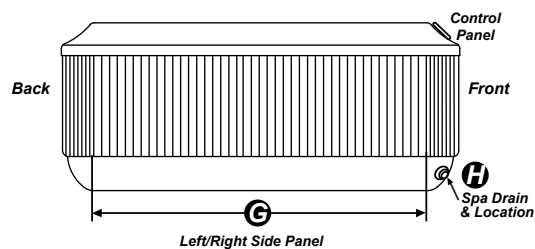
Rear Side View (All Models)



Spa Bottom View




Left/Right Side View (All Models)

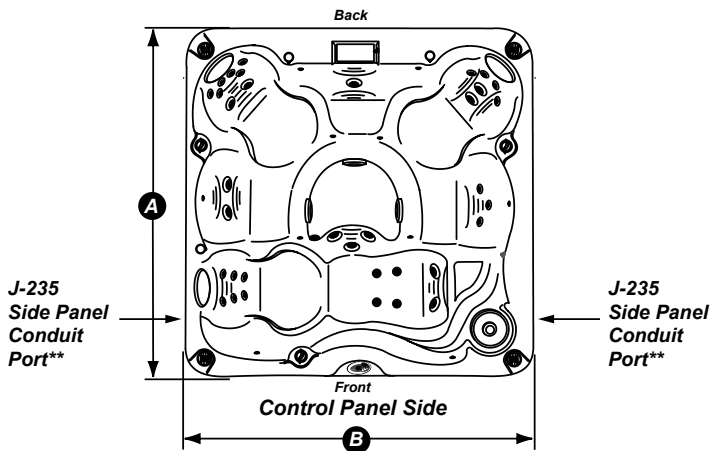


Note: Gaps in underlying wood frame are for ventilation purposes; not for electrical hook-ups or other uses.

Complete Dimensions-All J200 Collection Models

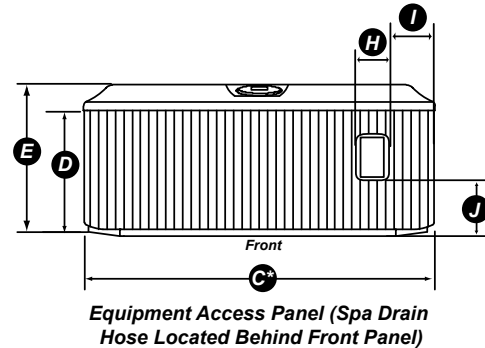
Spa Models	DIMENSIONS A-H (ALL MEASUREMENTS ARE AN APPROXIMATE)							
	A	B	C	D	E	F	G	H
J-210 (Round Spa)	78" (198.0 cm)		77.25" (196.2 cm) Round	30" (76.2 cm)	36" (91.5 cm)	77.25" (196.2 cm) Round	N/A	N/A
J-215	66" (168 cm)	76" (193 cm)	75.5" (191.8 cm)	28" (71.1 cm)	32" (81 cm)	75.5" (191.8 cm)	8.0" (20.3 cm)	9.25" (23.5 cm)
J-225	84" (213.5 cm)	76" (193 cm)	75.5" (191.8 cm)	30.5" (77.5 cm)	34.5" (87 cm)	75.5" (191.8 cm)	8.0" (20.3 cm)	9.25" (23.5 cm)
J-235	84" (213.5 cm)	84" (213.5 cm)	83.25" (211.4 cm)	32.5" (82.5 cm)	36" (91.5 cm)	83.25" (211.4 cm)	8.0" (20.3 cm)	9.25" (23.5 cm)
J-245	84" (213.5 cm)	84" (213.5 cm)	83.25" (211.4 cm)	32.5" (82.5 cm)	36" (91.5 cm)	83.25" (211.4 cm)	8.0" (20.3 cm)	9.25" (23.5 cm)
J-275	90" (228.6 cm)	90" (228.6 cm)	89.25" (226.7 cm)	32.5" (82.5 cm)	36.5" (92.7 cm)	89.25" (226.7 cm)	8.0" (20.3 cm)	9.25" (23.5 cm)
J-280	90" (228.6 cm)	90" (228.6 cm)	89.25" (226.7 cm)	32.5" (82.5 cm)	36.5" (92.7 cm)	89.25" (226.7 cm)	8.0" (20.3 cm)	9.25" (23.5 cm)
DIMENSIONS I-L (ALL MEASUREMENTS ARE AN APPROXIMATE)								
	I	J	K	L	CLEARRAY®	 IMPORTANT! Always measure each hot tub for exact dimensions BEFORE designing its foundation support and/or decking.		
J-215	11.0" (28.0 cm)	11.25" (28.6 cm)	11.25" (28.6 cm)	4.25" (10.8 cm)	None			
J-225	11.0" (28.0 cm)	11.25" (28.6 cm)	10.75" (27.3 cm)	4.25" (10.8 cm)	Center			
J-235	16.5" (41.9 cm)	13.25" (33.6 cm)	10.5" (26.67 cm)	4.5" (11.43 cm)	Front Right			
J-245	16.5" (41.9 cm)	13.25" (33.6 cm)	10.5" (26.67 cm)	4.5" (11.43 cm)				
J-275	17.5" (44.4 cm)	13.5" (34.3 cm)	11.5" (29.21 cm)	4.5" (11.43 cm)				
J-280	17.5" (44.4 cm)	13.5" (34.3 cm)	11.5" (29.21 cm)	4.5" (11.43 cm)				
- Dimensions Subject to Change Without Notice -								

Spa Top View (J-235 Illustrated)



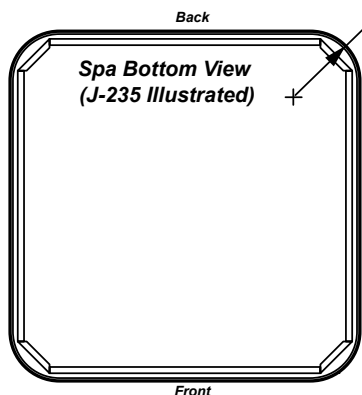
**Single Conduit Port Available on Round J-210 Models at Front Panel Side of Spa.

Control Panel Side View (All Models)



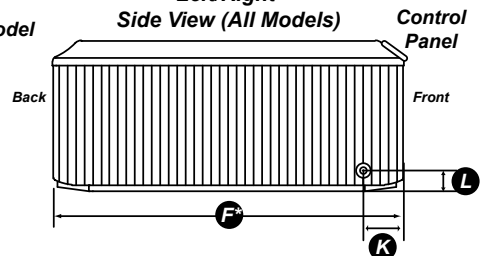
*Panels C & F: Always Design Surround or Decking to Allow Removal of Entire Side Skirt on All Sides of Spa for Drain/Repair Access.

Spa Bottom View (J-235 Illustrated)




⊙ Cabinet Radius: ≈ 8.0" (20.32 cm), 4-Corners
 ◇ Radius May Vary by Model

Left/Right Side View (All Models)

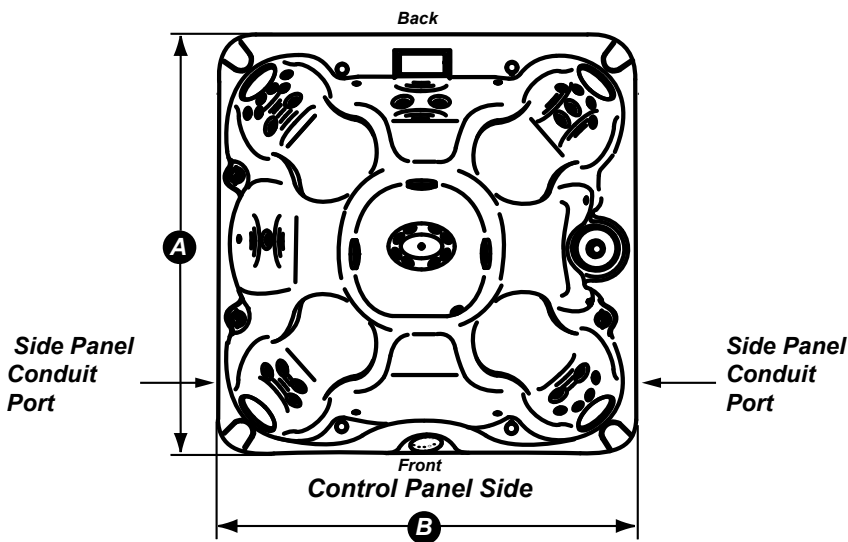


Note: Gaps in underlying wood frame are for ventilation purposes; not for electrical hook-ups or other uses.

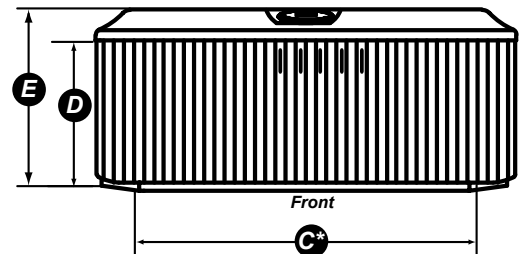
Complete Dimensions-All J100 Collection Models

Spa Models	DIMENSIONS A-G (ALL MEASUREMENTS ARE AN APPROXIMATE)						
	A	B	C	D	E	F	G
J-115	76" (193.0 cm)	66" (168.0 cm)	58.9" (149.6 cm)	28" (71.1 cm)	32" (81.3 cm)	49.0" (124.5 cm)	11.25" (28.6 cm)
J-125	84" (213.5 cm)	76" (193.0 cm)	58.9" (149.6 cm)	30.5" (77.5 cm)	34.5" (87 cm)	68.6" (174.2 cm)	11.25" (28.6 cm)
J-135	84" (213.5 cm)	84" (213.5 cm)	66.75" (169.5 cm)	32.5" (82.5 cm)	36" (91.5 cm)	66.75" (169.5 cm)	10.5" (26.7 cm)
J-145	84" (213.5 cm)	84" (213.5 cm)	66.75" (169.5 cm)	32.5" (82.5 cm)	36" (91.5 cm)	66.75" (169.5 cm)	10.5" (26.7 cm)
DIMENSIONS H-I (ALL MEASUREMENTS ARE AN APPROXIMATE)							
	H	I	 <p>IMPORTANT! Always measure each hot tub for exact dimensions BEFORE designing its foundation support and/or decking.</p>				
J-115	4.25" (10.8 cm)	8.0" (20.32 cm)					
J-125	4.25" (10.8 cm)	8.0" (20.32 cm)					
J-135	4.5" (11.4 cm)	8.0" (20.32 cm)					
J-145	4.5" (11.4 cm)	8.0" (20.32 cm)					
- Dimensions Subject to Change Without Notice -							

Spa Top View (J-145 Illustrated)

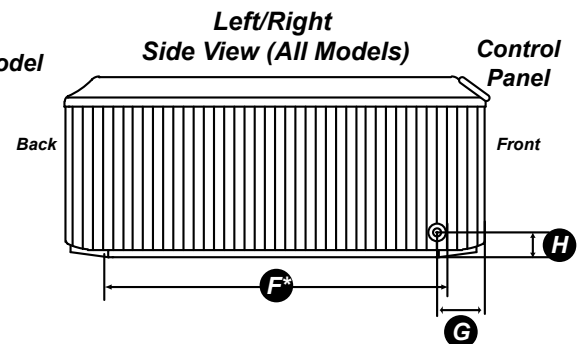
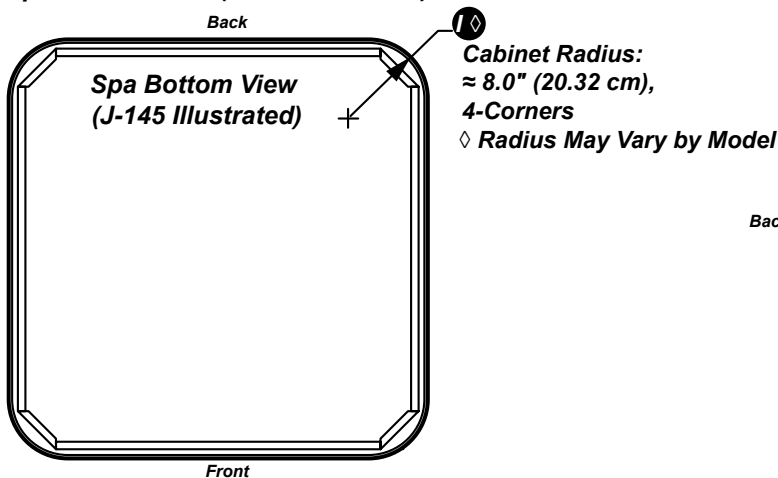


Control Panel Side View (All Models)



*Panels C & F: Always Design Surround or Decking to Allow Removal of Entire Side Skirt on All Sides of Spa for Drain/Repair Access.

Spa Bottom View (J-145 Illustrated)



Note: Gaps in underlying wood frame are for ventilation purposes; not for electrical hook-ups or other uses.

Your Jacuzzi Hot Tub Dealer is:



www.Jacuzzi.com
14525 Monte Vista Ave.
Chino, CA 91710

(7/17) GME-1213 Rev. B
© 2017 Jacuzzi Hot Tubs