

**PREMIUM  
J310  
PLUMBING  
PARTS CATALOG**

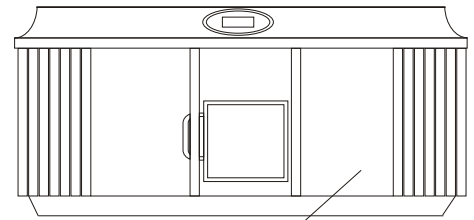


All diagrams are for reference only and subject to change without notice.

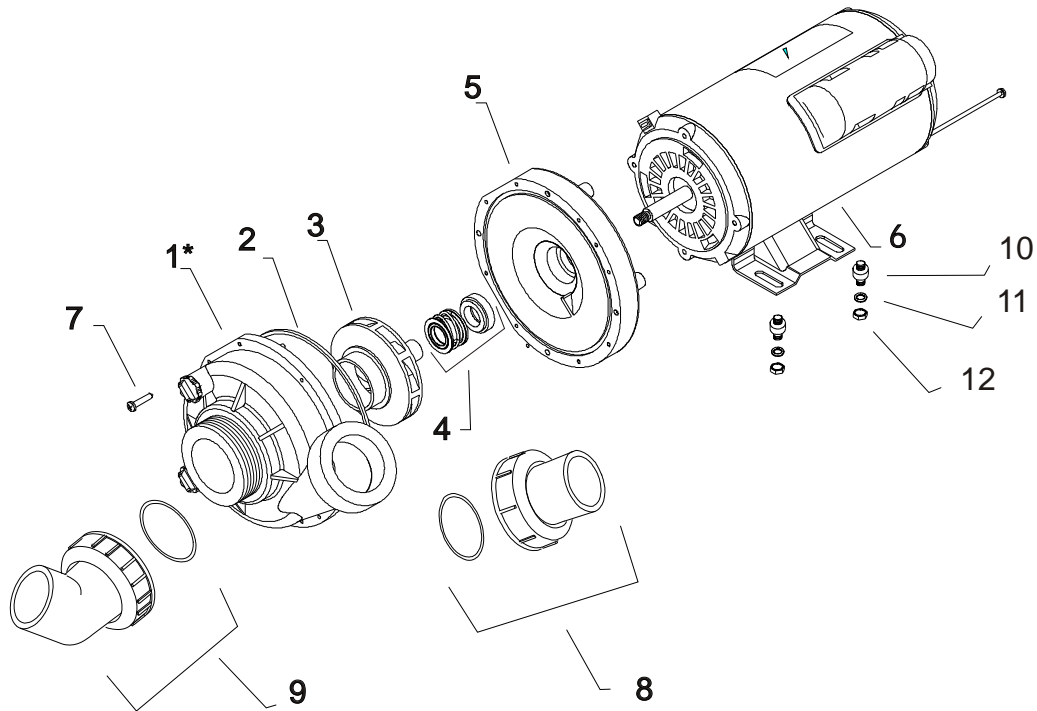


PREMIUM  
J310

# PUMP



Pump/Motor



ITEM	JP #	DESCRIPTION	QTY
1*	6500-287	HOUSING: FRONT	1
2	6500-290	O-RING: FRONT HOUSING	1
3	6500-297	IMPELLER: 3.875" DIA	1
4	6500-805	PUMP: SEAL ASSY 3/4" VITON	1
5	6500-311	HOUSING: REAR BRACKET	1
6	6500-277	MOTOR: 1.5HP 2SP 115V 60Hz	1
7	6570-070	SCREW: #10 - 12 X 1.0 TYPE "A" TAPPING	7
8	6500-232	UNION: ASSEMBLY 2" (STRAIGHT)	1
9	6500-037	UNION: ASSEMBLY 2" (45°)	1
10	6570-023	INSULATOR: 3/4"	4
11	6570-127	WASHER: SPLIT LOCK 5/16"	4
12	6570-126	NUT: HEX 5/16"	4
N/S	6500-258	J310 COMPLETE PUMP/MOTOR ASSEMBLY	1

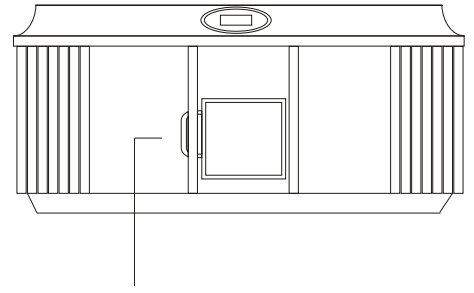
1\* THE PUMP ROTATION IS 3:00 - THIS IS VERY IMPORTANT

All diagrams are for reference only and subject to change without notice.

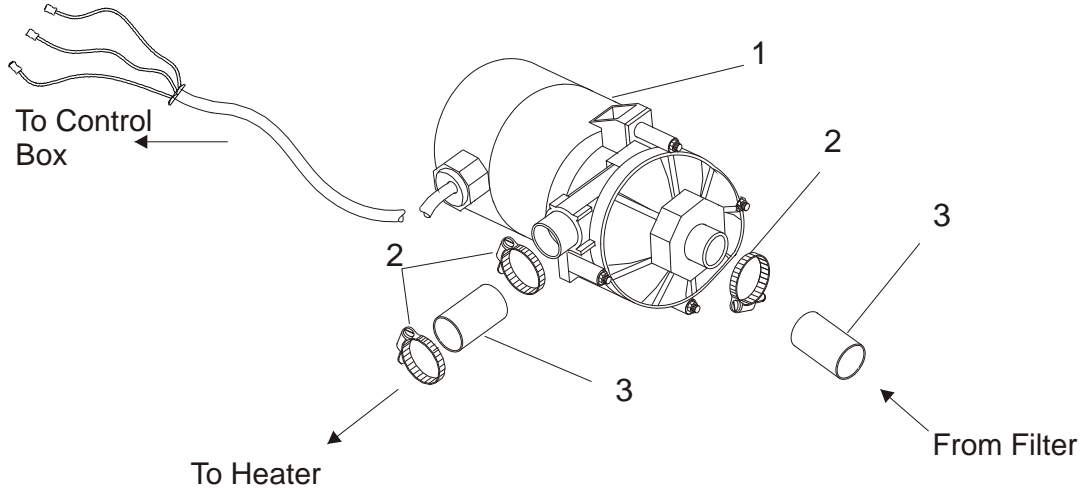


PREMIUM  
J310

# CIRCULATION PUMP



Circulation Pump  
(behind control box)



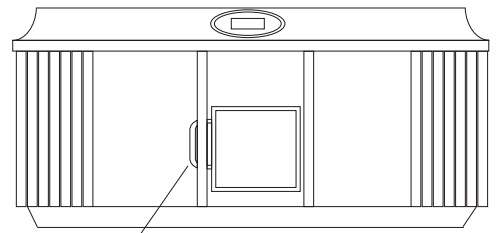
ITEM	JP #	DESCRIPTION	QTY
1	6500-038	PUMP: CIRCULATION 120V 60Hz w/CORD	1
2	6570-099	CLAMP: 3/4" STAINLESS	3
3	6540-744	HOSE: 3/4" CLEAR PVC	N/A



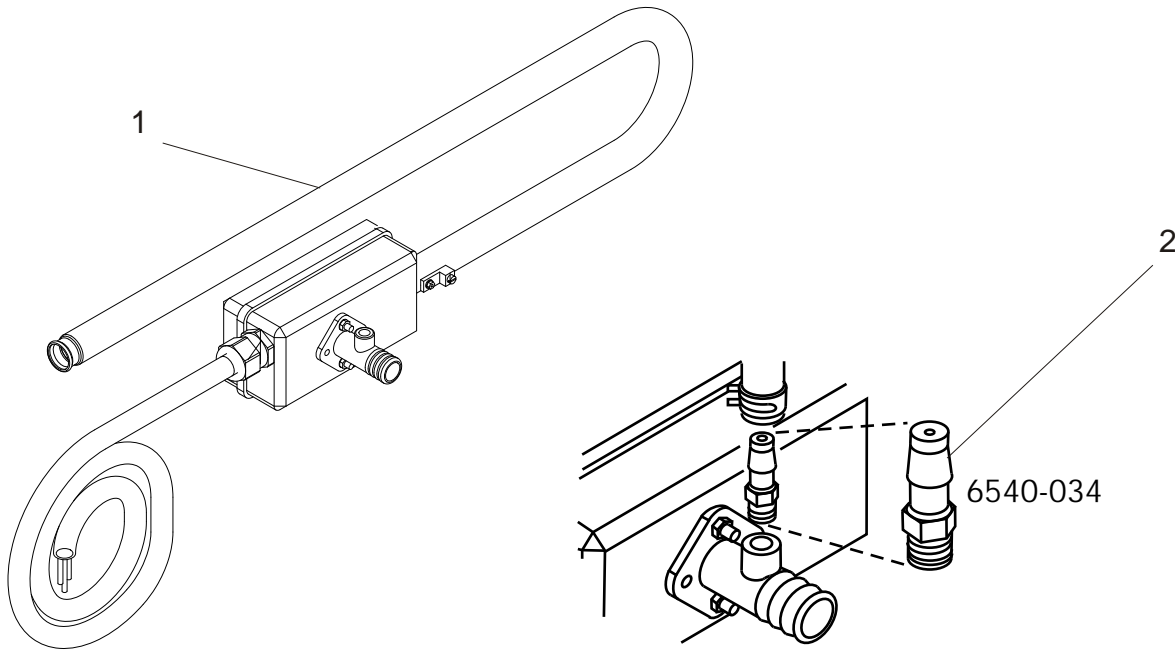
PREMIUM

J310

# HEATER



Heater  
(attaches to control box)



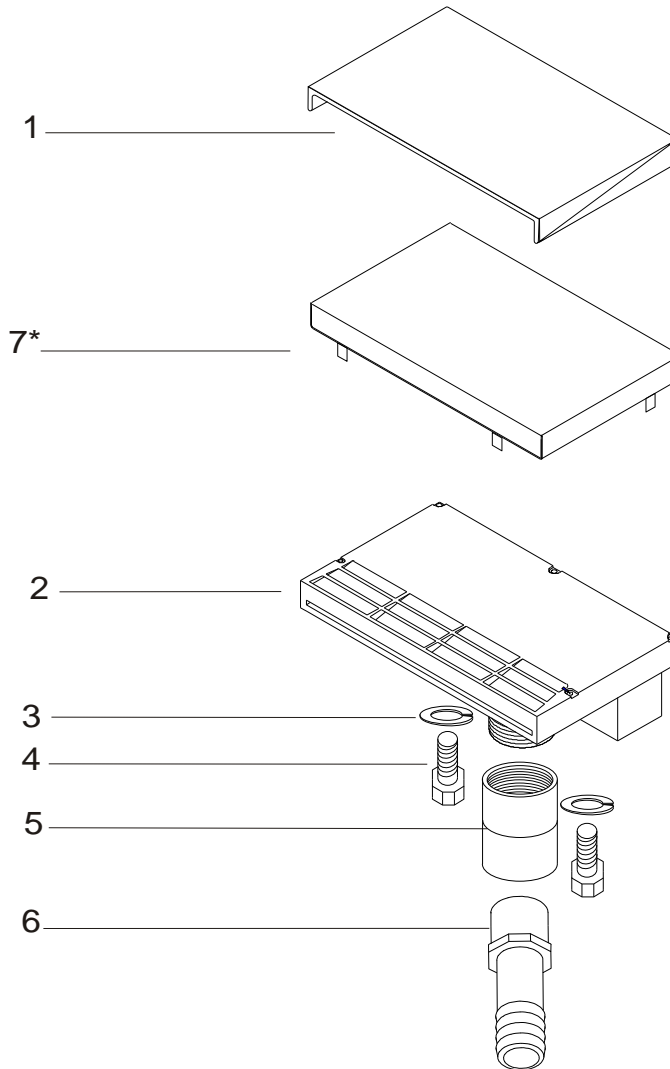
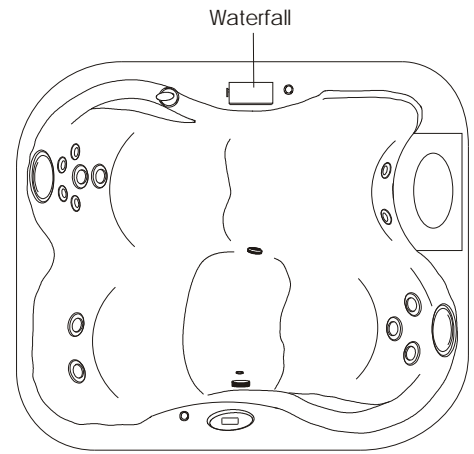
ITEM	JP #	DESCRIPTION	QTY
1	6500-063	HEATER: 1kW/4 kW 120V/240V	1
2	6540-034	ADAPTER: 1/8"X 3/8" BARB (FREEZE LINE)	1



PREMIUM

J310

WATERFALL



ITEM	JP #	DESCRIPTION	QTY
1	6540-925	COVER: WATERFALL GREY PLASTIC	1
2	6540-921	FILLSPOUT: WATERFALL CLEAR	1
3	6570-121	WASHER: SPLIT LOCK 5/16 SS	2
4	6570-120	BOLT: HEX 1/4 - 20 X 1" SS	2
5	2540-004	ADAPTER: 3/4" S x FPT	1
6	6540-064	ADAPTER: 3/4" SP x BARB	1
7*	6000-530	COVER: WATERFALL STAINLESS STEEL	1

\*THE STAINLESS STEEL COVER IS AVAILABLE WHILE QUANTITIES LAST

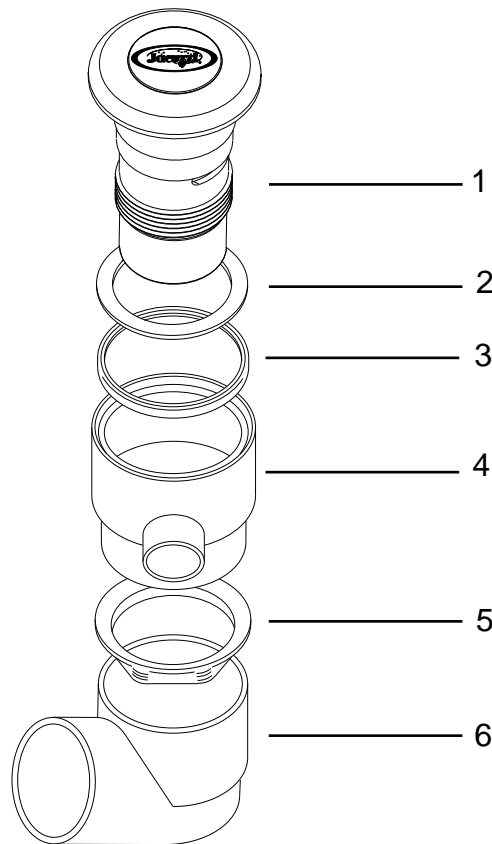
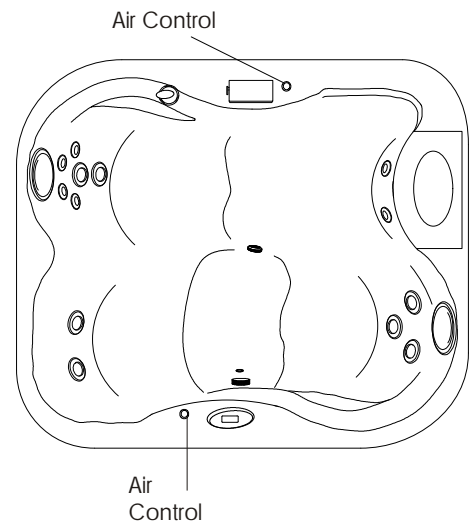
All diagrams are for reference only and subject to change without notice.



PREMIUM

J310

# AIR CONTROL



ITEM	JP #	DESCRIPTION	QTY
1	6540-914	CONTROL: AIR PUSH BUTTON	1
2	6540-913	GASKET: PUSH BUTTON AIR CONTROL	1
3	6540-522	O-RING: PUSH BUTTON AIR CONTROL	1
4	6540-912	MANIFOLD: PUSH BUTTON AIR CONTROL	1
5	6540-911	NUT: PUSH BUTTON AIR CONTROL	1
6	6540-910	ELBOW: PUSH BUTTON AIR CONTROL	1

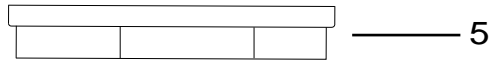
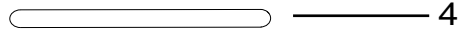
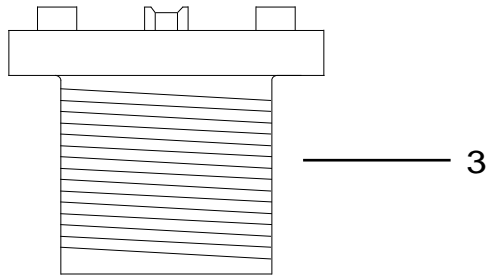
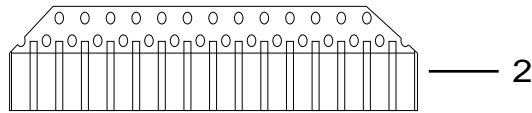
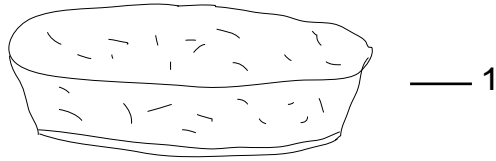
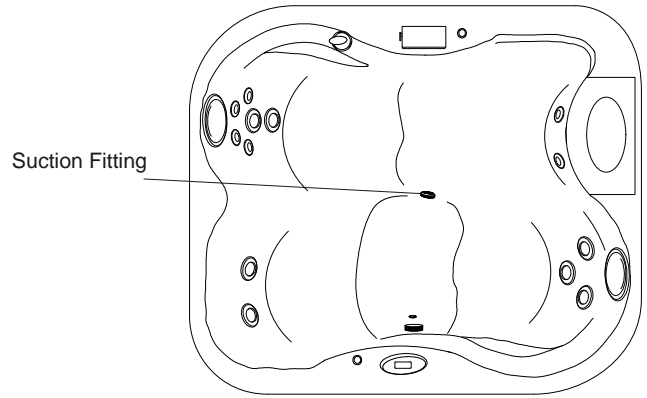
All diagrams are for reference only and subject to change without notice.



PREMIUM

J310

# SUCTION FITTINGS



ITEM	JP #	DESCRIPTION	QTY
1	6540-113	FILTER: SPA DRAIN COVER	1
2	6540-553	COVER: SUCTION/DRAIN	1
3	6540-567	FITTING: WALL SUCTION/DRAIN	1
4	6540-509	O-RING: SUCTION/DRAIN	1
5	6540-552	NUT: SUCTION/DRAIN	1

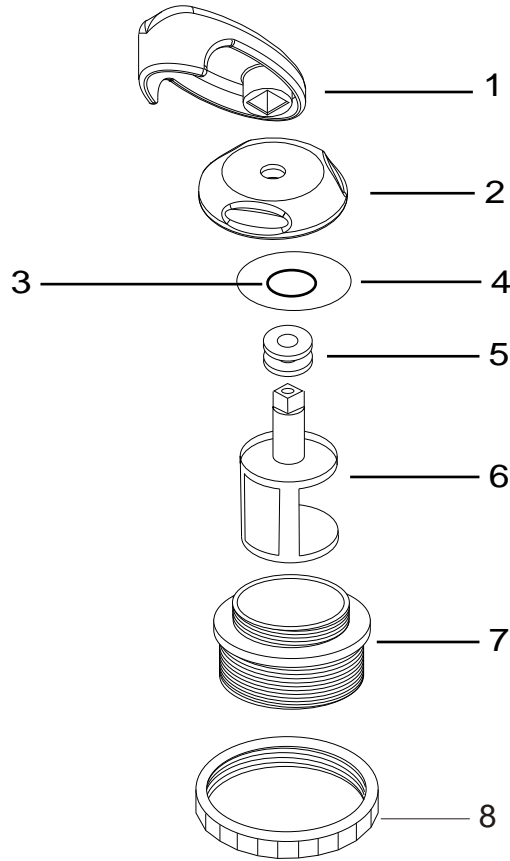
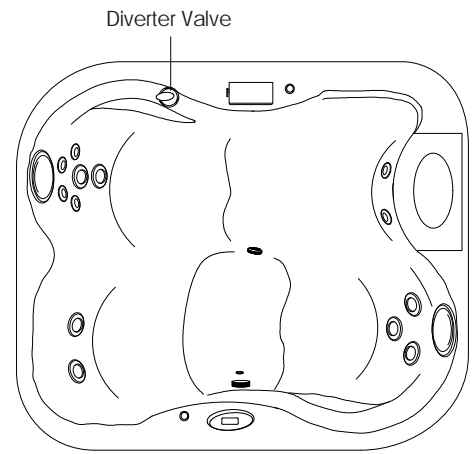
All diagrams are for reference only and subject to change without notice.



PREMIUM

J310

# DIVERTER



ITEM	JP #	DESCRIPTION	QTY
1	6540-728	KNOB: DIVERTER	1
2	6540-729	CAP: DIVERTER	1
3	6540-868	O-RING: T VALVE EP70 .591ID WHT	1
4	6540-865	O-RING: DIVERTER CAP	1
5	6570-248	SPACER: NYLON DIVERTER	2
6	6540-863	GATE: DIVERTER	1
7	6541-220	FITTING: WALL DIVERTER	1
8	6540-861	NUT: DIVERTER	1

All diagrams are for reference only and subject to change without notice.

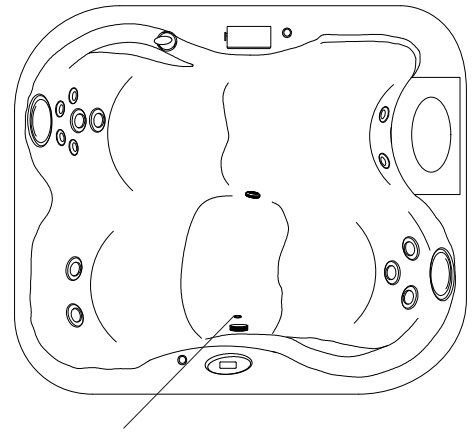




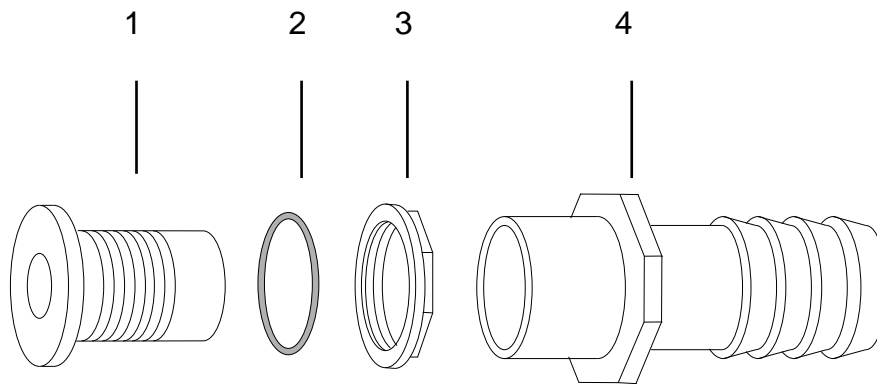
PREMIUM

J310

# HEATER RETURN FITTING



Heater return fitting



ITEM	JP #	DESCRIPTION	QTY
1	6540-291	FITTING: WALL HEATER RETURN	1
2	6540-682	O-RING: 1.22 I.D.	1
3	6540-685	NUT: HEATER RETURN	1
4	6540-827	ADAPTER: 3/4" X 3/4" S X BARB	1

All diagrams are for reference only and subject to change without notice.



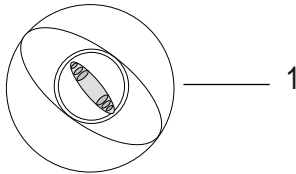
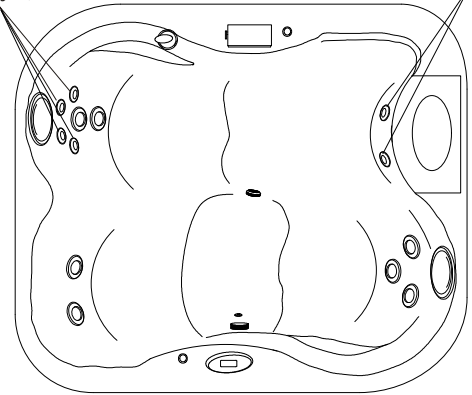
PREMIUM

J310

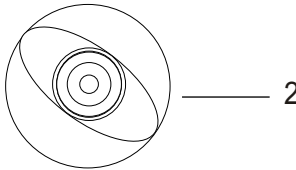
# MINI POWERPRO JET (DX)

Mini PowerPro  
Rotational (qty 4)

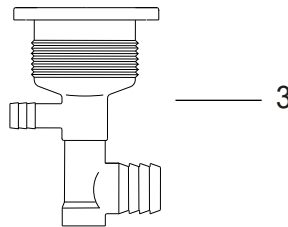
Mini PowerPro  
Rotational (qty 2)



1



2



3



4



5



6

ITEM	JP #	DESCRIPTION (From 1-1-02 to 7-18-03)*	QTY
1	6540-766	JET: FACE ROTATING MINI POWERPRO	1
2	6540-765	JET: FACE DIRECTIONAL MINI POWERPRO	1
3	6540-768	JETBACK: MINI POWERPRO	1
4	6540-824	O-RING: "L" MINI POWERPRO	1
5	6540-767	WASHER: SELF LEVEL MINI POWERPRO	1
6	6540-769	NUT: MINI POWERPRO	1

\* From 1-1-02 to 8-30-02 the jet was adjustable and used the 6000-011 jetback

All diagrams are for reference only and subject to change without notice.



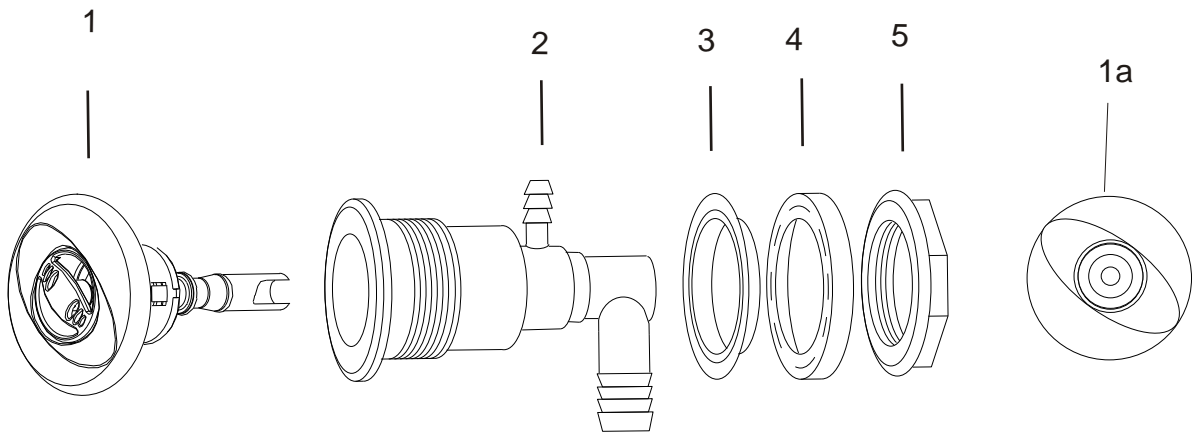
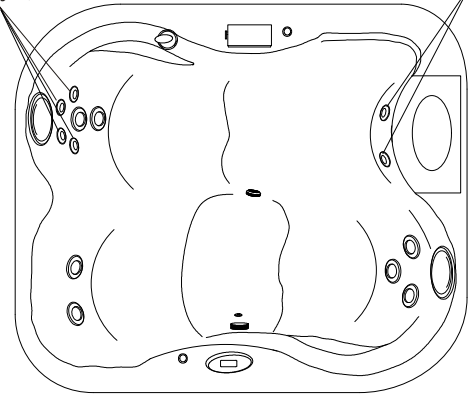
PREMIUM

J310

# MINI POWERPRO JET (DX)

Mini PowerPro  
Rotational (qty 4)

Mini PowerPro  
Rotational (qty 2)



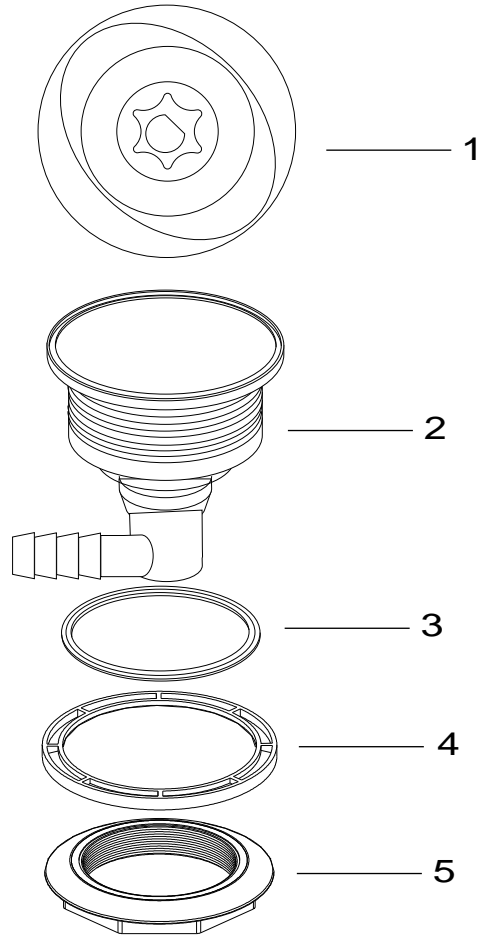
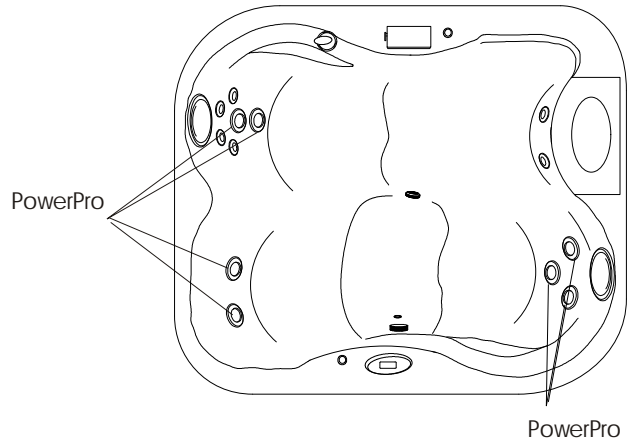
ITEM	JP #	DESCRIPTION (7-18-03 to 2-12-04)	QTY
1	6540-829	JET: FACE MINI POWERPRO ROTATIONAL	1
1a	6540-830	JET: FACE MINI POWERPRO DIRECTIONAL	1
2	6540-341	JETBACK: MINI POWERPRO	1
3	6540-333	O-RING: "L" MINI POWERPRO	1
4	6540-332	WASHER: SELF LEVEL MINI POWERPRO	1
5	6540-334	NUT: MINI POWERPRO	1

All diagrams are for reference only and subject to change without notice.



PREMIUM  
J310

# POWERPRO JET (LX)



ITEM	JP #	DESCRIPTION	QTY
1	6540-760	JET: FACE POWERPRO	1
2	6540-761	JETBACK: POWERPRO	1
3	6540-825	O-RING: POWERPRO	1
4	6540-763	WASHER: SELF LEVEL POWERPRO	1
5	6540-762	NUT: POWERPRO	1

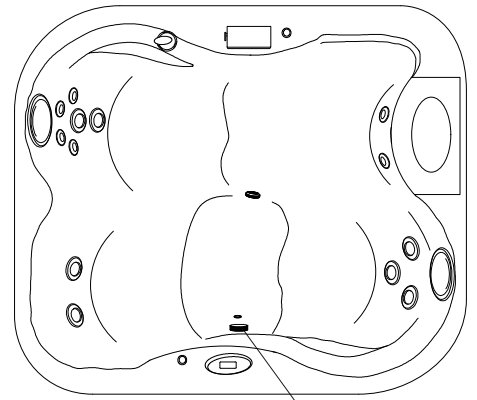
All diagrams are for reference only and subject to change without notice.



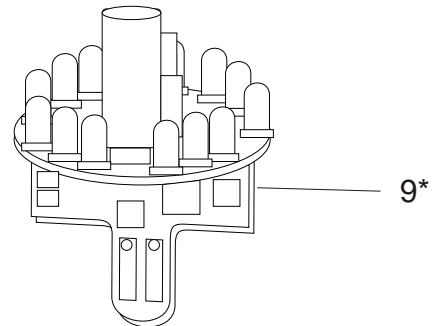
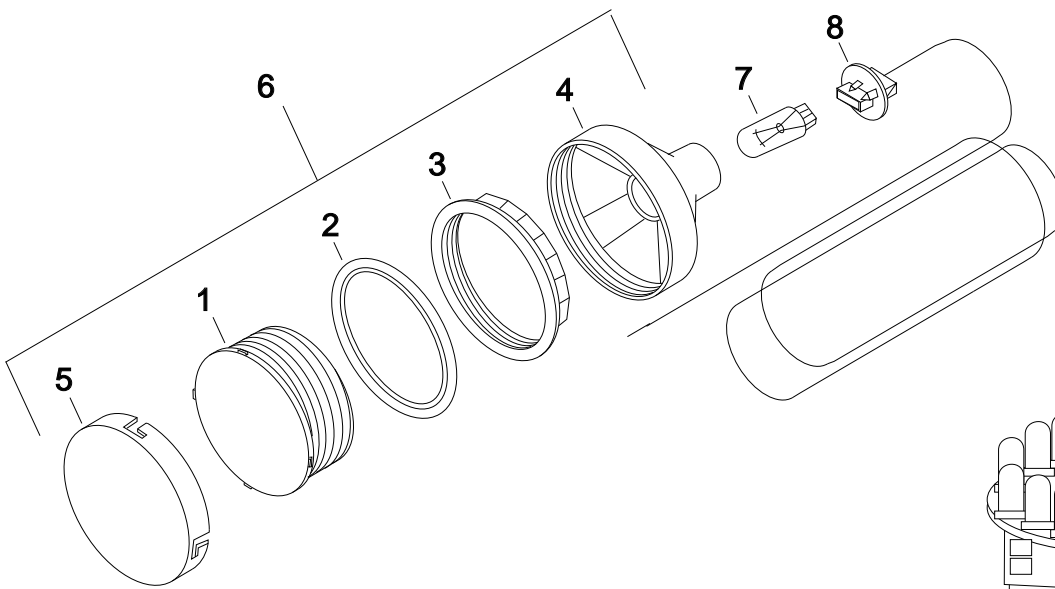
PREMIUM

J310

LIGHT



Spa light



ITEM	JP #	DESCRIPTION	QTY
1	6540-442	FITTING: WALL SERVICEABLE LIGHT	1
2	6540-520	O-RING	1
3	6540-443	NUT: SERVICEABLE LIGHT	1
4	6540-444	HOUSING: BULB SERVICEABLE LIGHT	1
5	6540-446	LENS: CLEAR SERVICEABLE LIGHT	1
6	6540-998	ASSEMBLY: LIGHT WALL LED	1
7	6560-246	BULB: SPA LIGHT 12W LED	1
8	6560-247	HARNESS: SERVICEABLE LIGHT LED	1
9*	6472-676	LIGHT: LED 16 PIN	

9\* THIS IS AN OPTIONAL FEATURE

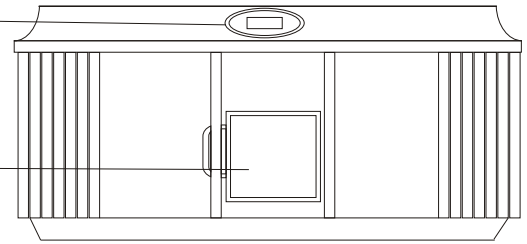
All diagrams are for reference only and subject to change without notice.



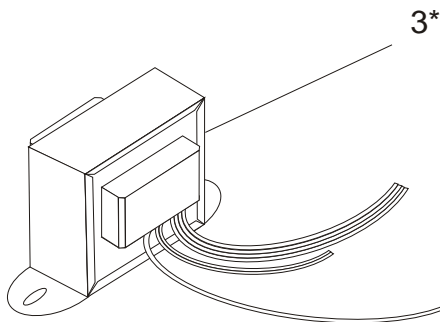
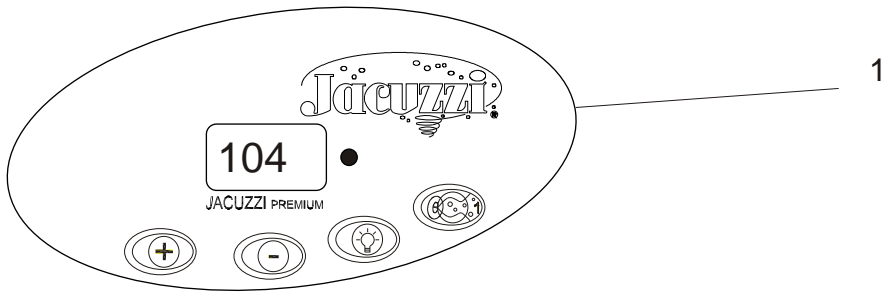
PREMIUM  
J310

Topside

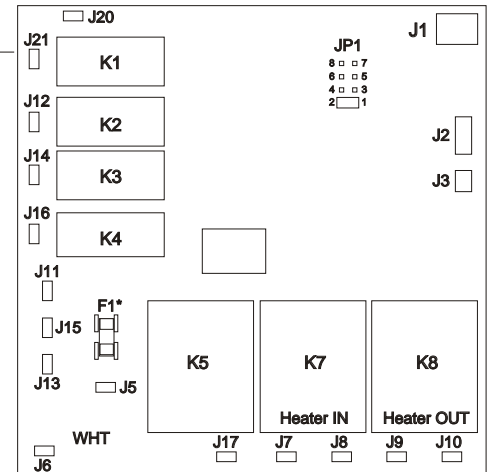
Circuit Board  
& Transformer



# TOPSIDE, CIRCUIT BOARD & TRANSFORMER



2



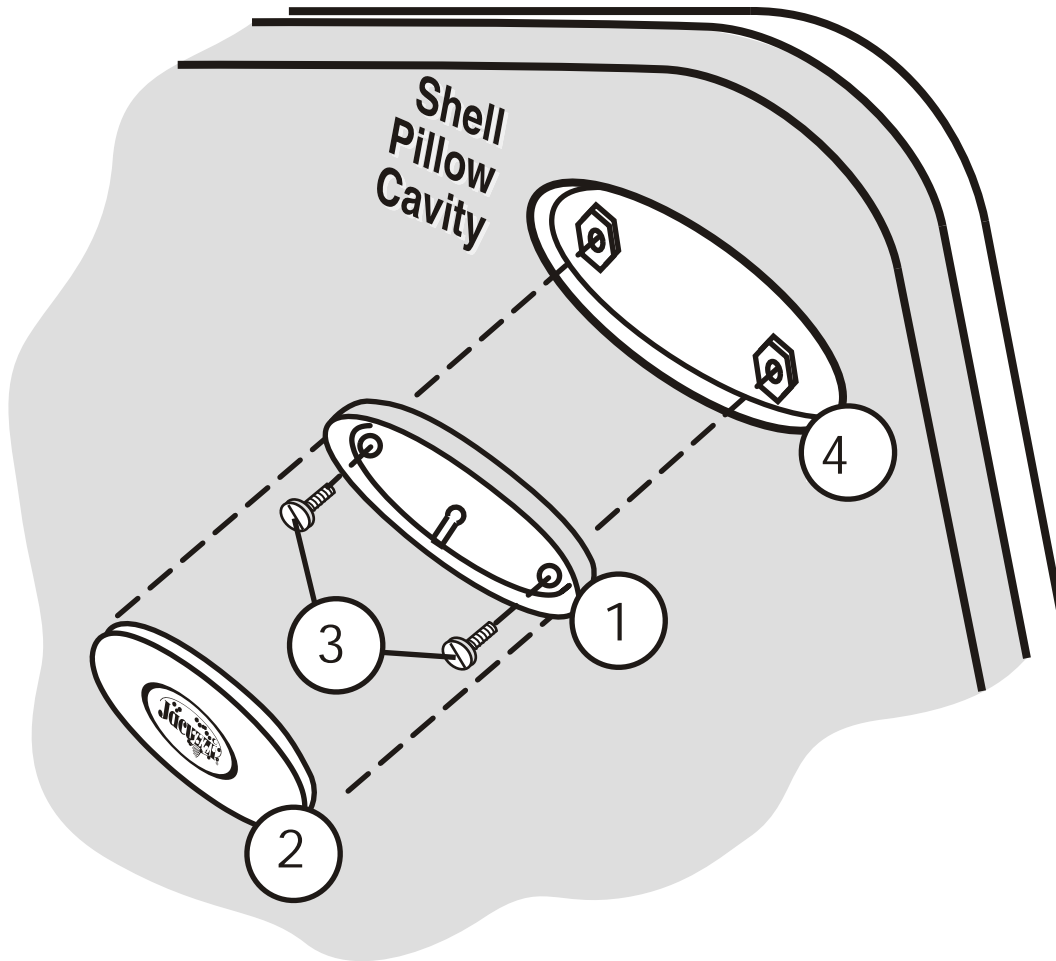
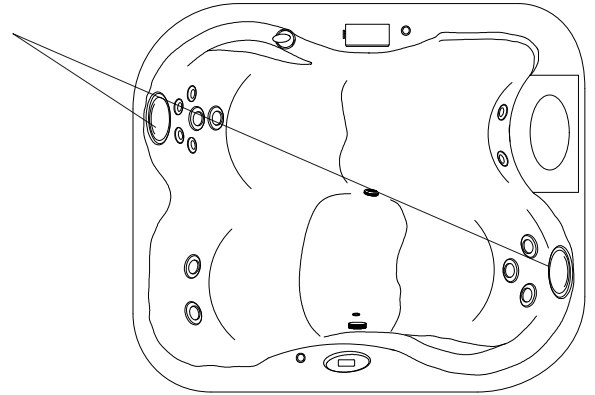
ITEM	JP #	DESCRIPTION	QTY
1	2600-301	PANEL: LED ONE PUMP	1
2	6600-086	CIRCUIT BOARD: LED J-310 (50/60Hz)	1
3*	6560-274	TRANSFORMER: PROTECH LED	1

3\* YOU MUST USE THE PLUGS FROM THE OLD TRANSFORMER FOR THE NEW ONE



PREMIUM  
J310  
PILLOW

Pillows



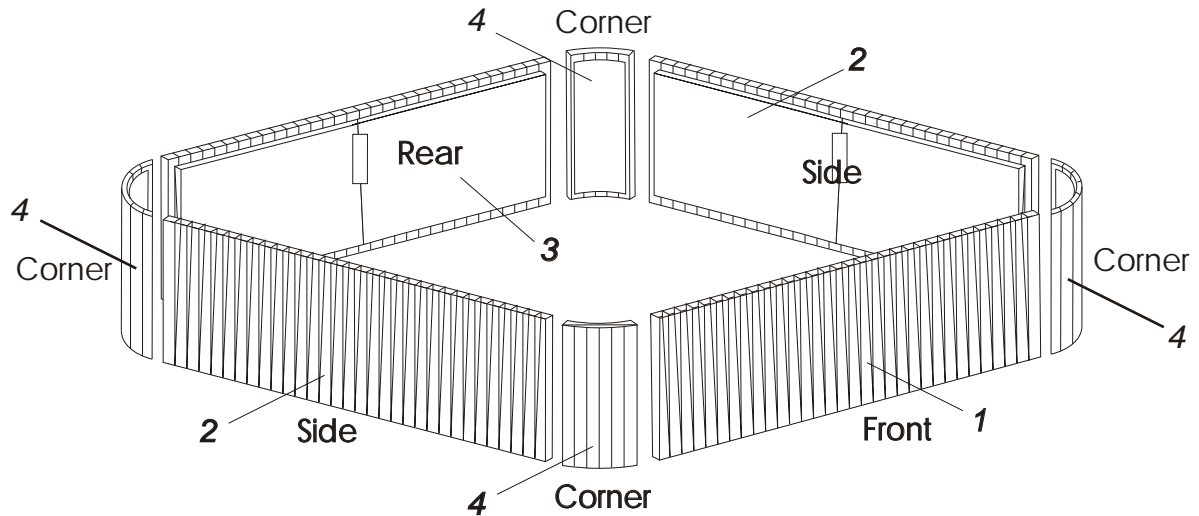
ITEM	JP #	DESCRIPTION	QTY
1	6455-006	PILLOW: JACUZZI OVAL	1
2	6455-007	INSERT: PILLOW JACUZZI	1
3	6570-231	SCREW: PILLOW ATTACHMENT	2
4	6570-233	BUSHING: PILLOW ATTACHMENT	2
N/S	6540-282	GASKET: PILLOW ATTACHMENT	2
N/S	6570-234	NUT: PILLOW ATTACHMENT	2

All diagrams are for reference only and subject to change without notice.



PREMIUM

# J310 : WOOD/SYNTHETIC CABINET



## WOOD SCREWS - 6570-135

MODEL	PANEL 1*	PANEL 2*	PANEL 3*	PANEL 4*
J310	8103-153	8103-150	8103-152	8103-151

\* YOU MUST SPECIFY COLOR OF WOOD C= COASTAL N= NATURAL S= SIERRA

## SYNTHETIC SIERRA SCREWS - 6570-301

MODEL	PANEL 1	PANEL 2	PANEL 3	PANEL 4
J310	8103-736R	8103-730R	8103-732R	8103-734R

## SYNTHETIC COASTAL SCREWS - 6570-302

MODEL	PANEL 1	PANEL 2	PANEL 3	PANEL 4
J310	8103-737G	8103-731G	8103-733G	8103-735G

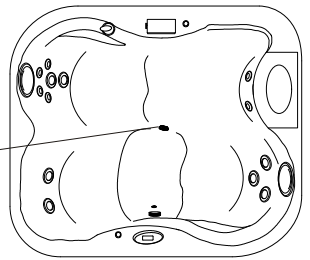
All diagrams are for reference only and subject to change without notice.





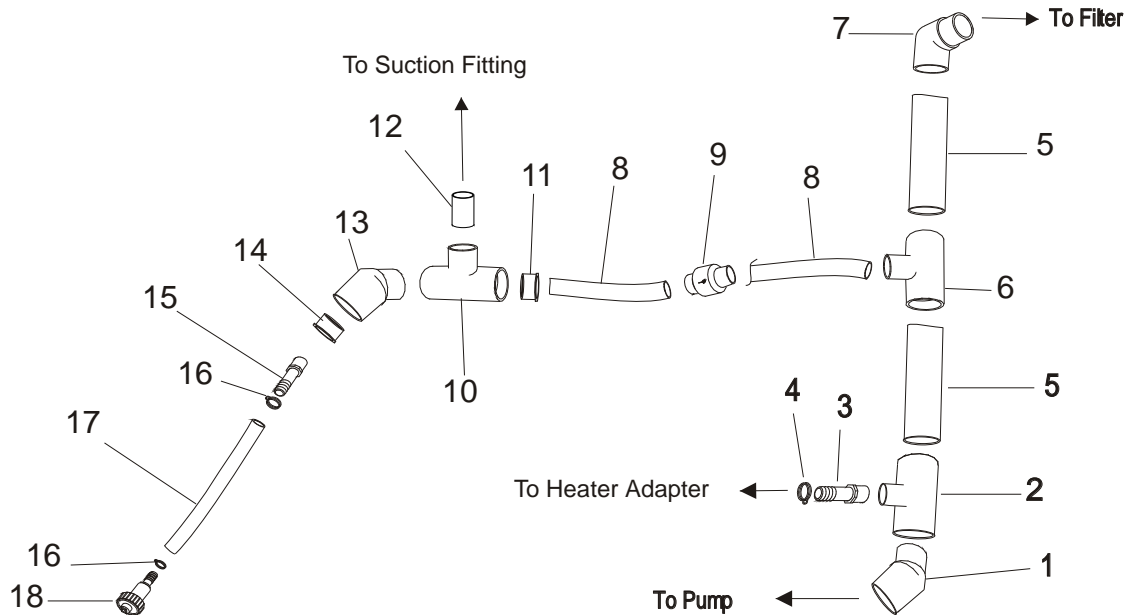
PREMIUM

J310



Suction Fitting

# SUCTION PLUMBING



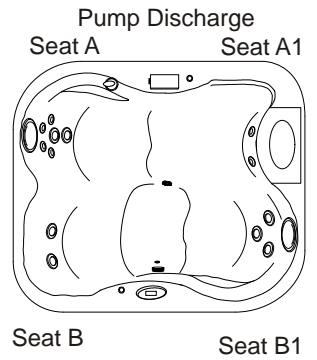
ITEM	JP #	DESCRIPTION	QTY
1	6540-194	ELBOW: STREET 2" 45° SP X S	1
2	6540-087	TEE: 2" X 2" X 3/4" S X S X S	1
3	6540-063	ADAPTER: SP X BARB 3/4" X 3/8"	1
4	6570-491	CLAMP: 3/8"	1
5	6540-420	PIPE: FLEX 2"	N/A
6	2540-130	TEE: 2" x 2" x 1" S X S X S	1
7	6540-190	ELBOW: STREET 2" 90° SP X S	1
8	6540-400	PIPE: FLEX 1"	N/A
9	6540-828	VALVE: CHECK 1" S X S 1/2LB	1
10	6540-080	TEE: 1 1/2" S X S X S	1
11	6540-170	REDUCER: 1.5" x 1" SP X S	1
12	6540-380	PIPE: RIGID 1 1/2" SCHED 40"	N/A
13	6540-195	ELBOW: 45° 1 1/2" SP X S	1
14	6540-261	REDUCER: 1 1/2" X 3/4" SP X S	1
15	6540-262	BARB: 3/4" X 3/4" BARB X SP	1
16	6570-033	CLAMP: 27MM	2
17	6540-744	PIPE: BRAIDED 3/4" CLEAR PVC	N/A
18	2540-303	VALVE: SPA DRAIN	1

All diagrams are for reference only and subject to change without notice.

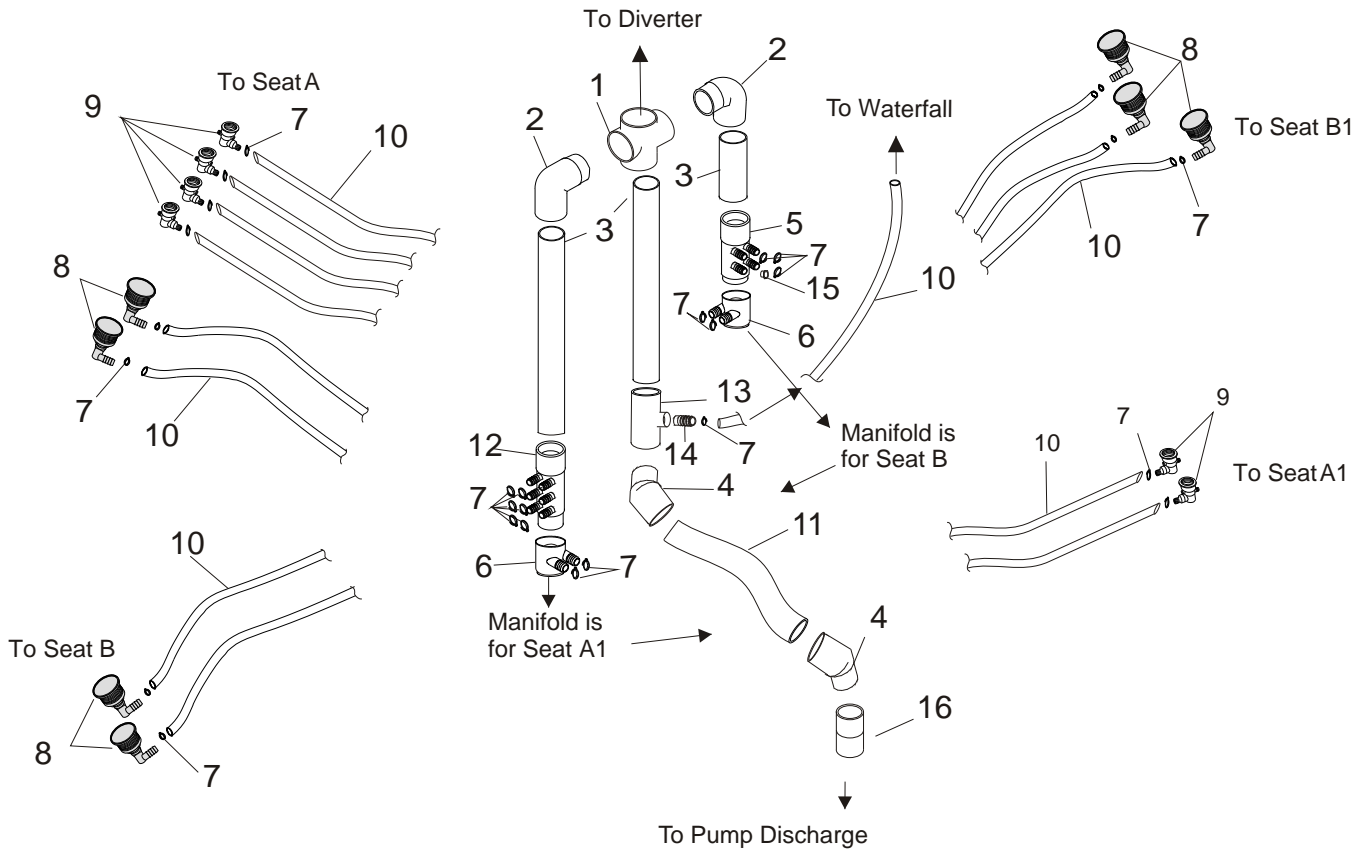


PREMIUM

J310



# DISCHARGE PLUMBING



ITEM	JP #	DESCRIPTION	QTY
1	6540-862	BODY: T VALVE	1
2	6540-190	ELBOW: STREET 2" 90° SP X S	2
3	6540-390	PIPE: RIGID 2"	N/A
4	6540-194	ELBOW: STREET 2" 45° SP X S	2
5	6540-314	MANIFOLD: WATER 4 PORT 3/4" BARB	1
6	6540-316	MANIFOLD: WATER 2 PORT BARB BLIND END	1
7	6570-033	CLAMP: 27MM	27
8	6540-761	JETBACK: POWERPRO	7
9*	6540-768	JETBACK: MINI POWERPRO	6
10	6540-744	HOSE: 3/4" CLEAR PVC	N/A
11	6540-420	PIPE: FLEX 2"	N/A
12	6540-788	MANIFOLD: WATER 6 PORT 3/4" BARB	1
13	6540-087	TEE: 2" X 2" X 3/4" S X S X S	1
14	6540-262	BARB: 3/4" X 3/4" SP	1
15	6540-060	PLUG: 1" SP	1
16	6540-210	COUPLING: 2" S X S	1

\* Depending on the manufacture date, could be part number 6540-341(started using 7-19-03)

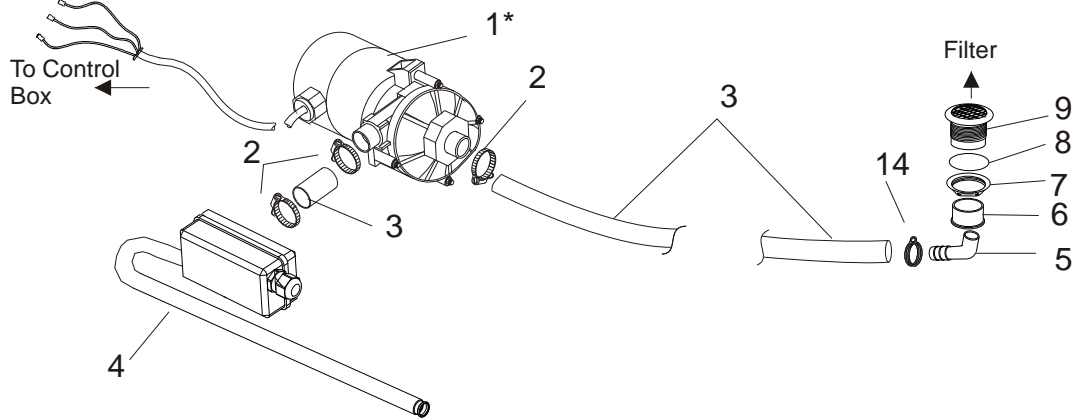
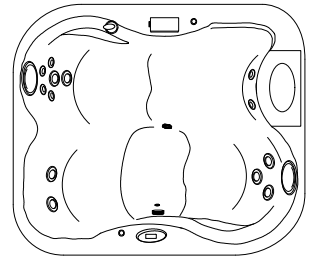


PREMIUM

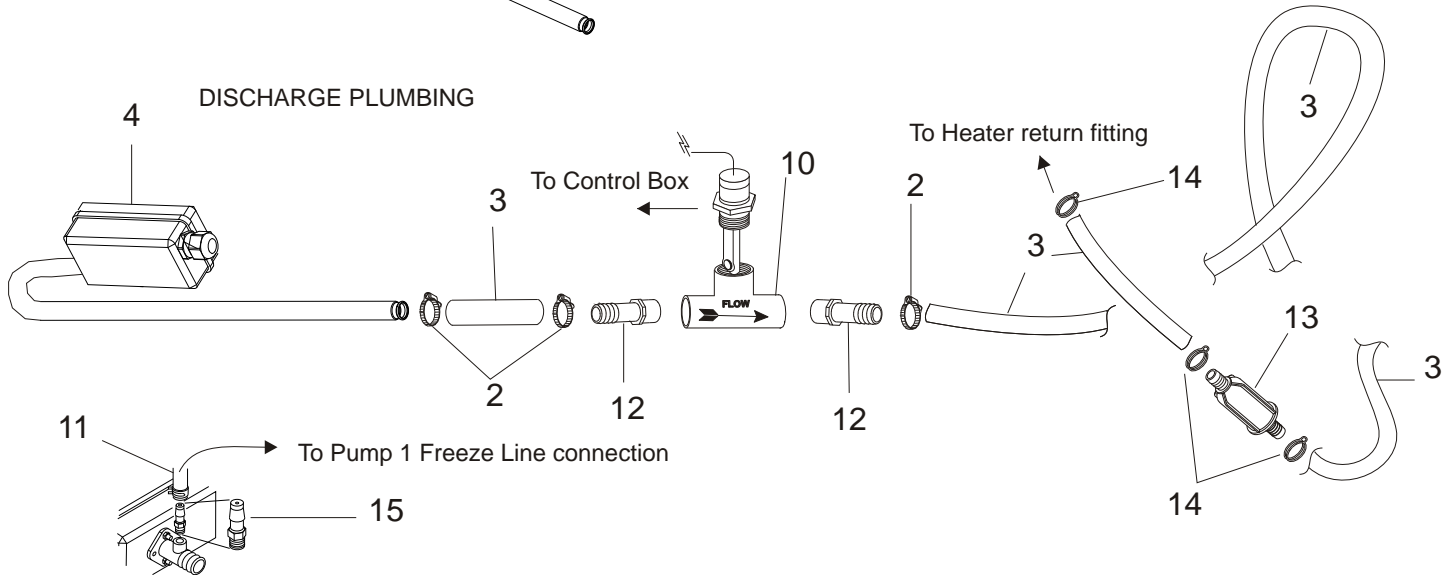
J310

# 24 HOUR CIRCULATION PUMP SYSTEM

## SUCTION PLUMBING



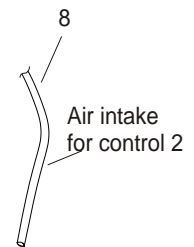
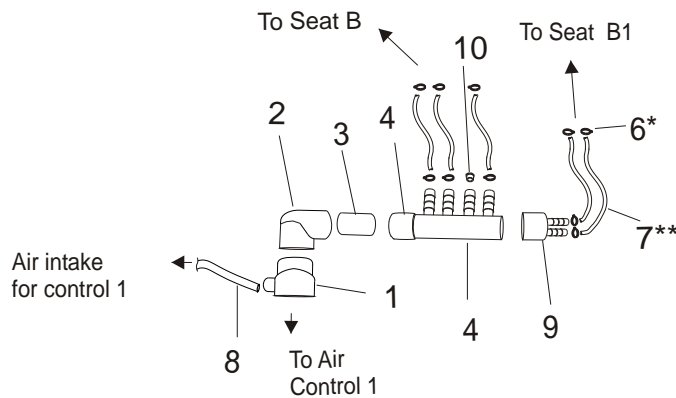
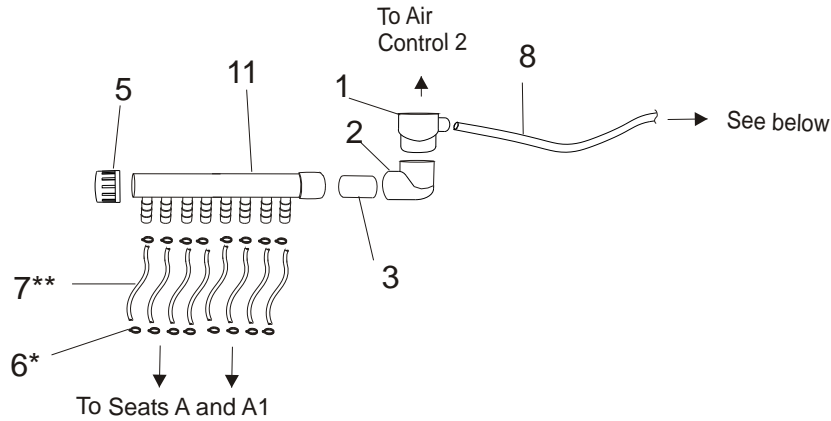
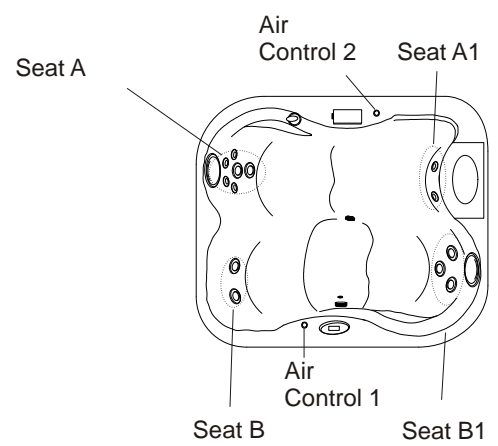
## DISCHARGE PLUMBING



ITEM	JP #	DESCRIPTION	QTY
1*	6500-038	PUMP: CIRCULATION 120V 60Hz w/CORD	1
2	6570-099	CLAMP: 3/4" STAINLESS	6
3	6540-744	HOSE: 3/4" CLEAR PVC	N/A
4	6500-063	HEATER: 1kW/4KW 120V/240V LED	1
5	6540-085	ELBOW: 1/2" SP X 3/4" BARB	1
6	6540-241	REDUCER: 2" SP X 1/2" S	1
7	6540-791	NUT: 2"	1
8	6540-511	O-RING: 2.85" I.D.	1
9	6540-167	FITTING: WALL WITH STRAINER	1
10	6560-852	SWITCH: FLOW ASSEMBLY	1
11	6540-747	HOSE: CLEAR VINYL 9/16"	N/A
12	6540-262	BARB: 3/4" X 3/4" SP	2
13	6540-727	OZONE MIXING CHAMBER	1
14	6570-033	CLAMP: 27MM	4
15	6540-034	ADAPTER: MPT 1/8 X 3/8 BARB	1

1\* **YOU HARD WIRE THE CIRCULATION PUMP TO THE BOARD.**  
 All diagrams are for reference only and subject to change without notice.

# AIR INTAKE AND DISTRIBUTION SYSTEM



ITEM	JP #	DESCRIPTION	QTY
1	6540-912	MANIFOLD: PUSH BUTTON AIR CONTROL	2
2	6540-910	ELBOW: PUSH BUTTON AIR CONTROL	2
3	6540-400	PIPE: FLEX 1"	N/A
4	6540-077	MANIFOLD: AIR 4 BARB 3/8" X 1" SLIP	1
5	6540-055	CAP: 1"	1
6*	6570-491	CLAMP: 3/8"	26
7**	6540-747	PIPE: CLEAR VINYL 9/16"	N/A
8	6540-395	PIPE: FLEX 1/2"	N/A
9	6540-130	MANIFOLD: AIR 2 BARB 3/8" X 1" SLIP	1
10	6540-101	PLUG: 1/4" SP	1
11	6540-780	MANIFOLD: AIR 8 BARB 3/8" X 1 SLIP	1

6\* ALL CLAMPS ARE 3/8"

7\*\* ALL AIR HOSES FROM AIR MANIFOLDS TO JETS ARE 9/16"

All diagrams are for reference only and subject to change without notice.