

Jacuzzi J-495

Specifications

Seating Capacity	8-9 Adults
Dimensions	91" x 110" x 37.5" Front/43.5" Back, (231.1 cm x 279.4 cm x 95.25 cm Front/110.5 cm Back); For complete dimensions, See page 95
Dry Weight	1,091 lbs (495 kg)
Filled Weight (Spa Volume)	6,679 lbs (3,030 kg)
Filled Weight (Average Fill)	5,261 lbs (2,386 kg)
Water Capacity (Spa Volume)	670 US gallons (2,536 Liters)
Water Capacity (Average Fill)	500 US gallons (1,893 Liters)
Electronic Controls	ProTouch™ 2 LCD control panel, user interface displays temperature, time, cycles and fingertip jet control. Offers customizing of pre-programmed filtration cycles, heating modes and water temperature setting.
Pump 1	North America (60 Hz): 1-Speed, 5.1 HP break, 2.5 HP continuous, 56 Frame Export (50 Hz):..... 1-Speed, 2.0 HP continuous
Pump 2	North America (60 Hz): 1-Speed, 5.1 HP break, 2.5 HP continuous, 56 Frame Export (50 Hz):..... 1-Speed, 2.0 HP continuous
Pump 3	North America (60 Hz): 1-Speed, 5.1 HP break, 2.5 HP continuous, 56 Frame Export (50 Hz):..... 1-Speed, 2.0 HP continuous
Circulation Pump	Yes, 8-Hour
Total PowerPro® Jets	71
Seat A Jets	2 PowerPro® NX2, 2 PowerPro® FX, 5 PowerPro® RX
Seat B Jets	1 PowerPro® FX Large Rotational
Seat C Jets	2 PowerPro® NX2, 6 PowerPro® RX, 2 PowerPro® FX Directional, 2 PowerPro® PX, 4 PowerPro® FX
Seat D Jets	2 PowerPro® FX Large Rotational
Seat E Jets	2 PowerPro® NX2, 4 PowerPro® FX Rotational, 6 PowerPro® FX, 2 PowerPro® PX, 2 PowerPro® FX Directional
Seat F Jets	4 PowerPro® FX, 4 PowerPro® RX
Seat G Jet	2 PowerPro® NX2, 3 PowerPro® MX
Footwell (H)	14 PowerPro® FX Small
Massage Selectors	2
Air Controls	5
Water Management System	One ProClarity® 40 ft ² filter cartridge and 1 ProClarity® depth load filter on 8-hour circulation pump; one ProCatch® bag with ProClear® 60 ft ² filter; Floating Weir; Factory installed CLEARARRAY® Water Purification System Export (50 Hz):..... Factory installed CLEARARRAY® Water Purification System
LED Lighting	Waterfall light, massage selectors, cupholders, underwater, indicator light, and OPTIONAL exterior lights
ProFinish™ Cabinet Colors	Modern Hardwood, Brushed Gray, and Smoked Ebony
Acrylic Colors	Platinum, Silver Pearl (Gypsum), Sahara, Desert Sand, Midnight, Monaco, Porcelain
Headrests	4
Waterfalls	Two with independent flow rate (on or off) adjustment; powered by 8-hour circulation pump
Electrical Requirements:	North America (60 Hz): 240 VAC@40A, 50A, or 60A Export (50 Hz): 230-240 VAC@ 1x32A, 1x40A, 1x32A/1x16A, 1x16A/1x16A/1x16A or suitably rated circuit breaker to comply with local electrical codes. Certain countries may require dual power inputs; two GFCI RCD breakers are required for this configuration.
Warranty*	North America (60 Hz): 10 Years Shell, 7 Years Shell Surface, 5 Years Plumbing Component Leaks, 5 Years Equipment and Controls, 5 Years Cabinet, 2 Years Jets, 2 Years Lights, 1 Year Stereo; Export (50 Hz): 10 Years Shell, 7 Years Shell Surface, 5 Years Plumbing Component Leaks, 5 Years Equipment and Controls, 5 Years Cabinet, 2 Years Jets, 2 Years Lights, 2 Years Stereo
Special Features (Optional)	SmartTub™ Module, Exterior lights
Audio System (Optional)	BLUEWAVE® Spa Stereo System with Bluetooth capability and Aux 3.5 mm headphone jack port; 4 premium speakers, a powered subwoofer

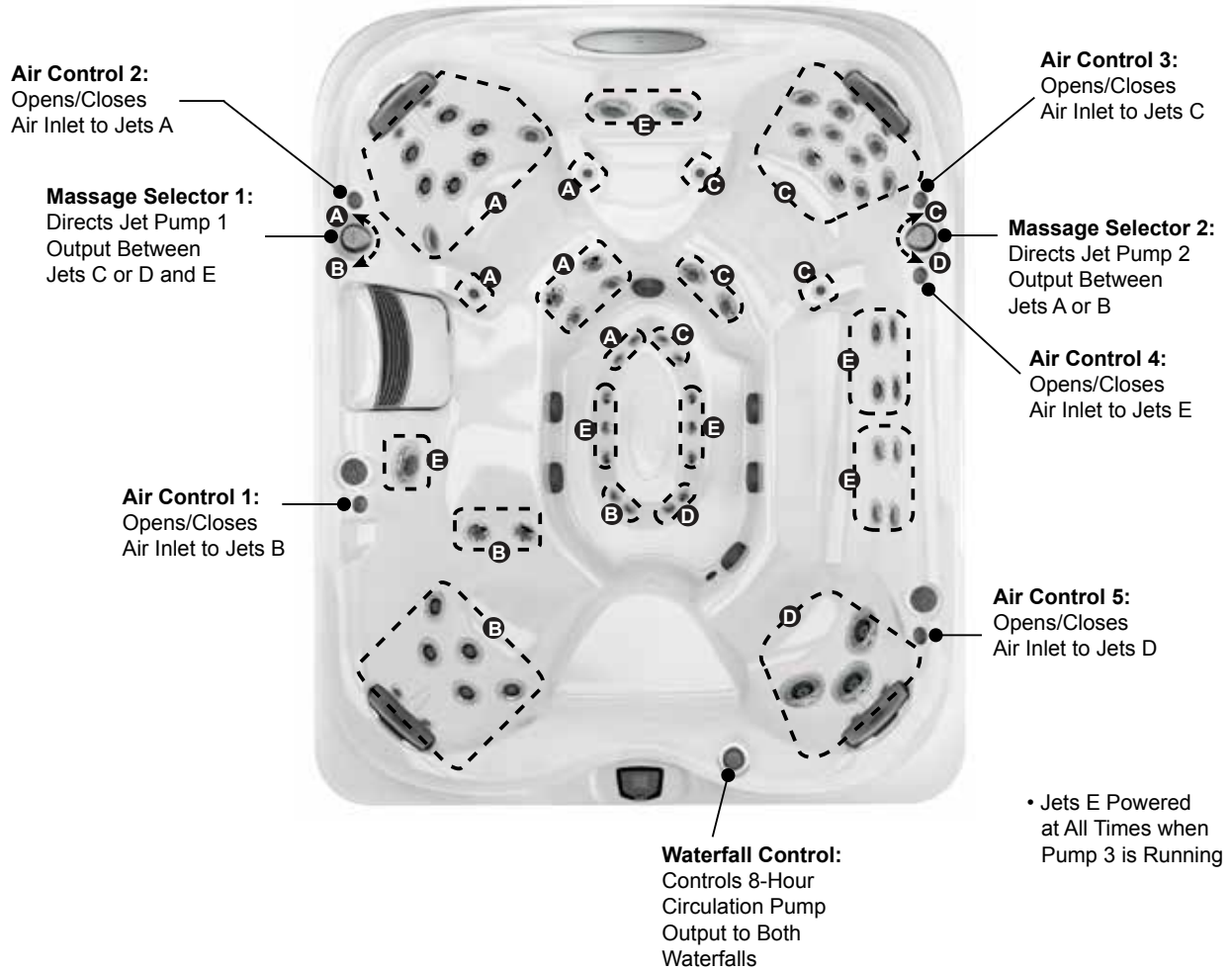


*(See Warranty Document for Specific Details)

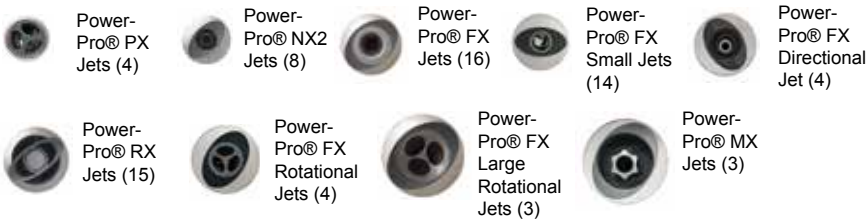
Dimensions/Specifications are Subject to Change Without Notice

Jacuzzi J-495

Massage Selector/Air Control Diagram



71 Total Jets



Spa Operation Subject to Change without Notice

Seat Depths

- A = 27.75" (70.49 cm)**
- B = 18.75" (47.63 cm)**
- C = 29.00" (73.66 cm)**
- D = 19.00" (73.03 cm)**
- E = 27.00" (68.58 cm)**
- F = 23.00" (58.42 cm)**

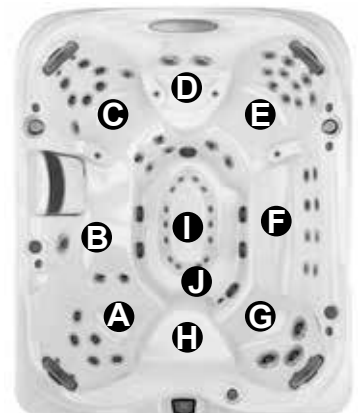
- G = 25.50" (64.77 cm)**
- H = 17.75" (45.09 cm)**
- I = 30.75" (78.11 cm)**
- J = 33.00" (83.82 cm)**

Listed dimensions represent distance from top of acrylic to lowest point in seat. **Tolerance ± 0.5" (1.27 cm).**



Front

Back

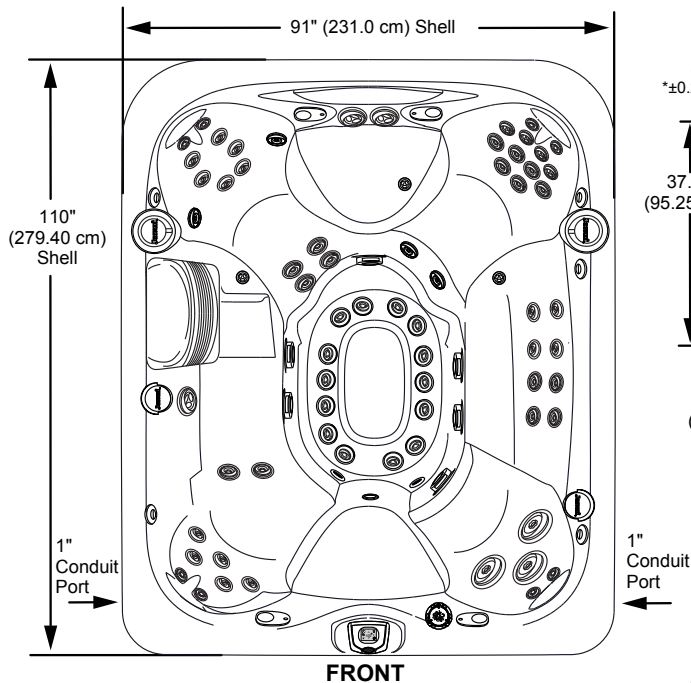


Dimensions/Specifications are Subject to Change Without Notice

Jacuzzi J-495

Dimensions

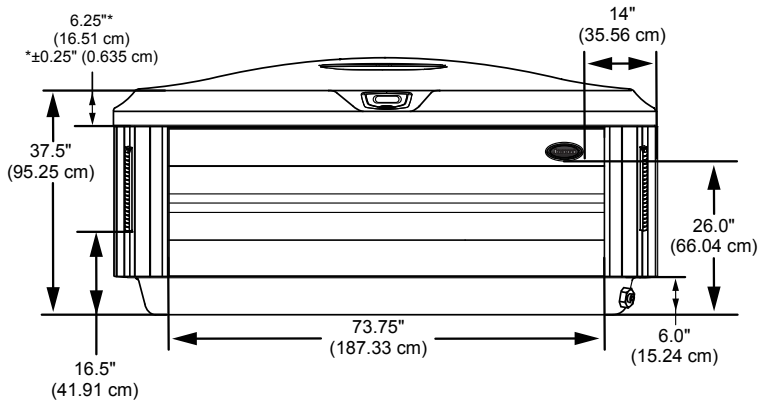
TOP VIEW



Equipment Bay/Pump Access
CLEARRAY, Optional BLUEWAVE®,
and Optional SmartTub System
located behind the cabinet

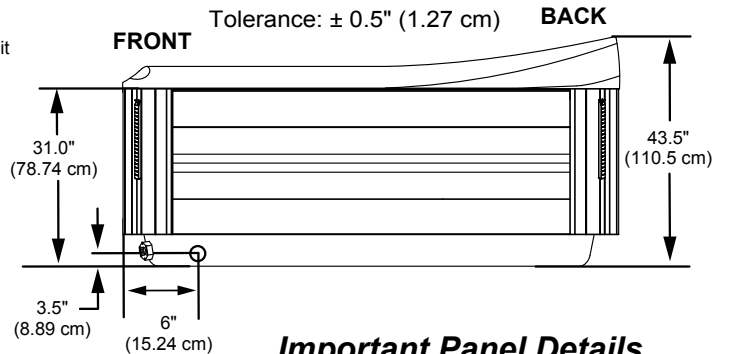
FRONT VIEW

Tolerance: $\pm 0.5"$ (1.27 cm)



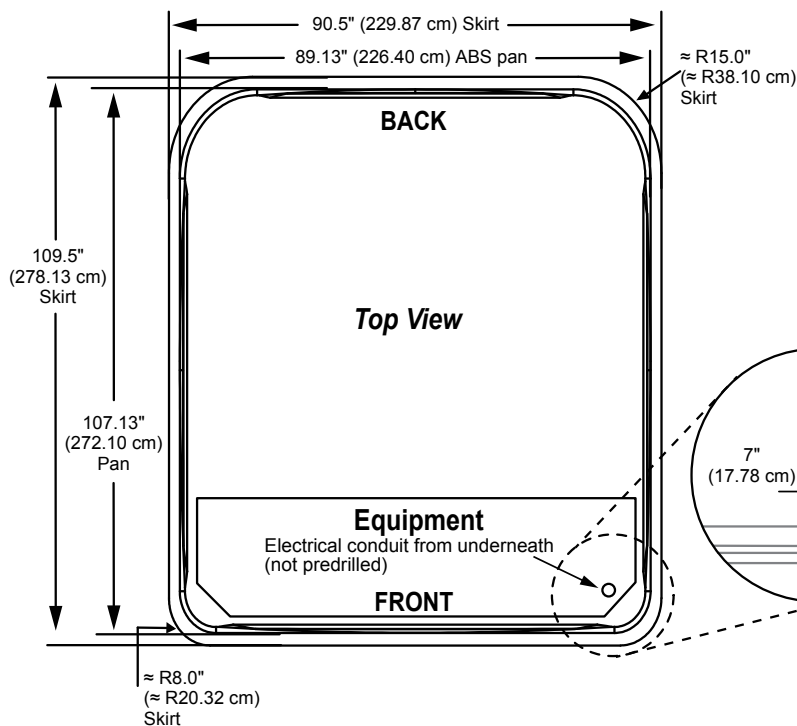
RIGHT SIDE VIEW

Tolerance: $\pm 0.5"$ (1.27 cm)



Important Panel Details

NOTE: Over time the panel(s) may bow, this is considered normal. The panels will straighten out when reinstalled into the mounting channel. Place one end of the panel into the channel first then flatten the panel and insert the other end.



IMPORTANT! Always measure each hot tub for exact dimensions **BEFORE** designing its foundational support and/or decking.



Dimensions/specifications subject to change without notice. Tolerance $\pm 0.5"$ (1.27 cm)