


# Jacuzzi J-335

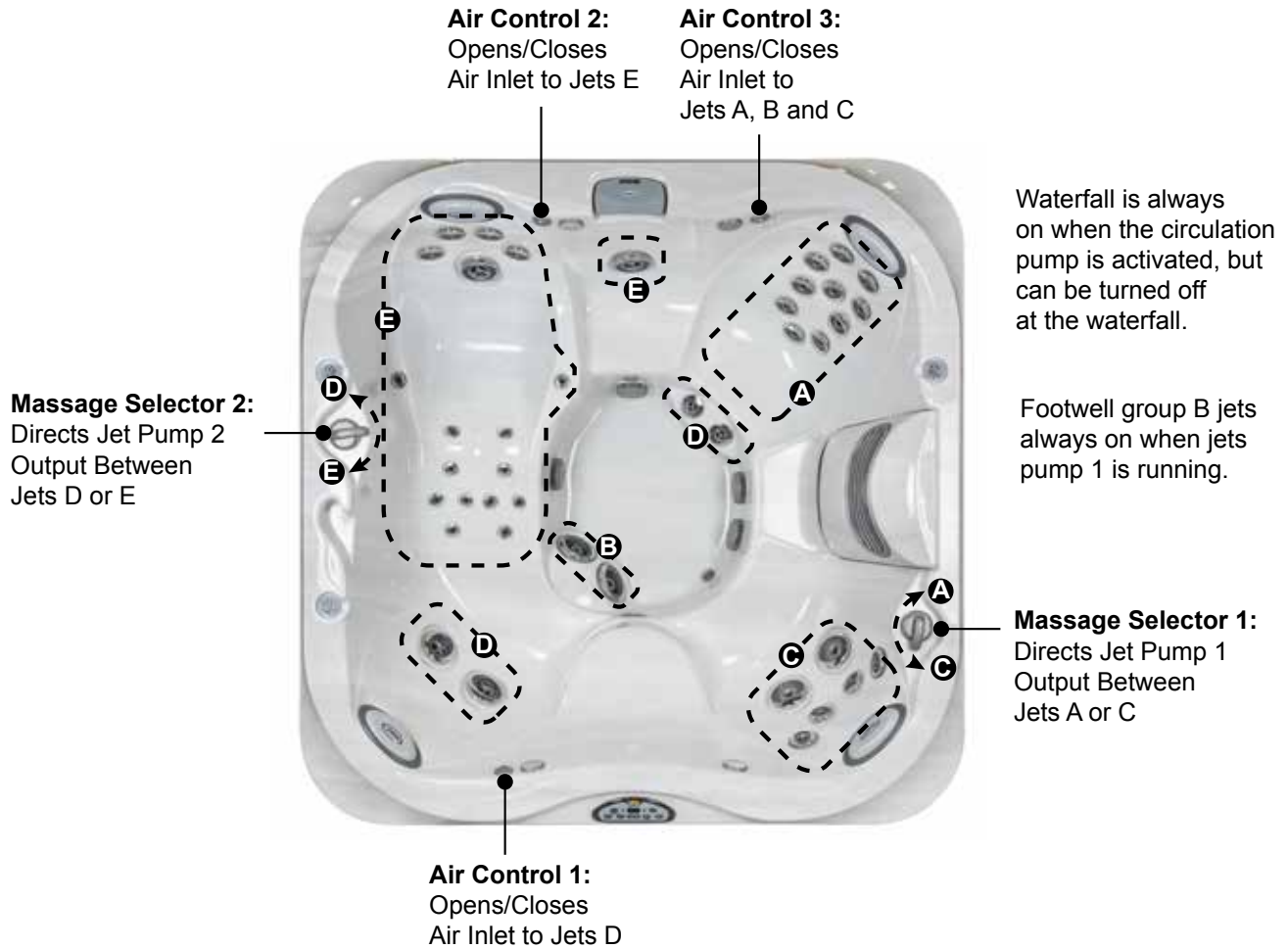
|  |   |   |
|--|---|---|
| <b>Seating Capacity</b> .....              | 4-5 Adults  |  |
| <b>Dimensions</b> .....                    | 84" x 84" x 36" (213.5 cm x 213.5 cm x 91.5 cm);<br><b>For Complete Dimensions, See page 80</b>   |   |
| <b>Dry Weight</b> .....                    | 754 lbs (342 kg)  |   |
| <b>Filled Weight (Spa Volume)</b> .....    | 4,507 lbs (2,044 kg)  |   |
| <b>Filled Weight (Average Fill)</b> .....  | 3,756 lbs (1,704 kg)  |   |
| <b>Water Capacity (Spa Volume)</b> .....   | 450 US gallons (1,703 Liters)   |   |
| <b>Water Capacity (Average Fill)</b> ..... | 360 US gallons (1,363 Liters)   |   |
| <b>Electronic Controls</b> .....           | Solid state electronic controls with LCD readout, programmable temperature, filtration, and heat cycles   |   |
| <b>Pump 1</b> .....                        | North America (60 Hz): 1-Speed, 4.8 HP brake, 2.5 HP continuous, 56 Frame<br><b>Export (50 Hz):.....1-Speed, 2.0 HP continuous</b>  |   |
| <b>Pump 2</b> .....                        | North America (60 Hz): 1-Speed, 4.8 HP brake, 2.5 HP continuous, 56 Frame<br><b>Export (50 Hz):.....1-Speed, 2.0 HP continuous</b>  |   |
| <b>Circulation Pump</b> .....              | Yes, 8-hour   |   |
| <b>Heater</b> .....                        | North America (60 Hz): 5.5 kW High Flow<br><b>Export (50 Hz).....2.7 kW High Flow</b>   |   |
| <b>Total PowerPro Jets</b> .....           | 40  |   |
| <b>Seat A Jets</b> .....                   | 2 PowerPro FX Large Rotational  |   |
| <b>Seat B Jets</b> .....                   | 4 PowerPro FX, 1 PowerPro FX Large Rotational, 12 PowerPro BX   |   |
| <b>Seat C Jets</b> .....                   | 1 PowerPro FX Large Rotational  |   |
| <b>Seat D Jets</b> .....                   | 10 PowerPro FX, 2 PowerPro FX Rotational  |   |
| <b>Seat E Jets</b> .....                   | 2 PowerPro FX, 2 PowerPro FX Rotational, 2 PowerPro FX Large  |   |
| <b>Footwell (F)</b> .....                  | 2 PowerPro MX2  |   |
| <b>Massage Selectors</b> .....             | 2   |   |
| <b>Air Controls</b> .....                  | 3, On/Off rocker style  |   |
| <b>Water Management System</b> .....       | Two 60 ft <sup>2</sup> filter cartridges; filter 1 on 8-hour circulation pump; filter 2 on jets pump 1; Factory installed CLEARRAY® Water Purification System<br><b>Export (50 Hz):.....Factory installed CLEARRAY® Water Purification System</b>   |   |
| <b>LED Lighting</b> .....                  | One underwater light with 4 color modes, one colored waterfall lights, cup holders, and backlit pillow insert with logo   |   |
| <b>Synthetic Cabinet Colors</b> .....      | Silverwood, Roasted Chestnut, Brazilian Teak  |   |
| <b>Acrylic Colors</b> .....                | Platinum, Silver Pearl, Sahara, Opal, Desert Sand, Monaco, Midnight, Caribbean Surf, Sandstone, Porcelain   |   |
| <b>Headrests</b> .....                     | 4   |   |
| <b>Waterfall</b> .....                     | One independent flow rate (on or off) adjustment; powered by the circulation pump   |   |
| <b>Electrical Requirements:</b> .....      | North America (60 Hz): 240 VAC@40A, 50A, or 60A<br><b>Export (50 Hz): 230-240 VAC@20A, 30A or 40A, or suitably rated circuit breaker to comply with local electrical codes. Certain countries may require dual power inputs; two GFCI RCD breakers are required for this configuration.</b>   |   |
| <b>Warranty*</b> .....                     | North America (60 Hz): 10 Years Shell, 7 Years Shell Surface, 5 Years Plumbing Component Leaks, 5 Years Equipment and Controls, 5 Years Cabinet, 2 Years Jets, 2 Years Lights, 1 Year Stereo;<br><b>Export (50 Hz): 10 Years Shell, 7 Years Shell Surface, 2 Years Plumbing Component Leaks, 2 Years Equipment and Controls, 2 Years Cabinet, 2 Years Jets, 2 Years Lights, 1 Year Stereo</b> |   |
| <b>Special Features (Optional)</b> .....   | ProLink™ remote monitoring system   |   |
| <b>Audio System (Optional)</b> .....       | BLUEWAVE® Spa Stereo System (MP3/iPod®/FM/Bluetooth/Aux compatible) with four speakers and subwoofer, auxiliary headphone jack, USB port connections and standard wireless RF remote  |   |

\*(See Warranty Document for Specific Details)

Dimensions/Specifications are Subject to Change Without Notice

# Jacuzzi J-335

## Massage Selector/Air Control Diagram



### 40 Total Jets



Spa Operation Subject to Change without Notice

## Seat Depths

**A = 25.75" (65.4 cm)**  
**B = 27.50" (69.9 cm)**  
**C = 23.50" (59.7 cm)**  
**D = 28.25" (71.8 cm)**  
**E = 22.75" (57.8 cm)**

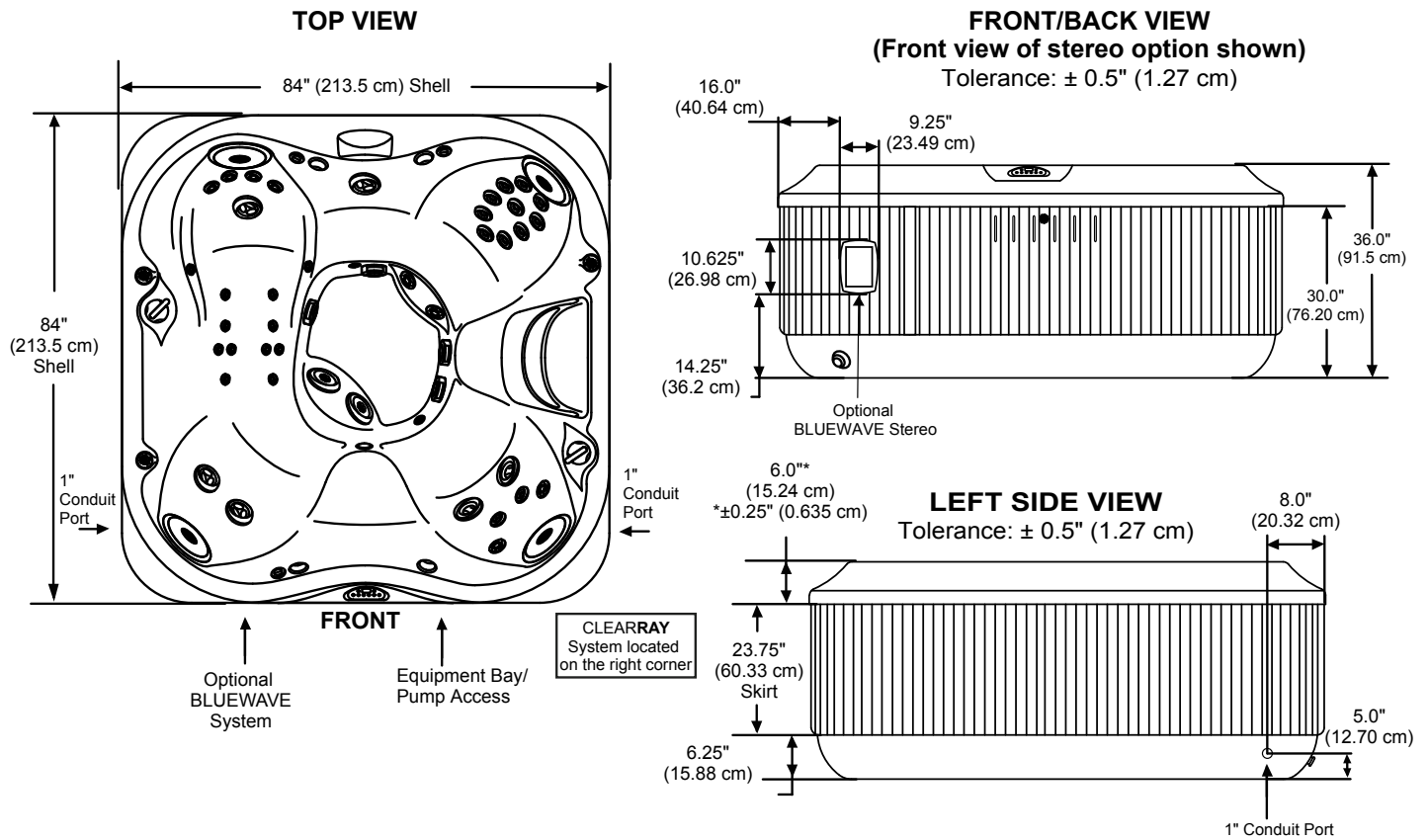
**F = 25.50" (64.8 cm)**  
**G = 16.75" (42.5 cm)**  
**H = 33.50" (85.1 cm)**

Listed dimensions represent distance from top of acrylic to lowest point in seat.  
 Tolerance  $\pm 0.5"$  (1.27 cm).

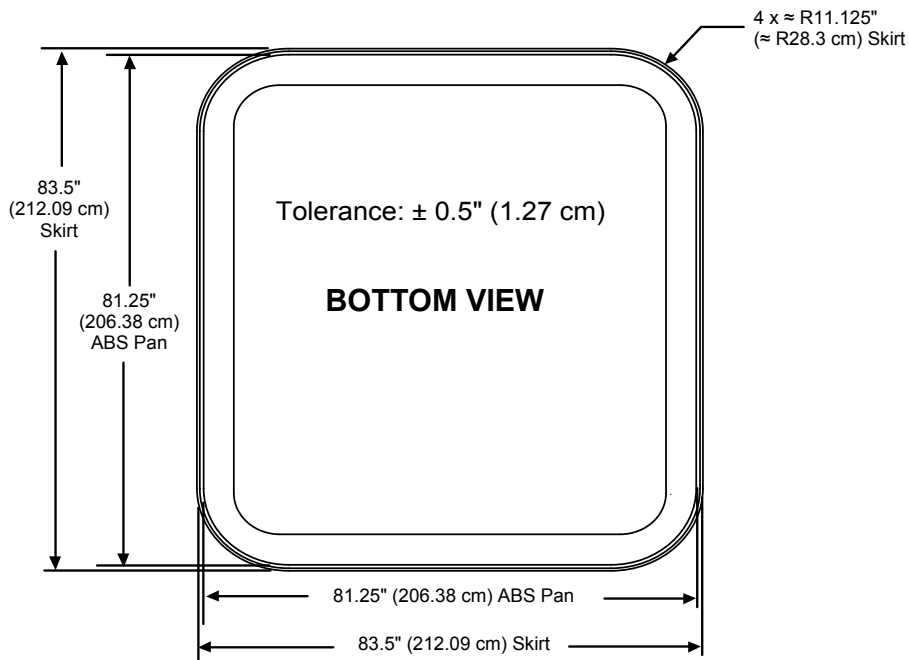


Dimensions/Specifications are Subject to Change Without Notice

# Jacuzzi J-335



**IMPORTANT! Always measure each hot tub for exact dimensions BEFORE designing its foundational support and/or decking.**



Dimensions/specifications subject to change without notice. Tolerance:  $\pm 0.5"$  (1.27 cm)