


# Jacuzzi J-345

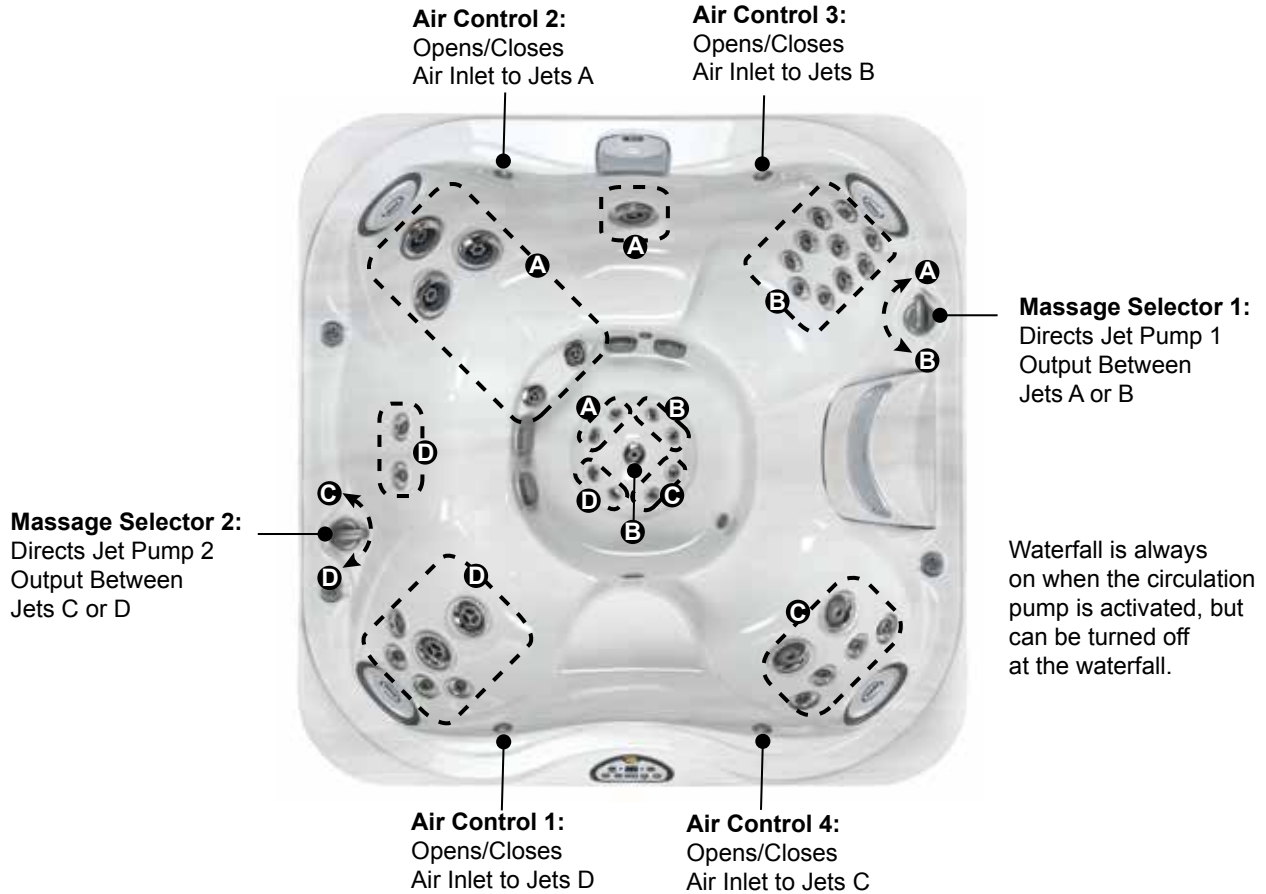
|  |  |   |
|--|--|---|
| <b>Seating Capacity</b> .....              | 5-6 Adults   |  |
| <b>Dimensions</b> .....                    | 84" x 84" x 36" (213.5 cm x 213.5 cm x 91.5 cm);<br><b>For Complete Dimensions, See page 80</b>  |   |
| <b>Dry Weight</b> .....                    | 825 lbs (374 kg)   |   |
| <b>Filled Weight (Spa Volume)</b> .....    | 4,661 lbs (2,114 kg)   |   |
| <b>Filled Weight (Average Fill)</b> .....  | 3,850 lbs (1,746 kg)   |   |
| <b>Water Capacity (Spa Volume)</b> .....   | 460 US gallons (1,741 Liters)  |   |
| <b>Water Capacity (Average Fill)</b> ..... | 370 US gallons (1,401 Liters)  |   |
| <b>Electronic Controls</b> .....           | Solid state electronic controls with LCD readout, programmable temperature, filtration, and heat cycles  |   |
| <b>Pump 1</b> .....                        | North America (60 Hz): 1-Speed, 4.8 HP brake, 2.5 HP continuous, 56 Frame<br><b>Export (50 Hz):.....1-Speed, 2.0 HP continuous</b>   |   |
| <b>Pump 2</b> .....                        | North America (60 Hz): 1-Speed, 4.8 HP brake, 2.5 HP continuous, 56 Frame<br><b>Export (50 Hz):.....1-Speed, 2.0 HP continuous</b>   |   |
| <b>Circulation Pump</b> .....              | Yes, 8-hour  |   |
| <b>Heater</b> .....                        | North America (60 Hz): 5.5kW High Flow<br><b>Export (50 Hz).....2.7kW High Flow</b>  |   |
| <b>Total PowerPro Jets</b> .....           | 39   |   |
| <b>Seat A Jets</b> .....                   | 4 PowerPro FX, 2 PowerPro FX Large Rotational, 2 PowerPro FX Small   |   |
| <b>Seat B Jets</b> .....                   | 2 PowerPro FX  |   |
| <b>Seat C Jets</b> .....                   | 3 PowerPro MX2, 2 PowerPro FX Rotational, 2 PowerPro FX Small  |   |
| <b>Seat D Jets</b> .....                   | 1 PowerPro FX Large Rotational   |   |
| <b>Seat E Jets</b> .....                   | 10 PowerPro FX, 2 PowerPro FX Small  |   |
| <b>Seat F Jets</b> .....                   | 2 PowerPro FX Large, 2 PowerPro FX Rotational, 2 PowerPro FX, 2 PowerPro FX Small  |   |
| <b>Footwell (G)</b> .....                  | 8 PowerPro FX Small, 1 PowerPro FX   |   |
| <b>Massage Selectors</b> .....             | 2  |   |
| <b>Air Controls</b> .....                  | 4, On/Off rocker style   |   |
| <b>Water Management System</b> .....       | Two 60 ft <sup>2</sup> filter cartridges; filter 1 on 8-hour circulation pump; filter 2 on jets pump 1; Factory installed CLEARRAY® Water Purification System)<br><b>Export (50 Hz):.....Factory installed CLEARRAY® Water Purification System</b>   |   |
| <b>LED Lighting</b> .....                  | One underwater light with 4 color modes, one colored waterfall lights, cup holders, and backlit pillow insert with logo  |   |
| <b>Synthetic Cabinet Colors</b> .....      | Silverwood, Roasted Chestnut, Brazilian Teak   |   |
| <b>Acrylic Colors</b> .....                | Platinum, Silver Pearl, Sahara, Opal, Desert Sand, Monaco, Midnight, Caribbean Surf, Sandstone, Porcelain  |   |
| <b>Headrests</b> .....                     | 4  |   |
| <b>Waterfall</b> .....                     | One independent flow rate (on or off) adjustment; powered by the circulation pump  |   |
| <b>Electrical Requirements:</b> .....      | North America (60 Hz): 240 VAC@40A, 50A, or 60A<br><b>Export (50 Hz): 230-240 VAC@20A, 30A or 40A, or suitably rated circuit breaker to comply with local electrical codes. Certain countries may require dual power inputs; two GFCI RCD breakers are required for this configuration.</b>  |   |
| <b>Warranty*</b> .....                     | <b>North America (60 Hz):</b> 10 Years Shell, 7 Years Shell Surface, 5 Years for Plumbing Component Leaks, 5 Years Equipment and Controls, 5 Years Cabinet, 2 Years Jets, 2 Years Lights, 1 Year Stereo;<br><b>Export (50 Hz): 10 Years Shell, 7 Years Shell Surface, 2 Years Plumbing Component Leaks, 2 Years Equipment and Controls, 2 Years Cabinet, 2 Years Jets, 2 Years Lights, 1 Year Stereo</b> |   |
| <b>Special Features (Optional)</b> .....   | ProLink™ remote monitoring system  |   |
| <b>Audio System (Optional)</b> .....       | BLUEWAVE® Spa Stereo System (MP3/iPod®/FM/Bluetooth/Aux compatible) with four speakers and subwoofer, auxiliary headphone jack, USB port connections and standard wireless RF remote   |   |

\*(See Warranty Document for Specific Details)

Dimensions/Specifications are Subject to Change Without Notice

# Jacuzzi J-345

## Massage Selector/Air Control Diagram



### 39 Total Jets



Spa Operation Subject to Change without Notice

## Seat Depths

**A = 25.25" (64.1 cm)**

**B = 25.25" (64.1 cm)**

**C = 25.13" (63.8 cm)**

**D = 23.50" (59.7 cm)**

**E = 28.50" (72.4 cm)**

**F = 25.13" (63.8 cm)**

**G = 16.75" (42.5 cm)**

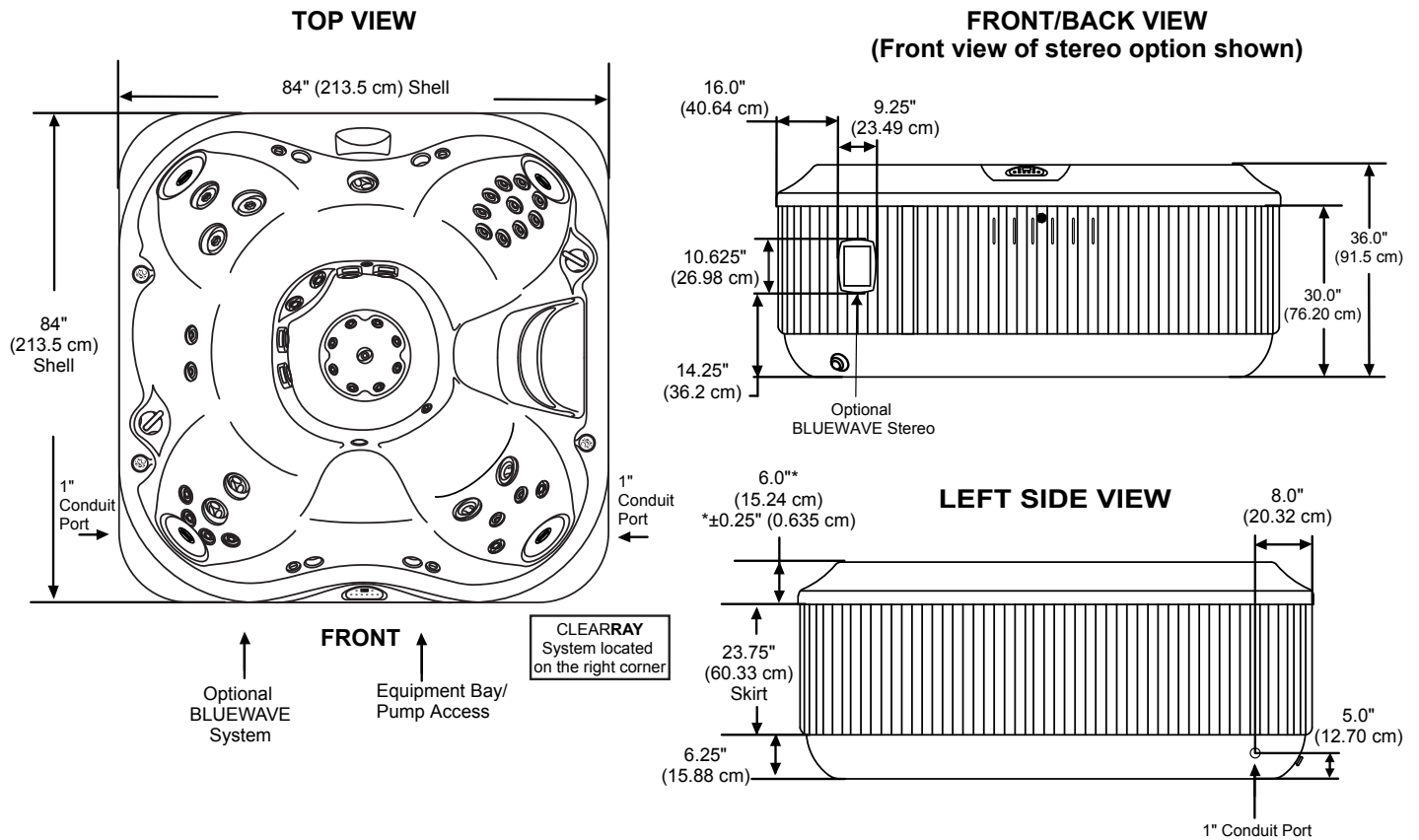
**H = 33.5" (85.1 cm)**

Listed dimensions represent distance from top of acrylic to lowest point in seat. Tolerance  $\pm 0.5"$  (1.27 cm).

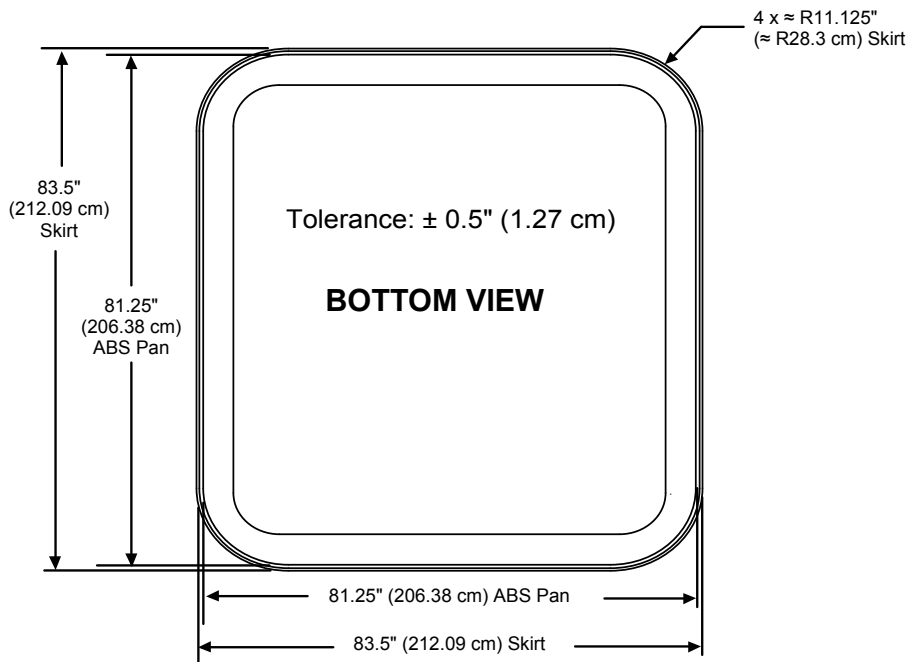


Dimensions/Specifications are Subject to Change Without Notice

# Jacuzzi J-345



**IMPORTANT! Always measure each hot tub for exact dimensions BEFORE designing its foundational support and/or decking.**



Dimensions/specifications subject to change without notice. Tolerance: ± 0.5" (1.27 cm)